

Intel® Quark™ SE Microcontroller C1000 Power Sequencing Considerations

Application Note

February 2017



You may not use or facilitate the use of this document in connection with any infringement or other legal analysis concerning Intel products described herein. You agree to grant Intel a non-exclusive, royalty-free license to any patent claim thereafter drafted which includes subject matter disclosed herein.

No license (express or implied, by estoppel or otherwise) to any intellectual property rights is granted by this document.

All information provided here is subject to change without notice. Contact your Intel representative to obtain the latest Intel product specifications and roadmaps.

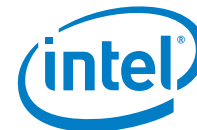
The products described may contain design defects or errors known as errata which may cause the product to deviate from published specifications. Current characterized errata are available on request.

Copies of documents which have an order number and are referenced in this document may be obtained by calling 1-800-548-4725 or by visiting: <http://www.intel.com/design/literature.htm>

Intel, Quark, and the Intel logo are trademarks of Intel Corporation in the U.S. and/or other countries.

*Other names and brands may be claimed as the property of others.

Copyright © 2017, Intel Corporation. All rights reserved.



Contents

1.0	Introduction	4
1.1	Power Sequencing Failure	4
2.0	Ensuring Correct OPM2P6 Discharge	5
2.1	OPM2P6_VOUT Rail Discharge Concept.....	5
2.2	Application Schematic of a Proposed Implementation.....	6
2.3	Alternate Implementation using POWER GOOD (PG) Signal to Control VSYS and OPM2P6_VOUT Discharge	8

Figures

Figure 1.	Intel® Quark™ SE Microcontroller C1000 Power Sequencing	4
Figure 2.	Intel® Quark™ SE Microcontroller C1000 with OPM2P6_VOUT Discharge	5
Figure 3.	Schematic Connectivity of Implementation	6
Figure 4.	Operation of Circuitry Controlling OPM2P6_VOUT Discharge During a Power Cycle	7

Revision History

Date	Revision	Description
February 2017	002	Silego part number updated (new specific part number for ATP1).
November 2016	001	Initial release.

1.0 Introduction

1.1 Power Sequencing Failure

If the voltage transition on the power supply pin (VSYS) of the Intel® Quark™ SE Microcontroller C1000 causes a power down followed by a power up sequence before its internal reference voltage OPM2P6_VOUT drops below 100mV, an incorrect power sequence may occur. If an incorrect power sequence happens the device may enter an indeterminate state in which the correct operation of the device is not guaranteed.

The reference voltage OPM2P6_VOUT must remain below 100mV at the start of a power up sequence. If not, certain internal signals within the Intel® Quark™ SE Microcontroller C1000 might not initialize correctly. [Figure 1](#) illustrates the sequence of events during a power up cycle for both a normal and incorrect power sequence:

- VSYS – main input power rail (Pin: K2, L1, L2, M2)
- OPM2P6_VOUT – 2.6V reference voltage output (Pin: J1)
- VCC_AON_1P8 – 1.8V AON Domain Supply input (Pin: H4, H5)
- VCC_HOST_1P8 – 1.8V power to HOST generated by regulator ESR3 (ESR3 Inductor out / Host QLR Pin K6 to J7, K7, L7 Inputs)

Figure 1. Intel® Quark™ SE Microcontroller C1000 Power Sequencing

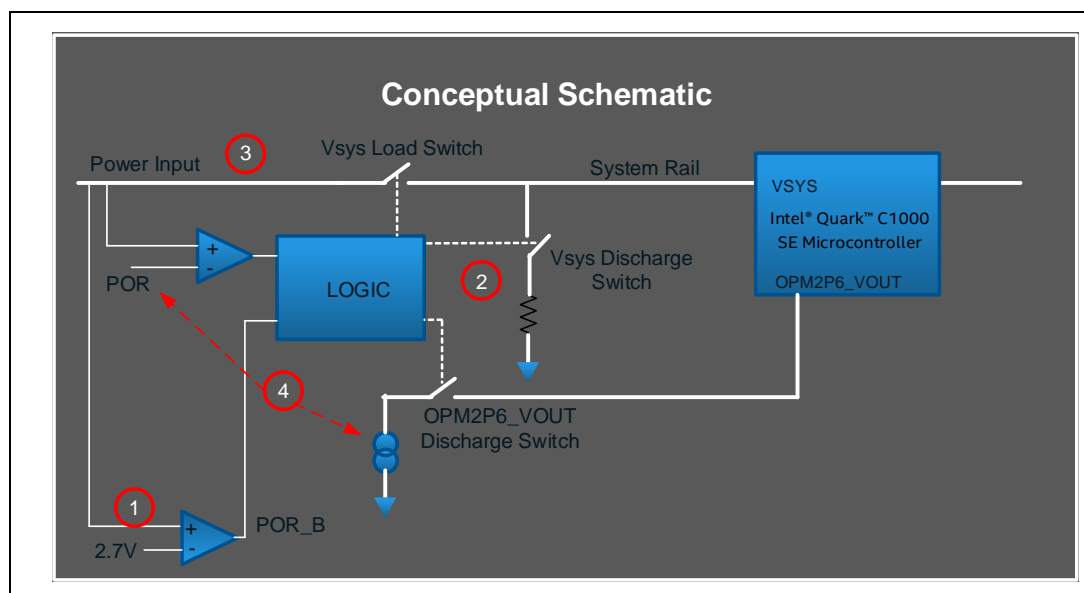


Intel's recommendation is to ensure that OPM2P6_VOUT node is discharged to ground (zero volts) before a power up cycle. The subsequent sections in this document describe the generic implementation needed to ensure a correct power sequence, followed by a detailed example.

2.0 Ensuring Correct OPM2P6 Discharge

2.1 OPM2P6_VOUT Rail Discharge Concept

Figure 2. Intel® Quark™ SE Microcontroller C1000 with OPM2P6_VOUT Discharge



The block diagram shown in [Figure 2](#) shows the conceptual solution to ensure the correct OPM2P6_VOUT discharge is achieved by using a voltage monitor, a load switch and active discharge circuitry. Operation of the circuit is achieved by using two voltage thresholds:

- POR_B – Generates a falling edge (high to low transition) that indicates input power supply to the Intel® Quark™ SE Microcontroller C1000 has dropped below 2.7V.
- POR – Power up threshold for the system. Its voltage value needs to be selected based on desired hysteresis from 2.7V to meet system requirements.

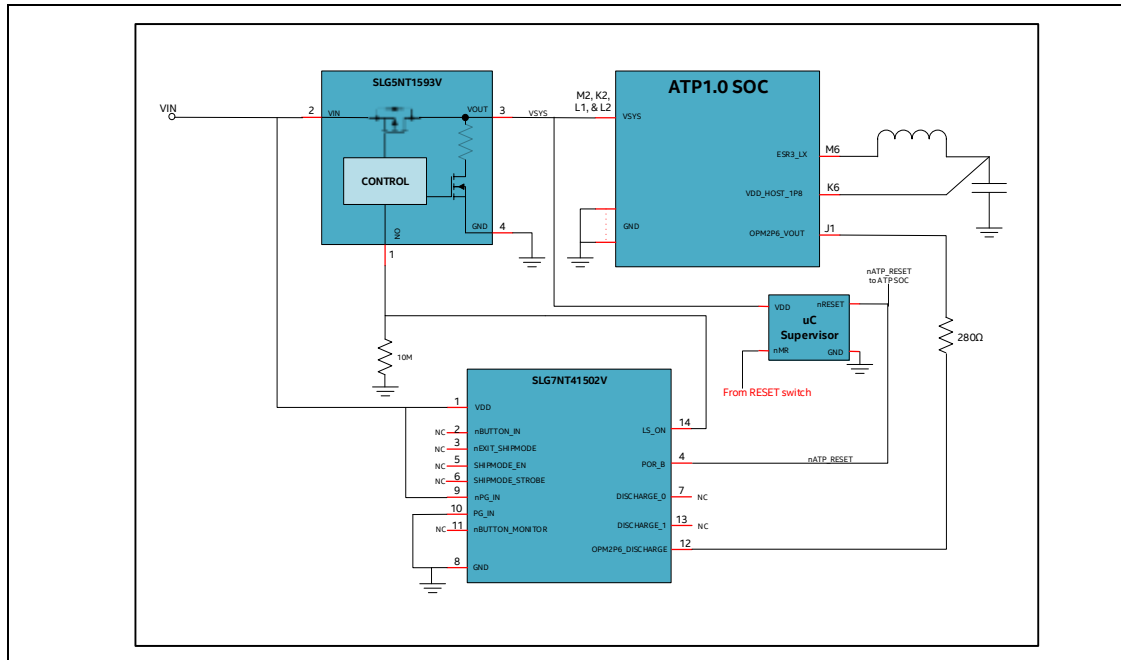
The sequence of events during the power-down/power-up cycle is as follows:

1. During power down, when the system rail falls below 2.7V the POR_B signal generates a high to low transition.
2. This falling edge transition enables discharge of Intel® Quark™ SE Microcontroller C1000 pins OPM2P6_VOUT and VSYS to GND. The load switch is also disabled.
3. Power is re-applied to the system.
4. First, discharge OPM2P6_VOUT to GND. Disable active discharge circuitry on the system rail and OPM2P6_VOUT when the voltage rises above POR threshold, after ensuring that OPM2P6_VOUT is fully discharged to GND. Enable the load switch that provides power to the Intel® Quark™ SE Microcontroller C1000.

2.2 Application Schematic of a Proposed Implementation

The schematic block diagram shown in [Figure 3](#) shows one possible implementation of circuitry that is used to guarantee proper power sequencing of the Intel® Quark™ SE Microcontroller C1000, as modelled on the Intel® Quark™ SE Microcontroller C1000 Evaluation Board.

Figure 3. Schematic Connectivity of Implementation



The proposed implementation consists of using two devices from Silego and a Voltage Monitor from Microchip:

1. A programmable mixed signal device (SLG7NT41502V) controls power sequencing and discharge of OPM2P6_VOUT rail.

Note: SLG7NT41502V “Ship Mode” is not required and in general pins 2,3,5,6,7,11 and 13 are normally NC.
2. A second device (SLG5NT1593V) gates the power supply input to the VSYS pin of the Intel® Quark™ SE Microcontroller C1000, and also discharges the system rail. If inrush current control is desired, use SLG5NT1729V instead of SLG5NT1593V.
3. A voltage supervisor monitors the power input rail and triggers the SLG7NT41502V by setting POR_B low when the input voltage drops below 2.7V.

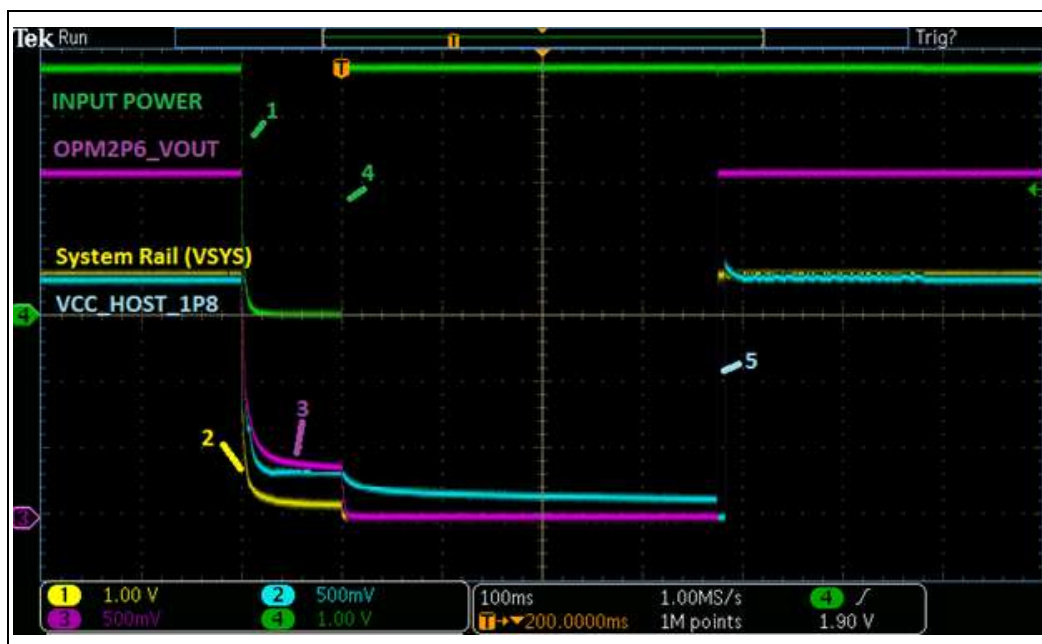
The OPM2P6_VOUT voltage is generated by an embedded linear regulator that is supplied by the VSYS pin. Since the power drain on this pin is very small, and due to external capacitance on the OPM2P6_VOUT rail, there could be situations where the input supply (VSYS) is fully discharged during a power cycle but the voltage on OPM2P6_VOUT has not been discharged below 100mV to guarantee proper power



sequencing. To facilitate this, a load switch with active discharge controls the power delivery to the microcontroller. The active discharge circuitry inside the load switch ensures that the voltage on VSYS is discharged to GND. Disconnecting and discharging VSYS protects the internal OPM2P6_VOUT regulator. This prevents the regulator from having a valid supply voltage on its input while its output discharges to GND.

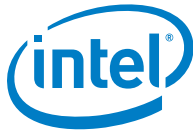
The operation of the schematics above can be explained more clearly with the captured waveforms shown in [Figure 4](#), which utilizes SLG7NT41502V and SLG5NT1593V to control the microcontroller.

Figure 4. Operation of Circuitry Controlling OPM2P6_VOUT Discharge during a Power Cycle



The waveform shows the behavior of the OPM2P6_VOUT rail when the power Input is powered down and subsequently powered up after 100ms.

1. When the voltage on the input power rail decays to $\sim 2.7V$, the POR_B signal from the voltage monitor is asserted.
2. Assertion of this signal causes the signal PFET ON (pin 14 - output from SLG7NT41502V device) to be de-asserted, disabling load switch and initially discharging Vsys. Simultaneously, the OPM2P6 Discharge (pin 12 - open drain output on SLG7NT41502V device) is driven low, causing the OPM2P6_VOUT to be discharged to GND through the 330Ω resistor.
3. Once the input power drops below the operational voltage of the Silego parts, active discharge no longer occurs and supplies discharge more slowly.
4. When input power is reapplied, active discharge of the Vsys and OPM2P6_VOUT rail is applied. Once the internal POR Threshold of the SLG7NT41502V device is exceeded ($3.582V$), the device ensures the load switch is enabled only after a



minimum of ~380mS of forced discharging of Vsys and OPM2P6_VOUT (to guarantee proper power sequencing).

5. Once power is applied, the Intel® Quark™ SE Microcontroller C1000 proceeds with its normal power sequencing of OPM2P6_VOUT rising to 2.6V, followed by the powering up of AON_IO_VCC (not shown) and the VCC_HOST_1P8 domain.

2.3 Alternate Implementation using POWER GOOD (PG) Signal to Control VSYS and OPM2P6_VOUT Discharge

If your platform implementation uses an onboard system regulator that provides a self-contained power good indicator, the Silago part (SLG7NT41502V) can use this to enable the load switch after a minimum off time of ~180ms of forced discharge of VSYS and OPM2P6_VOUT (to guarantee proper power sequencing). Load switch disable and VSYS and OPM2P6_VOUT discharge is still enabled by the system input voltage decaying to ~2.7V, which causes the POR_B to assert.

For power up enabling, an active high PG (Power Good) indicator from an onboard regulator should be connected to pin 10 (PG) of the Silago SLG7NT42414V, instead of hard wiring this to GND, as shown in [Figure 3](#).