



Interlaken (2nd Generation) Intel® FPGA IP User Guide

Updated for Intel® Quartus® Prime Design Suite: **Quartus Prime Pro 18.0**



[Subscribe](#)

[Send Feedback](#)

UG-20035 | 2018.05.07

Latest document on the web: [PDF](#) | [HTML](#)



Contents

- 1. About this IP Core..... 3**
 - 1.1. Features.....3
 - 1.2. Device Family Support.....4
 - 1.3. Performance and Resource Utilization..... 5
 - 1.4. Release Information.....6

- 2. Getting Started..... 7**
 - 2.1. Installing and Licensing Intel FPGA IP Cores..... 7
 - 2.1.1. Intel FPGA IP Evaluation Mode.....8
 - 2.2. Generated File Structure..... 10
 - 2.3. Specifying the IP Core Parameters and Options..... 12
 - 2.4. Simulating the IP Core.....13
 - 2.5. Compiling the Full Design and Programming the FPGA..... 13
 - 2.6. Integrating Your IP Core in Your Design..... 13
 - 2.6.1. Pin Assignment..... 13
 - 2.6.2. Adding the External PLL..... 13

- 3. Parameter Settings..... 15**

- 4. Functional Description..... 19**
 - 4.1. Interfaces..... 19
 - 4.2. IP Core Clocks..... 20
 - 4.3. Interleaved and Packet Modes..... 21
 - 4.4. High Level System Flow..... 21
 - 4.4.1. Interlaken TX Path..... 22
 - 4.4.2. Interlaken RX Path..... 28
 - 4.5. IP Core Reset..... 34
 - 4.6. M20K ECC Support..... 34
 - 4.7. Out-of-Band Flow Control..... 34

- 5. Interface Signals..... 38**
 - 5.1. Clock and Reset Interface Signals..... 39
 - 5.2. Transmit User Interface Signals..... 40
 - 5.3. Receive User Interface Signals..... 41
 - 5.4. Management Interface Signals..... 43
 - 5.5. Reconfiguration Interface Signals..... 43
 - 5.6. Interlaken Link and Miscellaneous Signals..... 44
 - 5.7. External PLL Interface Signals..... 46

- 6. Register Map..... 48**

- 7. Test Features..... 50**
 - 7.1. Internal Serial Loopback Mode..... 50
 - 7.2. External Loopback Mode..... 50

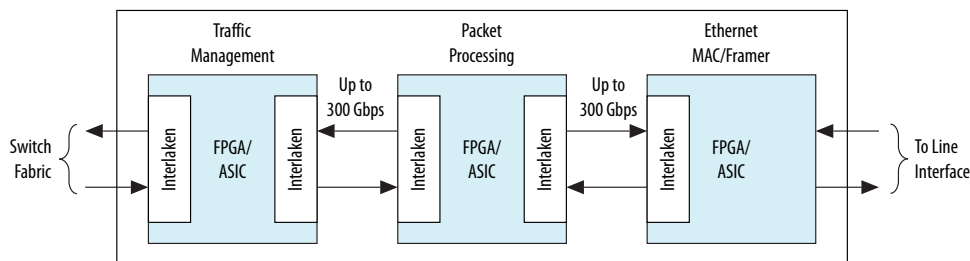
- 8. Document Revision History for Interlaken (2nd Generation) Intel FPGA IP User Guide 51**

1. About this IP Core

Interlaken is a high-speed serial communication protocol for chip-to-chip packet transfers. The Interlaken (2nd Generation) Intel® FPGA IP implements the *Interlaken Protocol Specification, Revision 1.2*. It supports multiple combinations of number of lanes (4 to 24) and lane rates from 6.25 gigabits per second (Gbps) to 25.8 Gbps, on Intel Stratix® 10 devices, providing raw bandwidth of 25 Gbps to 300 Gbps.

Interlaken provides low I/O count compared to earlier protocols, supporting scalability in both number of lanes and lane speed. Other key features include flow control, low overhead framing, and extensive integrity checking. The Interlaken IP core incorporates a physical coding sublayer (PCS), a physical media attachment (PMA), and a media access control (MAC) block.

Figure 1. Typical Interlaken Application



Related Information

- [Interlaken IP Core \(2nd Generation\) Design Example User Guide](#)
Describes a simulating testbench and a hardware example design that supports compilation and hardware testing, to help you understand usage.
- [Interlaken Protocol Specifications](#)

1.1. Features

The Interlaken (2nd Generation) IP core has the following features:

- Compliant with the Interlaken Protocol Specification, Revision 1.2.
- Supports 4, 6, and 12 serial lanes in configurations that provide up to 300 Gbps raw bandwidth.
- Supports per-lane data rates of 6.25, 10.3125, 12.5, 25.3 and 25.8 Gbps using Intel FPGA on-chip high-speed transceivers.
- Supports dynamically configurable BurstMax and BurstMin values.
- Supports Packet mode and Interleaved mode for user data transfer.
- Supports up to 256 logical channels in out-of-the-box configuration.



- Supports optional user-controlled in-band flow control with 1, 2, 4, 8, or 16 16-bit calendar pages.
- Supports optional out-of-band flow control blocks.
- Supports memory block ECC.

Table 1. IP Core Supported Combinations of Number of Lanes and Data Rate

The following combinations are supported in Intel Quartus Prime Pro Edition 18.0.

| Number of Lanes | Lane Rate (Gbps) | | | | |
|-----------------|------------------|---------|------|---------------------|---------------------|
| | 6.25 | 10.3125 | 12.5 | 25.3 ⁽¹⁾ | 25.8 ⁽²⁾ |
| 4 | Yes | - | - | - | - |
| 6 | - | - | - | Yes | Yes |
| 12 | - | Yes | Yes | Yes | Yes |

Table 2. IP Core Theoretical Raw Aggregate Bandwidth

The following combinations are supported in Intel Quartus Prime Pro Edition 18.0.

| Number of Lanes | Lane Rate (Gbps) | | | | | Number of Words | Data Width (bits) |
|-----------------|------------------|---------|------|-------|-------|-----------------|-------------------|
| | 6.25 | 10.3125 | 12.5 | 25.3 | 25.8 | | |
| 4 | 25 | - | - | - | - | 4 | 256 |
| 6 | - | - | - | 151.8 | 154.8 | 8 | 512 |
| 12 | - | 123.75 | 150 | - | - | 8 | 512 |
| 12 | - | - | - | 303.6 | 309.6 | 16 | 1024 |

Related Information

[Interlaken Protocol Specifications](#)

1.2. Device Family Support

The following lists the device support level definitions for Intel FPGA IP cores:

⁽¹⁾ Only supported in Intel Stratix 10 H-Tile devices.

⁽²⁾ Only supported in Intel Stratix 10 H-Tile devices.



- **Advance support** — The IP core is available for simulation and compilation for this device family. Timing models include initial engineering estimates of delays based on early post-layout information. The timing models are subject to change as silicon testing improves the correlation between the actual silicon and the timing models. You can use this IP core for system architecture and resource utilization studies, simulation, pinout, system latency assessments, basic timing assessments (pipeline budgeting), and I/O transfer strategy (data-path width, burst depth, I/O standards tradeoffs).
- **Preliminary support** — The IP core is verified with preliminary timing models for this device family. The IP core meets all functional requirements, but might still be undergoing timing analysis for the device family. It can be used in production designs with caution.
- **Final support** — The IP core is verified with final timing models for this device family. The IP core meets all functional and timing requirements for the device family and can be used in production designs.

Table 3. Device Family Support

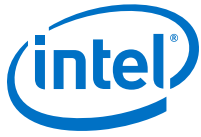
| Device Family | Support |
|------------------|---------|
| Intel Stratix 10 | Advance |

1.3. Performance and Resource Utilization

Lists the resources and expected performance for selected variations of the Interlaken IP core using the Intel Quartus Prime Pro Edition 17.1. The numbers of ALMs and logic registers are rounded up to the nearest 100.

Table 4. FPGA Resource Utilization

| Device | Parameters | | Resource Utilization | | | |
|-------------------------|-----------------|-----------------------|----------------------|-----------------|-----------|-------------|
| | Number of Lanes | Data/Lane Rate (Gbps) | ALMs needed | Logic Registers | | M20K Blocks |
| | | | | Primary | Secondary | |
| Intel Stratix 10 L-Tile | 4 | 6.25 | 8300 | 16600 | 4800 | 28 |
| | 12 | 10.3125 | 18300 | 39400 | 9700 | 52 |
| | 12 | 12.5 | 18400 | 39200 | 9700 | 52 |
| Intel Stratix 10 H-Tile | 6 | 25.3 | 19700 | 39700 | 9600 | 52 |
| | 12 | 25.3 | 32900 | 69800 | 14000 | 100 |



1.4. Release Information

Table 5. IP Core Release Information

| Item | Value | |
|---------------|--------------------------------------|---------------|
| Version | Intel Quartus Prime Pro Edition 18.0 | |
| Release Date | 2018.05.07 | |
| Ordering Code | Aggregate Bandwidth | Ordering Code |
| | 20G to <100G | IP-ILKN/50G |
| | 100G to <200G | IP-ILKN/100G |
| | 200G to <400G | IP-ILKN/200G |



2. Getting Started

The following sections explain how to install, parameterize, simulate, and initialize the Interlaken IP core.

Related Information

- [Introduction to Intel FPGA IP Cores](#)
Provides general information about all Intel FPGA IP cores, including parameterizing, generating, upgrading, and simulating IP cores.
- [Generating a Combined Simulator Setup Script](#)
Create simulation scripts that do not require manual updates for software or IP version upgrades.
- [Project Management Best Practices](#)
Guidelines for efficient management and portability of your project and IP files.

2.1. Installing and Licensing Intel FPGA IP Cores

The Intel Quartus Prime software installation includes the Intel FPGA IP library. This library provides many useful IP cores for your production use without the need for an additional license. Some Intel FPGA IP cores require purchase of a separate license for production use. The Intel FPGA IP Evaluation Mode allows you to evaluate these licensed Intel FPGA IP cores in simulation and hardware, before deciding to purchase a full production IP core license. You only need to purchase a full production license for licensed Intel IP cores after you complete hardware testing and are ready to use the IP in production.

The Intel Quartus Prime software installs IP cores in the following locations by default:

Figure 2. IP Core Installation Path

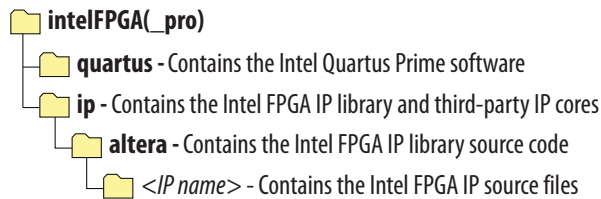


Table 6. IP Core Installation Locations

| Location | Software | Platform |
|---------------------------------------------------|---------------------------------|----------|
| <drive>:\intelFPGA_pro\quartus\ip\altera | Intel Quartus Prime Pro Edition | Windows* |
| <home directory>:/intelFPGA_pro/quartus/ip/altera | Intel Quartus Prime Pro Edition | Linux* |

Intel Corporation. All rights reserved. Intel, the Intel logo, Altera, Arria, Cyclone, Enpirion, MAX, Nios, Quartus and Stratix words and logos are trademarks of Intel Corporation or its subsidiaries in the U.S. and/or other countries. Intel warrants performance of its FPGA and semiconductor products to current specifications in accordance with Intel's standard warranty, but reserves the right to make changes to any products and services at any time without notice. Intel assumes no responsibility or liability arising out of the application or use of any information, product, or service described herein except as expressly agreed to in writing by Intel. Intel customers are advised to obtain the latest version of device specifications before relying on any published information and before placing orders for products or services.

*Other names and brands may be claimed as the property of others.

ISO
9001:2008
Registered



2.1.1. Intel FPGA IP Evaluation Mode

The free Intel FPGA IP Evaluation Mode allows you to evaluate licensed Intel FPGA IP cores in simulation and hardware before purchase. Intel FPGA IP Evaluation Mode supports the following evaluations without additional license:

- Simulate the behavior of a licensed Intel FPGA IP core in your system.
- Verify the functionality, size, and speed of the IP core quickly and easily.
- Generate time-limited device programming files for designs that include IP cores.
- Program a device with your IP core and verify your design in hardware.

Intel FPGA IP Evaluation Mode supports the following operation modes:

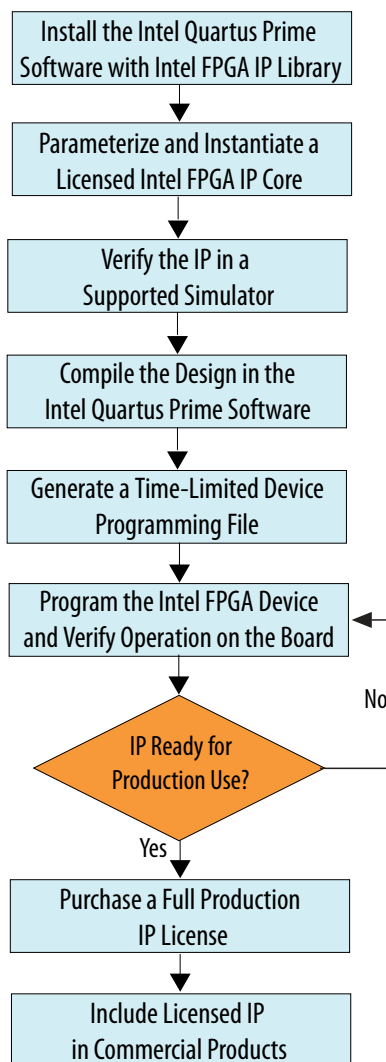
- **Tethered**—Allows running the design containing the licensed Intel FPGA IP indefinitely with a connection between your board and the host computer. Tethered mode requires a serial joint test action group (JTAG) cable connected between the JTAG port on your board and the host computer, which is running the Intel Quartus Prime Programmer for the duration of the hardware evaluation period. The Programmer only requires a minimum installation of the Intel Quartus Prime software, and requires no Intel Quartus Prime license. The host computer controls the evaluation time by sending a periodic signal to the device via the JTAG port. If all licensed IP cores in the design support tethered mode, the evaluation time runs until any IP core evaluation expires. If all of the IP cores support unlimited evaluation time, the device does not time-out.
- **Untethered**—Allows running the design containing the licensed IP for a limited time. The IP core reverts to untethered mode if the device disconnects from the host computer running the Intel Quartus Prime software. The IP core also reverts to untethered mode if any other licensed IP core in the design does not support tethered mode.

When the evaluation time expires for any licensed Intel FPGA IP in the design, the design stops functioning. All IP cores that use the Intel FPGA IP Evaluation Mode time out simultaneously when any IP core in the design times out. When the evaluation time expires, you must reprogram the FPGA device before continuing hardware verification. To extend use of the IP core for production, purchase a full production license for the IP core.

You must purchase the license and generate a full production license key before you can generate an unrestricted device programming file. During Intel FPGA IP Evaluation Mode, the Compiler only generates a time-limited device programming file (`<project name>_time_limited.sof`) that expires at the time limit.



Figure 3. Intel FPGA IP Evaluation Mode Flow



Note: Refer to each IP core's user guide for parameterization steps and implementation details.

Intel licenses IP cores on a per-seat, perpetual basis. The license fee includes first-year maintenance and support. You must renew the maintenance contract to receive updates, bug fixes, and technical support beyond the first year. You must purchase a full production license for Intel FPGA IP cores that require a production license, before generating programming files that you may use for an unlimited time. During Intel FPGA IP Evaluation Mode, the Compiler only generates a time-limited device programming file (*<project name>_time_limited.sof*) that expires at the time limit. To obtain your production license keys, visit the [Self-Service Licensing Center](#) or contact your local [Intel FPGA representative](#).

The [Intel FPGA Software License Agreements](#) govern the installation and use of licensed IP cores, the Intel Quartus Prime design software, and all unlicensed IP cores.

Related Information

- [Intel Quartus Prime Licensing Site](#)
- [Intel FPGA Software Installation and Licensing](#)

2.2. Generated File Structure

The Intel Quartus Prime Pro Edition software generates the following IP core output file structure.

For more information about the file structure of the design example, refer to the *Interlaken IP Core (2nd Generation) Design Example User Guide*.

Figure 4. IP Core Generated Files

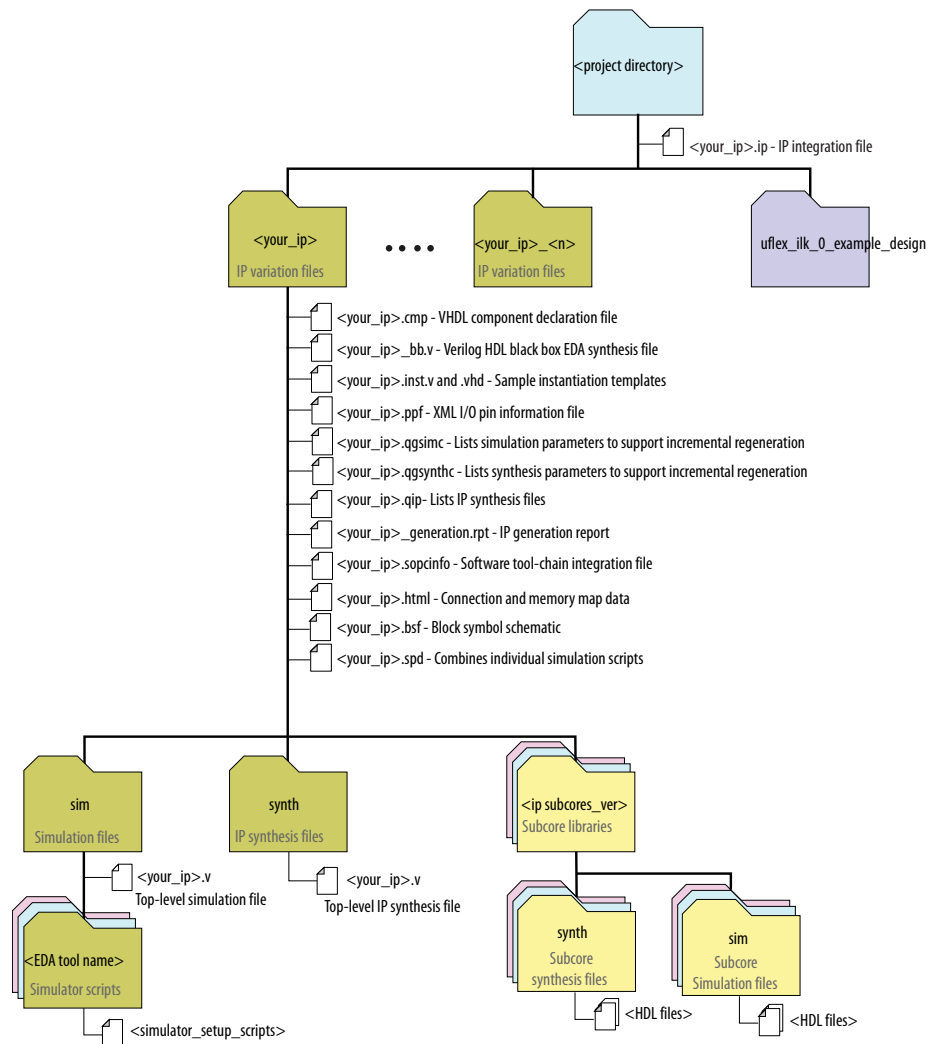




Table 7. IP Core Generated Files

| File Name | Description |
|----------------------------------|------------------------------------------------------------------------------------------------------------------------------------------------------------------------------------------------------------------------------------------------------------------|
| <your_ip>.ip | The top-level IP variation file. <your_ip> is the name that you give your IP variation. |
| <your_ip>.cmp | The VHDL Component Declaration (.cmp) file is a text file that contains local generic and port definitions that you can use in VHDL design files. This IP core does not support VHDL. However, the Intel Quartus Prime Pro Edition software generates this file. |
| <your_ip>.html | A report that contains connection information, a memory map showing the address of each slave with respect to each master to which it is connected, and parameter assignments. |
| <your_ip>_generation.rpt | IP or Platform Designer generation log file. A summary of the messages during IP generation. |
| <your_ip>.qggsimc | Lists simulation parameters to support incremental regeneration. |
| <your_ip>.qggsynthc | Lists synthesis parameters to support incremental regeneration. |
| <your_ip>.qip | Contains all the required information about the IP component to integrate and compile the IP component in the Intel Quartus Prime software. |
| <your_ip>.sopcinfo | Describes the connections and IP component parameterizations in your Platform Designer system. You can parse its contents to get requirements when you develop software drivers for IP components. |
| <your_ip>.csv | Contains information about the upgrade status of the IP component. |
| <your_ip>.bsf | A Block Symbol File (.bsf) representation of the IP variation for use in Intel Quartus Prime Block Diagram Files (.bdf). |
| <your_ip>.spd | Required input file for ip-make-simscript to generate simulation scripts for supported simulators. The .spd file contains a list of files generated for simulation, along with information about memories that you can initialize. |
| <your_ip>.ppf | The Pin Planner File (.ppf) stores the port and node assignments for IP components created for use with the Pin Planner. |
| <your_ip>_bb.v | You can use the Verilog black-box (_bb.v) file as an empty module declaration for use as a black box. |
| <your_ip>_inst.v or _inst.vhd | HDL example instantiation template. You can copy and paste the contents of this file into your HDL file to instantiate the IP variation. This IP core does not support VHDL. However, the Intel Quartus Prime Pro Edition software generates the _inst.vhd file. |
| <your_ip>.v | HDL files that instantiate each submodule or child IP core for synthesis or simulation. |
| mentor/ | Contains a ModelSim* script msim_setup.tcl to set up and run a simulation. |
| synopsys/vcs/ synopsys/vcsmx/ | Contains a shell script vcs_setup.sh to set up and run a VCS* simulation. Contains a shell script vcsmx_setup.sh and synopsys_sim.setup file to set up and run a VCS MX* simulation. |
| cadence/ | Contains a shell script ncsim_setup.sh and other setup files to set up and run an NCSim* simulation. |
| xcelium/ | Contains a shell script xcelium_setup.sh to set up and run simulation. |
| submodules/ | Contains HDL files for the IP core submodules. |
| <child IP cores>/ | For each generated child IP core directory, Platform Designer generates synth/ and sim/ sub-directories. |



Related Information

[Interlaken IP Core \(2nd Generation\) Design Example User Guide](#)

2.3. Specifying the IP Core Parameters and Options

The IP parameter editor allows you to quickly configure your custom IP variation. Perform the following steps to specify IP core options and parameters in the Intel Quartus Prime Pro Edition software.

The Interlaken IP core is not supported in Platform Designer. You must use the IP Catalog accessible from the Intel Quartus Prime Pro Edition **Tools** menu. The Interlaken IP core does not support VHDL simulation models. You must specify the Verilog HDL for both synthesis and simulation models.

1. In the Intel Quartus Prime Pro Edition software, click **File > New Project Wizard** to create a new Intel Quartus Prime project, or **File > Open Project** to open an existing Intel Quartus Prime project. The wizard prompts you to specify a device. Select **Stratix 10 (GX/SX/MX)** as your target device.
2. In the IP Catalog (**Tools > IP Catalog**), locate and double-click **Interlaken (2nd Generation) Intel FPGA IP**. The **New IP Variant** window appears.
3. Specify a top-level name for your custom IP variation. The parameter editor saves the IP variation settings in a file named `<your_ip>.ip`.
4. Click **Create**. The parameter editor appears.
5. On the **IP** tab, specify the parameters and options for your IP variation, including one or more of the following. Refer to *Parameter Settings* for information about specific IP core parameters.
 - Specify parameters defining the IP core functionality, port configurations, and device-specific features.
 - Specify options for processing the IP core files in other EDA tools.
6. Click **Generate HDL**. The **Generation** dialog box appears.
7. Specify output file generation options, and then click **Generate**. The IP variation files generate according to your specifications.
8. Optionally, click **Generate Example Design** tab in the parameter editor to generate a demonstration testbench and example design for your IP core variation.

Note: To generate the demonstration testbench and example design, you must specify Verilog HDL for both synthesis and simulation models.
9. Click **Finish**. The parameter editor adds the top-level `.ip` file to the project automatically. If you are prompted to manually add the `.ip` file to the project, click **Project > Add/Remove Files in Project** to add the file.
10. After generating and instantiating your IP variation, make appropriate pin assignments to connect ports.

Related Information

- [Interlaken IP Core \(2nd Generation\) Design Example User Guide](#)
Describes a simulating testbench and a hardware example design that supports compilation and hardware testing, to help you understand usage.
- [Parameter Settings](#) on page 15



2.4. Simulating the IP Core

You can simulate your Interlaken IP core variation using any of the vendor-specific IEEE encrypted functional simulation models which are generated in the new `<instance name>/sim/<simulator>` subdirectory of your project directory.

The Interlaken IP core supports the Synopsys VCS, Mentor Graphics Modelsim-SE*, and Cadence NCSim and Xcelium Parallel simulators. The Interlaken IP core generates only a Verilog HDL simulation model and testbench. The IP core parameter editor appears to offer you the option of generating a VHDL simulation model, but this IP core does not support a VHDL simulation model or testbench.

For more information about functional simulation models for Intel FPGA IP cores, refer to the *Simulating Intel FPGA Designs* chapter in *Quartus Prime Pro Edition Handbook Volume 3: Verification*.

Related Information

[Simulating Intel FPGA Designs](#)

2.5. Compiling the Full Design and Programming the FPGA

You can use the **Start Compilation** command on the **Processing** menu in the Intel Quartus Prime software to compile your design. After successfully compiling your design, program the targeted Intel device with the Programmer and verify the design in hardware.

Related Information

- [Programming Intel FPGA Devices](#)
- [Design Compilation](#)

2.6. Integrating Your IP Core in Your Design

2.6.1. Pin Assignment

When you integrate your IP core instance in your design, you must make appropriate pin assignments. You do not need to specify pin assignments for simulation. However, you should make the pin assignments before you compile, to provide direction to the Fitter and to specify the signals that should be assigned to device pins. While compiling the IP core alone, you can create virtual pins to avoid making specific pin assignments for top-level signals. When you are ready to map the design to hardware, you can change to the correct pin assignments.

2.6.2. Adding the External PLL

The Interlaken (2nd Generation) IP core requires an external TX transceiver PLL to drive the TX transceiver clock, in order to compile and to function correctly in hardware. In many cases, the same PLL can be shared with other transceivers in your design.

You can create an external transceiver PLL from the IP Catalog:



- Select **L-Tile/H-Tile Transceiver ATX PLL Intel Stratix 10 FPGA IP**.
- In the parameter editor, set the following parameter values:
 - Set **PLL output frequency** to one half the per-lane data rate of the IP core variation.
 - Set **PLL auto mode reference clock frequency (integer)** to the value you select for the transceiver reference clock frequency (`pll_ref_clk`) parameter in the Interlaken (2nd Generation) IP parameter editor.
 - Set **VCCR_GXB and VCCT_GXB Supply Voltage for the transceiver** to the same value you specify in the Interlaken (2nd Generation) IP parameter editor.

You must connect `tx_serial_clock` output from the ATX PLL to `tx_serial_clk` input of your Interlaken (2nd Generation) IP core.



3. Parameter Settings

You customize the Interlaken IP core by specifying parameters in the IP parameter editor.

Table 8. Interlaken IP Core Parameter Settings: IP Tab

| Parameter | Supported Values | Default Setting | Description | |
|----------------------------------------------|-----------------------------------------|-----------------|------------------------------------------------------------------------------------------------------------------------------------------------------------------------------------------------------------------------------------------------------------------------------------------------------------------------------------------------------------|---------------------------------------------------------------------|
| General | | | | |
| Meta frame length (words) | 64-8192 words | 2048 | This parameter specifies the length of the meta frame, in 64-bit (8-byte) words. Smaller values for this parameter shorten the time to achieve lock. Larger values reduce overhead while transferring data, after lock is achieved. | |
| Number of lanes | 4, 6, 12 | 12 | This parameter specifies the number of lanes available for Interlaken communication. The Interlaken IP core supports various combinations of number of lanes and lane rates. Ensure that your parameter settings specify a supported combination. Refer to <i>Table: IP Core Supported Combinations of Number of Lanes and Data Rate</i> | |
| Data rate | 6.25, 10.3125, 12.5, 25.3 and 25.8 Gbps | 10.3125 Gbps | This parameter specifies the data rate on each lane. All lanes have the same data rate (lane rate). The Interlaken IP core supports various combinations of number of lanes and lane rates. Ensure that your parameter settings specify a supported combination. Refer to <i>Table: IP Core Supported Combinations of Number of Lanes and Data Rate</i> | |
| Transceiver reference clock frequency | Multiple | 412.5 MHz | This parameter specifies the expected frequency of the <code>pll_ref_clk</code> input clock. | |
| | | | Data Rate per Lane (Gbps) | Valid Frequencies (MHz) |
| | | | 10.3125 | 206.25, 257.8125, 322.265625, 412.5, 515.625, 644.53125 |
| <i>continued...</i> | | | | |

Intel Corporation. All rights reserved. Intel, the Intel logo, Altera, Arria, Cyclone, Enpirion, MAX, Nios, Quartus and Stratix words and logos are trademarks of Intel Corporation or its subsidiaries in the U.S. and/or other countries. Intel warrants performance of its FPGA and semiconductor products to current specifications in accordance with Intel's standard warranty, but reserves the right to make changes to any products and services at any time without notice. Intel assumes no responsibility or liability arising out of the application or use of any information, product, or service described herein except as expressly agreed to in writing by Intel. Intel customers are advised to obtain the latest version of device specifications before relying on any published information and before placing orders for products or services.

*Other names and brands may be claimed as the property of others.

ISO
9001:2008
Registered



| Parameter | Supported Values | Default Setting | Description | | | | | | | | |
|---------------------------------------------------|-----------------------------------------------------------------|-----------------|----------------------------------------------------------------------------------------------------------------------------------------------------------------------------------------------------------------------------------------------------------------------------------------------------------------------------------------------------------------------------------------------------------------------------------------------------------------------------------------------------------------------------------------------------------------------------------------------------------------|---------------------------|-------------------------|------------|-------------------------------------------------|------|-------------------------------------------------|------|-----------------------------------------------------------------|
| | | | <table border="1"> <thead> <tr> <th>Data Rate per Lane (Gbps)</th> <th>Valid Frequencies (MHz)</th> </tr> </thead> <tbody> <tr> <td>12.5, 6.25</td> <td>156.25, 195.3125, 250, 312.5, 390.625, 500, 625</td> </tr> <tr> <td>25.3</td> <td>126.4, 158.0, 197.5, 252.8, 320.0, 395.0, 505.6</td> </tr> <tr> <td>25.8</td> <td>159.135802, 201.40625, 250.291262, 322.25, 402.8125, 500.582524</td> </tr> </tbody> </table> <p>If the actual frequency of the <code>pll_ref_clk</code> input clock does not match the value you specify for this parameter, the design fails in both simulation and hardware.</p> | Data Rate per Lane (Gbps) | Valid Frequencies (MHz) | 12.5, 6.25 | 156.25, 195.3125, 250, 312.5, 390.625, 500, 625 | 25.3 | 126.4, 158.0, 197.5, 252.8, 320.0, 395.0, 505.6 | 25.8 | 159.135802, 201.40625, 250.291262, 322.25, 402.8125, 500.582524 |
| Data Rate per Lane (Gbps) | Valid Frequencies (MHz) | | | | | | | | | | |
| 12.5, 6.25 | 156.25, 195.3125, 250, 312.5, 390.625, 500, 625 | | | | | | | | | | |
| 25.3 | 126.4, 158.0, 197.5, 252.8, 320.0, 395.0, 505.6 | | | | | | | | | | |
| 25.8 | 159.135802, 201.40625, 250.291262, 322.25, 402.8125, 500.582524 | | | | | | | | | | |
| Enable M20K ECC support | On/Off | Off | <p>This parameter specifies whether your Interlaken IP core variation supports the ECC feature in the M20K memory blocks that are configured as part of the IP core. You can turn this parameter on to enable single-error correct, double-adjacent-error correct, and triple-adjacent-error detect ECC functionality in the M20K memory blocks configured in your IP core. This feature enhances data reliability but increases latency and resource utilization.</p> | | | | | | | | |
| Enable Native XCVR PHY ADME | On/Off | Off | <p>This parameter specifies whether your Interlaken IP core variation supports the ADME feature. This parameter exposes debugging features of the Intel Stratix 10 Native PHY IP core that specifies the transceiver settings in the Interlaken IP core.</p> | | | | | | | | |
| In-Band Flow Control | | | | | | | | | | | |
| Include in-band flow control functionality | On/Off | Off | <p>This parameter specifies whether your Interlaken IP core includes an in-band flow control block.</p> | | | | | | | | |
| Number of calender pages | 1, 2, 4, 8, and 16 | 1 | <p>This parameter specifies the number of 16-bit pages of in-band flow control data that your Interlaken IP core supports. This parameter is available if you turn on Include in-band flow control functionality. Each 16-bit calendar page includes 16 in-band flow control bits. The application determines the</p> | | | | | | | | |

continued...

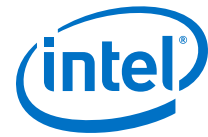


| Parameter | Supported Values | Default Setting | Description |
|------------------------------------------------------------------|------------------------|-------------------|----------------------------------------------------------------------------------------------------------------------------------------------------------------------------------------------------------------------------------------------------------------------------------------------------------------------------------------------------------------------------------------------------------------------------------------------------------------------------------------------------------------------------------------------------|
| | | | <p>interpretation of the in-band flow control bits. The IP core supports a maximum of 256 channels with in-band flow control.</p> <p>If your design requires a different number of pages, select the lowest supported number of pages which is larger than the number required, and ignore any unused pages. For example, if your configuration requires three in-band flow control calendar pages, you can set this parameter to 4 and use pages 3, 2, and 1 while ignoring page 0.</p> |
| Transceiver Settings | | | |
| Transceiver Tile | L-Tile, H-Tile | H-Tile | <p>Specifies the transceiver tile on your target Intel Stratix 10 device. The Device setting of the Intel Quartus Prime Pro Edition project in which you generate the IP core determines the transceiver tile type.</p> <p>In the Intel Quartus Prime Pro Edition 18.0, this parameter is grayed out. The correct tile is derived when you select a device for the project. The IP generates the correct transceiver tile type for your target Intel Stratix 10 device.</p> |
| Tx Scrambler seed | - | 0x3ab1278890105cd | <p>This parameter specifies the initial scrambler state.</p> <p>If a single Interlaken IP Core is configured on your device, you can use the default value of this parameter.</p> <p>If multiple Interlaken IP Cores are configured on your device, you must use a different initial scrambler state for each IP core to reduce crosstalk. Try to select random values for each Interlaken IP core, such that they have an approximately even mix of ones and zeros and differ from the other scramblers in multiple spread out bit positions.</p> |
| VCCR_GXB and VCCT_GXB supply voltage for the Transceivers | 1.0V, 1.1V | 1.0V | <p>This parameter specifies the VCCR_GXB and VCCT_GXB transceiver supply voltage.</p> <p>Set this parameter value to 1.1V for 25.3 and 25.8 Gbps data rate.</p> |
| User Data Transfer Interface | | | |
| Transfer mode selection | Interleaved and Packet | Interleaved | <p>This parameter specifies whether the Interlaken transmitter expects incoming traffic to the TX user data transfer interface to be interleaved or packet based.</p> |



Related Information

- [Intel Stratix 10 GX 2800 L-Tile ES-1 Transceiver PHY User Guide](#)
For more details about the L-tile transceiver reset and dynamic reconfiguration of transceiver channels and PLLs.
- [Intel Stratix 10 L- and H-Tile Transceiver PHY User Guide](#)
For more details about the H-tile transceiver reset and dynamic reconfiguration of transceiver channels and PLLs.
- [Features](#) on page 3
For more information on IP core supported combinations of lanes and data rate.



4. Functional Description

The Interlaken IP core provides the functionality described in the *Interlaken Protocol Specification, Revision 1.2*.

4.1. Interfaces

The Interlaken IP core supports the following interfaces:

- **User Data Transfer Interface**

The user data transfer interface, also known as application interface, provides up to 256 logical channels of communication to and from the Interlaken link. This interface is similar to the Avalon-ST interface which supports data bursts or packets, which are carried in the Interlaken MetaFrame Payload.

- **Interlaken Interface**

The Interlaken interface complies with the *Interlaken Protocol Specification, Revision 1.2*. It provides a high-speed transceiver interface to an Interlaken link.

- **Out-of-Band Flow Control Interface**

The optional out-of-band flow control interface conforms to the out-of-band requirements in *Section 5.3.4.2, Out-of-Band Flow Control, of the Interlaken Protocol Specification, Revision 1.2*.

- **Management Interface**

The management interface provides access to the Interlaken IP core internal status and control registers. This interface does not provide access to the hard PCS registers on the device. This interface complies with the Avalon Memory-Mapped (Avalon-MM) specification defined in the *Avalon Interface Specifications*.

- **Transceiver Control Interfaces**

The Interlaken IP core provides several interfaces to control the transceiver. The transceiver control interfaces in your Interlaken IP core variation depend on the device family the variation targets. The Interlaken IP core supports the following transceiver control interfaces:

- **External PLL Interface**

The Interlaken IP core variations that target Intel Stratix 10 device require an external transceiver PLL to function correctly in hardware.

- **Transceiver Reconfiguration Interface**

The Intel Stratix 10 transceiver reconfiguration interface provides access to the registers in the embedded Intel Stratix 10 Native PHY IP core. This interface provides direct access to the hard PCS registers on the device. This interface complies with the Avalon Memory-Mapped (Avalon-MM) specification defined in the *Avalon Interface Specifications*.



Related Information

- [Interlaken Protocol Specifications](#)
- [Avalon Interface Specifications](#)
- [Interface Signals](#) on page 38
- [Intel Stratix 10 GX 2800 L-Tile ES-1 Transceiver PHY User Guide](#)
For more details about the L-tile transceiver reset and dynamic reconfiguration of transceiver channels and PLLs.
- [Intel Stratix 10 L- and H-Tile Transceiver PHY User Guide](#)
For more details about the H-tile transceiver reset and dynamic reconfiguration of transceiver channels and PLLs.

4.2. IP Core Clocks

Table 9. Interlaken IP Core Clocks

| Clock Name | Direction | Description |
|------------------------------|-----------|---------------------------------------------------------------------------------------------------------------------------------------------------------|
| pll_ref_clk | Input | Reference clock for the RX CDR PLL in IP core variations that target an Intel Stratix 10 device. |
| tx_serial_clk[NUM_LANES-1:0] | Input | Clocks for the individual transceiver channels in Interlaken IP core variations that target an Intel Stratix 10 device. |
| rx_usr_clk | Input | Clock for the receive application interface. |
| tx_usr_clk | Input | Clock for the transmit application interface. |
| mm_clk | Input | Management clock for Interlaken IP core register access. |
| reconfig_clk | Input | Management clock for Intel Stratix 10 hard PCS register access, including access for Intel Stratix 10 transceiver reconfiguration and testing features. |
| clk_tx_common | Output | Transmit PCS common lane clock driven by the SERDES transmit PLL. |
| clk_rx_common | Output | Receive PCS common lane clock driven by the CDR in transceiver. |

Related Information

- [Intel Stratix 10 GX 2800 L-Tile ES-1 Transceiver PHY User Guide](#)
For more details about the L-tile transceiver reset and dynamic reconfiguration of transceiver channels and PLLs.
- [Intel Stratix 10 L- and H-Tile Transceiver PHY User Guide](#)
For more details about the H-tile transceiver reset and dynamic reconfiguration of transceiver channels and PLLs.



4.3. Interleaved and Packet Modes

You can configure the Interlaken IP core to accept interleaved data transfers from the application on the TX user data transfer interface, or to not accept interleaved data transfers on this interface. If the IP core can accept interleaved data transfers, it is in Interleaved mode. If the IP core does not accept interleaved data transfers, it is in Packet mode. The value you specify for the **Transfer mode selection** parameter in the IP core parameter editor determines the IP core transmit mode.

In Packet mode, the Interlaken IP core performs *Optional Scheduling Enhancement based on Section 5.3.2.1.1 of the Interlaken Protocol Specification, Revision 1.2*. The IP core ignores the `itx_sob` and `itx_eob` signals. Instead, the IP core performs optional enhanced scheduling based on the settings of `BurstMax` and `BurstMin`.

In Interleaved mode, the Interlaken IP core inserts burst control words on the Interlaken link based on the `itx_sob` and `itx_eob` inputs. The internal optional enhanced scheduling is disabled and the `BurstMax` and `BurstMin` values are ignored. `BurstShort` is still in effect. To avoid overflowing the transmit FIFO, you should not send a burst that is longer than 1024 bytes.

In Interleaved mode or in Packet mode, the Interlaken IP core is capable of accepting non-interleaved data on the TX user data transfer interface (`itx_din_words`). However, if the IP core is in Interleaved mode, the application must drive the `itx_sob` and `itx_eob` inputs correctly.

In Interleaved mode or in Packet mode, the Interlaken IP core can generate interleaved data transfers on the RX user data transfer interface (`irx_dout_words`). The application must be able to accept interleaved data transfers if the Interlaken link partner transmits them on the Interlaken link. In this case, the Interlaken link partner must send traffic in Interleaved mode that conforms with the Interlaken IP core `BurstShort` value.

Note: The transmitter (link partner) needs to send packets with a minimum packet size of 64 bytes.

4.4. High Level System Flow

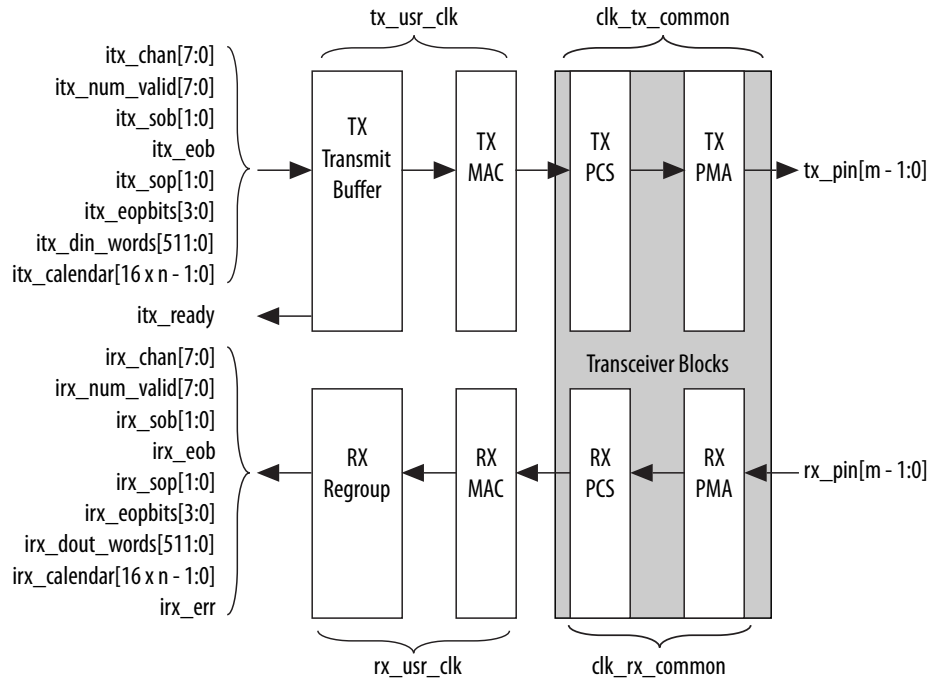
The Interlaken IP core consists of two paths:

- Interlaken TX path
- Interlaken RX path

Each path includes MAC, PCS, and PMA blocks. The PCS blocks are implemented in hard IP.

Figure 5. Interlaken IP Core Block Diagram

The figure illustrates the 8-word data transfer scenario.



Related Information

- [Avalon Interface Specifications](#)
- [Intel Stratix 10 GX 2800 L-Tile ES-1 Transceiver PHY User Guide](#)
For more details about the L-tile transceiver reset and dynamic reconfiguration of transceiver channels and PLLs.
- [Intel Stratix 10 L- and H-Tile Transceiver PHY User Guide](#)
For more details about the H-tile transceiver reset and dynamic reconfiguration of transceiver channels and PLLs.

4.4.1. Interlaken TX Path

The Interlaken IP core accepts application data from up to 256 channels and combines it into a single data stream in which data is labeled with its source channel. The Interlaken TX MAC and PCS blocks format the data into protocol-compliant bursts and insert Idle words where required.

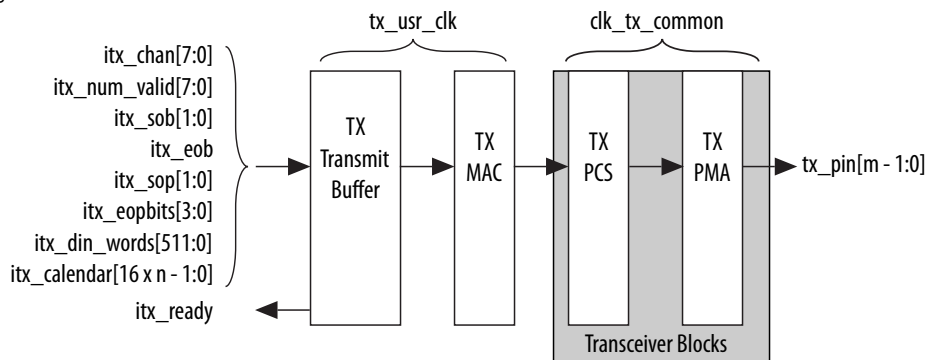
4.4.1.1. Transmit Path Blocks

The Interlaken IP core transmit data path has the following four main functional blocks:

- TX Transmit Buffer
- TX MAC
- TX PCS
- TX PMA

Figure 6. Interlaken IP Core Transmit Path Blocks

The figure illustrates the 8-word data transfer scenario.



TX Transmit Buffer

The Interlaken IP core TX transmit buffer aligns the incoming user application data, `itx_data` in the IP core internal format.

TX MAC

The Interlaken IP core TX MAC performs the following functions:

- Inserts burst and idle control words in the incoming data stream. Burst delineation allows packet interleaving in the Interlaken protocol.
- Performs flow adaption of the data stream, repacking the data to ensure the maximum number of words is available on each valid clock cycle.
- Calculates and inserts CRC24 bits in all burst and idle words.
- Inserts calendar data in all burst and idle words, if you configure in-band flow control.
- Stripes the data across the PCS lanes. Configurable order, default is MSB of the data goes to lane 0.
- Buffers data between the application and the TX PCS block in the TX FIFO buffer. The TX PCS block uses the FIFO buffer to recover bandwidth when the number of words delivered to the transmitter is less than the full width.

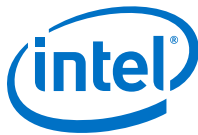
TX PCS

TX PCS logic is an embedded hard macro and does not consume FPGA soft logic elements. The Interlaken IP core TX PCS block performs the following functions for each lane:

- Inserts the meta frame words in the incoming data stream.
- Calculates and inserts the CRC32 bits in the meta frame diagnostic words.
- Scrambles the data according to the scrambler seed and the protocol-specified polynomial.
- Performs 64B/67B encoding.

TX PMA

The Interlaken IP core TX PMA serializes the data and sends it out on the Interlaken link.



4.4.1.2. In-Band Calendar Bits on Transmit Side

When you turn on **Include in-band flow control functionality**,

- The `itx_calendar` input signal supports in-band flow control. It is synchronous with `tx_usr_clk`, but does not align with the packets on the user data interface. The Interlaken IP core reads the `itx_calendar` bits and encodes them in control words (Burst control words and Idle control words) opportunistically.
- The Interlaken IP core transmits each page of the `itx_calendar` bits on the Interlaken link in a separate control word, starting with the most significant page and working through the pages, in order, to the least significant page.
- The Interlaken IP core fills each flow control bit in each control word with the value of 1.

If you hold all the calendar bits at one, you indicate an XON setting for each channel. You should set the calendar bits to 1 to indicate that the Interlaken link partner does not need to throttle the data it transfers to the Interlaken IP core. Set this value by default if you choose not to use the in-band flow control feature of the Interlaken IP core. If you decide to turn off any channel, you must drive the corresponding bits of `itx_calendar` with zero (the XOFF setting) for that channel.

Consider an example where the number of calendar pages is four and `itx_calendar` bits are set to the value `64'h1111_2222_3333_4444`. In this example, the **Number of calendar pages** parameter is set to four, and therefore the width of the `itx_calendar` signal is $4 \times 16 = 64$ bits. Each of these bits is a calendar bit. The transmission begins with the page with the value of `16'h1111` and works through the pages in order until the least significant page with the value of `16'h4444`.

In this example, four control words are required to send the full set of 64 calendar bits from the `itx_calendar` signal. The Interlaken IP core automatically sets the Reset Calendar bit[56] of the next available control word to the value of one, to indicate the start of transmission of a new set of calendar pages, and copies the most significant page (`16'h1111` in this example) to the In-Band Flow Control bits[55:40] of the control word. It maps the most significant bit of the page to the control word bit[55] and the least significant bit of the page to the control word bit[40].

Table 10. Value of Reset Calendar Bit and In-band Flow Control Bits in the Example

The table shows the value of the Reset Calendar bit and the In-Band Flow Control bits in the four Interlaken link control words that transmit the `64'h1111_2222_3333_4444` value of `itx_calendar`.

| Control Word | Reset Calendar Bit (bit [56]) | In-Band Flow Control Bits (bits [55:40]) |
|--------------|-------------------------------|------------------------------------------|
| First | 1 | 16'b0001000100010001 (16'h1111) |
| Second | 0 | 16'b0010001000100010 (16'h2222) |
| Third | 0 | 16'b0011001100110011 (16'h3333) |
| Fourth | 0 | 16'b0100010001000100 (16'h4444) |

For details of the control word format, refer to the *Interlaken Protocol Specification*, Revision 1.2.

The IP core supports `itx_calendar` widths of **1**, **2**, **4**, **8**, and **16** 16-bit calendar pages. You configure the width in the IP core parameter editor.



By convention, in a standard case, each calendar bit corresponds to a single data channel. However, the IP core assumes no default usage. You must map the calendar bits to channels or link status according to your specific application needs. For example, if your design has 64 physical channels, but only 16 priority groups, you can use a single calendar page and map each calendar bit to four physical channels. As another example, for a different application, you can use additional calendar bits to pass quality-of-service related information to the Interlaken link partner.

If your application flow-controls a channel, you are responsible for dropping the relevant packet. Intel supports the transfer of the `itx_calendar` values you provide without examining the data that is affected by in-band flow control of the Interlaken link.

4.4.1.3. Transmit User Data Interface Examples

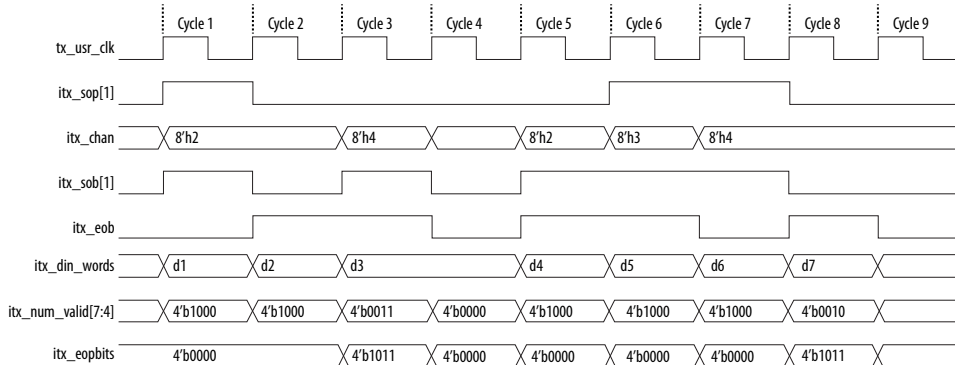
The following examples illustrate how to use the Interlaken IP core TX user data interface:

Interleaved Mode Example

In Interleaved Mode, you are responsible for scheduling the burst. You need to drive an extra pair of signals, Start of Burst (SOB) and End of Burst (EOB), to indicate the burst boundary. You can send the traffic in packet order or interleaved order, as long as you set the SOB and EOB flags correctly to establish the data boundaries.

Figure 7. Packet Transfer on Transmit Interface in Interleaved Single Segment Mode

The figure shows the timing diagram for an interleaved data transfer (8-word) in Interleaved mode.



This example illustrates the expected behavior of the Interlaken IP core application interface transmit signals during data transfers from the application to the IP core on the TX user data transfer interface in interleaved single segment mode. Since only the single segment mode is supported in interleaved mode, the `itx_sob[1]` and `itx_num_valid[7:4]` are valid signals.

In cycle 1, the application asserts `itx_sop[1]` and `itx_sob[1]`, indicating that this cycle is both the start of the burst and the start of the packet. The value the application drives on `itx_chan` indicates the data originates from channel 2.

In cycle 2, the application asserts `itx_eob`, indicating the data the application transfers to the IP core in this clock cycle is the end of the burst. (`itx_chan` only needs to be valid when `itx_sob[1]` or `itx_sop[1]` is asserted). `itx_num_valid[7:4]` indicates all eight words are valid. However, the data in this



cycle is not end of packet data. The application is expected to transfer at least one additional data burst in this packet, possibly interleaved with one or more bursts in packets from different data channels.

Cycle 3 is a short burst with both `itx_sob[1]` and `itx_eob` asserted. The application drives the value of three on `itx_num_valid[7:4]` to indicate that three words of the eight-word `itx_din_words` data bus are valid. The data is packed in the most significant words of `itx_din_words`. The application drives the value of `4'b1011` on `itx_eopbits` to indicate that the data the application transfers to the IP core in this cycle are the final words of the packet, and that in the final word of the packet, only three bytes are valid data. The value the application drives on `itx_chan` indicates this burst originates from channel 4.

In cycle 4, the `itx_num_valid[7:4]` signal has the value of zero, which means this cycle is an idle cycle.

In cycle 5, the application sends another single-cycle data burst from channel 2, by asserting `itx_sob[1]` and `itx_eob` to indicate this data is both the start and end of the burst. The application does not assert `itx_sop[1]`, because this burst is not start of packet data. `itx_eopbits` has the value of `4'b0000`, indicating this burst is also not end of packet data. This data follows the data burst transferred in cycles 1 and 2, within the same packet from channel 2.

In cycle 6, the application sends a start of packet, single-cycle data burst from channel 3.

In cycles 7 and 8, the application sends a two-cycle data packet in one two-cycle burst. In cycle 8, the second data cycle, the application drives the value of two on `itx_num_valid[7:4]` and the value of `4'b1011` on `itx_eopbits`, to tell the IP core that in this clock cycle, the two most significant words of the data symbol contain valid data and the remaining words do not contain valid data, and that in the second of these two words, only the three most significant bytes contain valid data.

In Interleaved Mode, you can transfer a packet without interleaving as long as the channel number does not toggle during the same packet transfer. However, you must still assert the `itx_sob` and `itx_eob` signals correctly to maintain the proper burst boundaries.

If you do not drive the `itx_sob` and `itx_eob` signals, the Interlaken IP Core does not operate properly and the transmit FIFO may overflow, since in this mode the internal logic is looking for `itx_sob` and `itx_eob` assertion for insertion of proper burst control words.

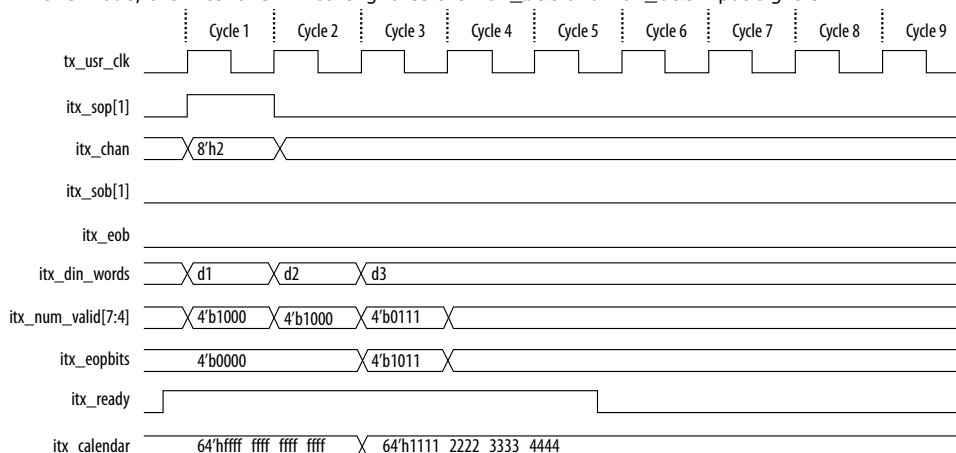
Packet Mode Operation Example

This example illustrates the expected behavior of the Interlaken IP core application interface transmit signals during a packet transfer in packet mode.



Figure 8. Packet Transfer on Transmit Interface in Packet Mode

The figure illustrates a packet mode data transfer (8-word) of 179 bytes on the transmit interface into the IP core. In this mode, the Interlaken IP core ignores the `itx_sob` and `itx_eob` input signals.



To start a transfer, you assert `itx_sop[1]` when you have data ready on `itx_din_words`. At the following rising edge of the clock, the IP core detects that `itx_sop[1]` is asserted, indicating that the value on `itx_din_words` in the current cycle is the start of an incoming data packet. When you assert `itx_sop[1]`, you must also assert the correct value on `itx_chan` to tell the IP core the data channel source of the data. In this example, the value 2 on `itx_chan` tells the IP core that the data originates from channel number 2.

During the SOP cycle (labeled with data value d1) and the cycle that follows the SOP cycle (labeled with data value d2), you must hold the value of `itx_num_valid[7:4]` at 4'b1000. In the following clock cycle, labeled with data value d3, you must hold the following values on critical input signals to the IP core:

- `itx_num_valid[7:4]` at the value of 4'b0111 to indicate the current data symbol contains seven 64-bit words of valid data.
- `itx_eopbits[3]` high to indicate the current cycle is an EOP cycle.
- `itx_eopbits[2:0]` at the value of 3'b011 to indicate that only three bytes of the final valid data word are valid data bytes.

This signal behavior correctly transfers a data packet with the total packet length of 179 bytes to the IP core, as follows:

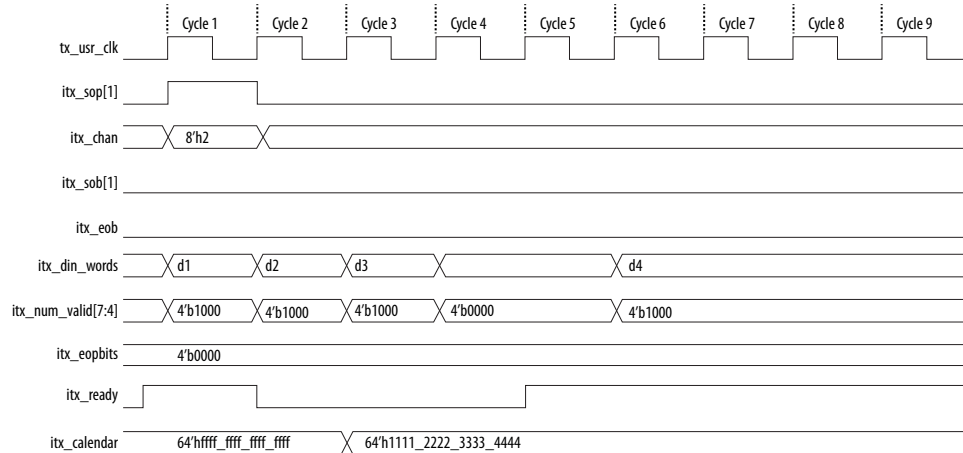
- In the SOP cycle, the IP core receives 64 bytes of valid data (d1).
- In the following clock cycle, the IP core receives another 64 bytes of valid data (d2).
- In the third clock cycle, the EOP cycle, the IP core receives 6 full words (6 x 8 = 48 bytes) and three bytes of valid data, for a total of 51 valid bytes.

The total packet length is 64 + 64 + 51 = 179 bytes.

Back-Pressured Packet Transfer Example

This example illustrates the expected behavior of the Interlaken application interface transmit signals during a packet transfer with back pressure.

Figure 9. Packet Transfer on Transmit Interface with Back Pressure



In this example, the Interlaken IP core accepts the first four data symbols (256 bytes) of a data packet. The clock cycles in which the application transfers the data values d2 and d3 to the Interlaken IP Core are grace-period cycles following the Interlaken IP core's de-assertion of `itx_ready`.

The Interlaken IP core supports up to 4 cycles of grace period, enabling you to register the input data and control signals, as well as the `itx_ready` signal, without changing functionality. The grace period supports your design in achieving timing closure more easily. In any case you must ensure that you hold `itx_num_valid` at the value of 0 when you are not driving data.

You can think of this interface as a FIFO write interface. When `itx_num_valid[7:4]` is nonzero, both data and control information (including `itx_num_valid[7:4]` itself) are written to the transmit side data interface. The `itx_ready` signal is the inverse of a hypothetical FIFO-almost-full flag. When `itx_ready` is high, the Interlaken IP core is ready to accept data. When `itx_ready` is low, you can continue to send data for another 6 to 8 clock cycles of `tx_usr_clk`.

4.4.2. Interlaken RX Path

The Interlaken IP core receives data on the Interlaken link, monitors and removes Interlaken overhead, and provides user data and calendar information to the application. Calendar information is available only if you turn on Include in-band flow control block in the Interlaken parameter editor.

4.4.2.1. Receive Path Blocks

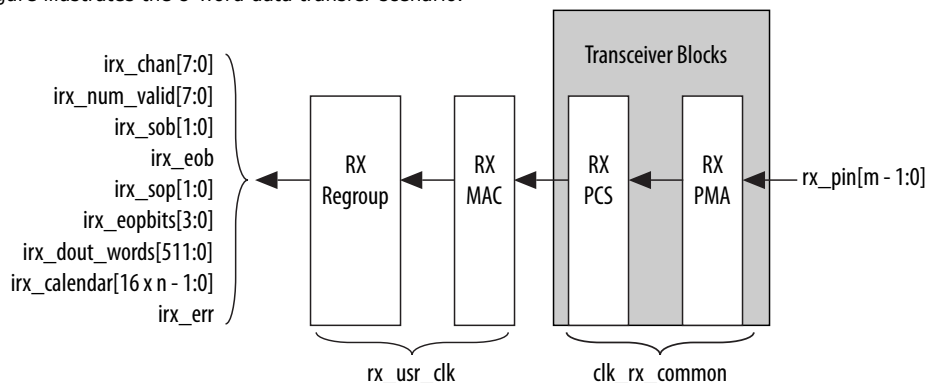
The Interlaken IP core receive data path has the following four main functional blocks:

- RX PMA
- RX PCS
- RX MAC
- RX Regroup Block



Figure 10. Interlaken IP Core Receive Path Blocks

The figure illustrates the 8-word data transfer scenario.



RX PMA

The Interlaken IP core RX PMA deserializes data that the IP core receives on the serial lines of the Interlaken link.

RX PCS

RX PCS logic is an embedded hard macro and does not consume FPGA soft logic elements. The Interlaken IP core RX PCS block performs the following functions to retrieve the data:

- Detects word lock and word synchronization.
- Checks running disparity.
- Reverses gear-boxing and 64/67B encoding.
- Descrambles the data.
- Delineates meta frame boundaries.
- Performs CRC32 checking.
- Sends lane status information to the calendar and status blocks, if **Include in-band flow control functionality** is turned on.

RX MAC

To recover a packet or burst, the RX MAC takes data from each of the PCS lanes and reassembles the packet or burst. The Interlaken IP core RX MAC performs the following functions:

- Data de-striping, including lane alignment and burst assembly from the PCS lanes.
- CRC24 validation.
- Calendar recovery, if **Include in-band flow control functionality** is turned on.

RX Regroup Block

The Interlaken IP core RX regroup block translates the IP core internal data format to the outgoing user application data `irx_data` format.

4.4.2.2. In-Band Calendar Bits on Receive Side

The Interlaken IP core receiver logic decodes incoming control words (both Burst control words and Idle control words) on the incoming Interlaken link. If you turn on **Include in-band flow control functionality**, the receiver logic extracts the calendar pages from the In-Band Flow Control bits and assembles them into the `irx_calendar` output signal. If you turn off **Include in-band flow control functionality**, the IP core sets all the bits of `irx_calendar` to the value of 1, indicating that the IP core is not flow controlling the incoming data on the Interlaken link.

The Interlaken IP core receives the most significant calendar page in a control word with the Reset Calendar bit set, indicating the beginning of the calendar page sequence. The mapping of bits from the control words to the `irx_calendar` output signal is consistent with the mapping of bits from the `itx_calendar` input signal to the control words.

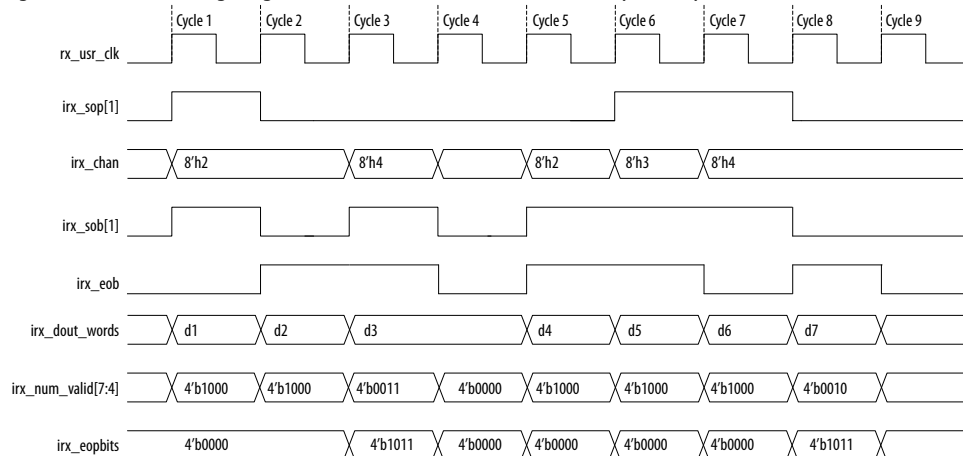
On the RX side, your application is responsible for mapping the calendar pages to the corresponding channels, according to any interpretation agreed upon with the Interlaken link partner application in sideband communication. On the TX side, your application is responsible for throttling the data it transfers to the TX user data transfer interface, in response to the agreed upon interpretation of the `irx_calendar` bits.

4.4.2.3. Receive User Data Interface Example

The Interlaken IP Core can generate interleaved data transfers on the RX user data transfer interface. The IP core always toggles the `irx_sob` and `irx_eob` signals to indicate the beginning and end of the burst. In single segment mode, only `irx_sob[1]` toggles. Since only the single segment interleaved mode is supported, the `irx_sob[1]` and `irx_num_valid[7:4]` are the valid signals.

Figure 11. Interlaken IP Core Receiver Side Single Segment Example

The figure shows the timing diagram for an interleaved data transfer (8-word) in Interleaved mode.



This example illustrates the expected behavior of the Interlaken IP core application interface receive signals during data transfers from the IP core to the application on the RX user data transfer interface in interleaved single segment mode.



In cycle 1, the IP core asserts `irx_sop[1]` and `irx_sob[1]`, indicating that this cycle is both the start of the burst and the start of the packet. The first word is MSB aligned at the top. The value the IP core drives on `irx_chan` indicates the data targets channel 2. You must sample `irx_chan` during cycles in which `irx_sop[1]` is asserted. The `irx_chan` output signal is not guaranteed to remain valid for the duration of the burst.

In cycle 2, the IP core asserts `irx_eob`, indicating the data the IP core transfers to the application in this clock cycle is the end of the burst. `irx_num_valid[7:4]` indicates all eight words are valid. However, the data in this cycle is not end of packet data. The IP core transfers at least one additional data burst in this packet, possibly interleaved with one or more bursts in packets that target different data channels.

Cycle 3 is a short burst with both `irx_sop[1]` and `irx_eob` asserted. The IP core drives the value of three on `irx_num_valid[7:4]` to indicate that three words of the eight-word `irx_dout_words` data bus are valid. The data is packed in the most significant words of `irx_dout_words`. The IP core drives the value of `4'b1011` on `irx_eopbits` to indicate that the data the IP core transfers to the application in this cycle are the final words of the packet, and that in the final word of the packet, only three bytes are valid data. The value the IP core drives on `irx_chan` indicates this burst targets channel 4.

In cycle 4, the `irx_num_valid[7:4]` signal has the value of zero, which means this cycle is an idle cycle.

In cycle 5, the IP core sends another single-cycle data burst to channel 2, by asserting `irx_sob[1]` and `irx_eob` to indicate this data is both the start and end of the burst. The IP core does not assert `irx_sop[1]`, because this burst is not start of packet data. `irx_eopbits` has the value of `4'b0000`, indicating this burst is also not end of packet data. This data follows the data burst transferred in cycles 1 and 2, within the same packet the IP core is sending to channel 2.

In cycle 6, the IP core sends a start of packet, single-cycle data burst to channel 3.

In cycles 7 and 8, the IP core sends a two-cycle data packet in one two-cycle burst. In cycle 8, the second data cycle, the IP core drives the value of two on `irx_num_valid[7:4]` and the value of `4'b1011` on `irx_eopbits`, to tell the application that in this clock cycle, the two most significant words of the data symbol contain valid data and the remaining words do not contain valid data, and that in the second of these two words, only the three most significant bytes contain valid data.

4.4.2.4. RX Errored Packet Handling

The Interlaken IP Core provides information about errored packets on the RX user data transfer interface through the following output signals:

- `irx_eopbits[3:0]`—If this signal has the value of `4'b0001`, an error indication arrived with the packet on the incoming Interlaken link: the `EOP_Format` field of the control word following the final burst of the packet on the Interlaken link has this value, which indicates an error and EOP.
- `irx_err`— The Interlaken IP Core checks the integrity of incoming packets on the Interlaken link, and reports some packet corruption errors it detects on the RX user data transfer interface in the `irx_err` output signal. The IP core asserts the `irx_err` output signal synchronously with the `irx_eob` signal. The IP core asserts this signal only if it can determine the burst in which the error occurred. If the IP core cannot determine the burst in which the error occurred, it does not assert the `irx_err` in response.

In both cases, the application is responsible for discarding the relevant packet.

The `irx_err` signal reflects CRC24 errors that are associated with a data or control burst and is aligned with `irx_eob`.

The `irx_err` signal indicates where an error occurs. The IP core asserts this signal only if an error occurs in an identifiable burst. Corruption can occur at the SOP of the current packet, in some later cycle in the payload of the current packet, in a packet that is interleaved with the current packet, or in the current EOP cycle. However, the IP core asserts the `irx_err` signal only in a subset of these cases, If the current EOP cycle data is corrupted so badly that the EOP indication is missing, or if an error occurs during an IDLE cycle, the IP core does not assert the `irx_err` signal.

For CRC24 errors, you should use the `crc24_err` status signal, rather than relying on the `irx_err` signal, in the following situations:

- If you monitor the link when only Idle control words are being received (no data is flowing), you should monitor the real time status signal `crc24_err`.
- If you maintain a count of CRC24 errors, you should monitor the number of times that the real time status signal `crc24_err` is asserted.

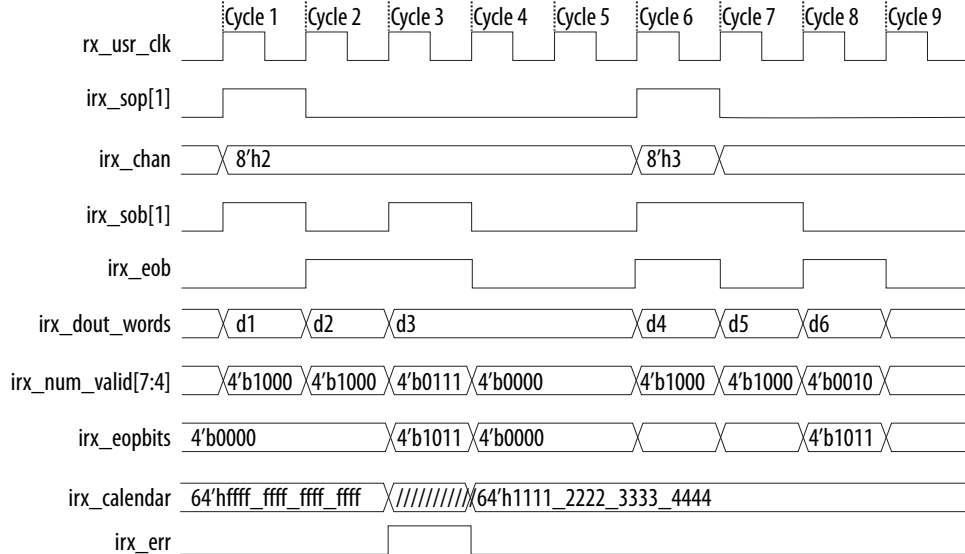
4.4.2.4.1. Example With Errors and In-Band Calendar Bits

This example illustrates the expected behavior of the Interlaken IP core application interface receive signals during a packet transfer with CRC or other errors. In the example, the errored packet transfer is followed by two idle cycles and a non-errored packet transfer.



Figure 12. Interlaken IP Core Receiver Side With irx_err Errors

This figure illustrates the attempted transfer of a 179-byte packet on the RX user data transfer interface to channel 2, after the Interlaken IP core receives the packet on the Interlaken link and detects corruption. Following the errored packet, the IP core transfers an uncorrupted packet to channel 3.



In cycle 1, the Interlaken IP core asserts `irx_sop[1]` when data is ready on `irx_dout_words`. When the Interlaken IP core asserts `irx_sop[1]`, it also asserts the correct value on `irx_chan` to tell the application the data channel destination of the data. In this example, the value 2 on `irx_chan` tells the application that the data should be sent to channel number 2.

During the SOP cycle (labeled with data value d1) and the cycle that follows the SOP cycle (labeled with data value d2), the Interlaken IP core holds the value of `irx_num_valid[7:4]` at 4'b1000. In the following clock cycle, labeled with data value d3, the Interlaken IP core holds the following values on critical output signals:

- `irx_num_valid[7:4]` at the value of 4'b0111 to indicate the current data symbol contains seven 64-bit words of valid data.
- `irx_eopbits[3]` high to indicate the current cycle is an EOP cycle.
- `irx_eopbits[2:0]` at the value of 3'b011 to indicate that only three bytes of the final valid data word are valid data bytes.

This signal behavior, in the absence of the `irx_err` flag, would correctly transfer a data packet with the total packet length of 179 bytes from the Interlaken IP core. However, the Interlaken IP core marks the burst as errored by asserting the `irx_err` signal, even though the `irx_eopbits` signal would appear to indicate the packet is valid.

The application is responsible for discarding the errored packet when it detects that the IP core has asserted the `irx_err` signal. Following the corrupted packet, the IP core waits two idle cycles and then transfers a valid 139-byte packet.



4.5. IP Core Reset

The Interlaken IP core variations have a single asynchronous reset, the `reset_n` signal. The Interlaken IP core manages the initialization sequence internally. After you de-assert `reset_n` (raise it after asserting it low), the IP core automatically goes through the entire reset sequence.

Note: Intel recommends that you hold the `reset_n` signal low for at least the duration of two `mm_clk` cycles, to ensure the reset sequence proceeds correctly.

Following completion of the reset sequence internally, the Interlaken IP core begins link initialization. If your IP core and its Interlaken link partner initialize the link successfully, you can observe the assertion of the lane and link status signals according to the Interlaken specification. For example, you can monitor the `tx_lanes_aligned`, `sync_locked`, `word_locked`, and `rx_lanes_aligned` output status signals.

In Intel Stratix 10 devices, the required wait time from de-asserting the `reset_n` signal to safely accessing the IP core registers is a function of the internal reset controller.

Related Information

- [Intel Stratix 10 GX 2800 L-Tile ES-1 Transceiver PHY User Guide](#)
For more details about the L-tile transceiver reset and dynamic reconfiguration of transceiver channels and PLLs.
- [Intel Stratix 10 L- and H-Tile Transceiver PHY User Guide](#)
For more details about the H-tile transceiver reset and dynamic reconfiguration of transceiver channels and PLLs.

4.6. M20K ECC Support

If you turn on **Enable M20K ECC support** in your Intel Stratix 10 Interlaken IP core variation, the IP core takes advantage of the built-in device support for ECC checking in all M20K blocks configured in the IP core on the device. The feature performs single-error correct, double-adjacent-error correct, and triple-adjacent-error detect ECC functionality in the M20K memory blocks configured in your IP core.

This feature enhances data reliability but increases latency and resource utilization. Without the ECC feature, a single M20K memory block can support a data path width of 40 bits. With the ECC feature, eight of those bits are dedicated to the ECC, and an M20K memory block can support a maximum data path width of 32 bits. Therefore, when M20K ECC support is turned on the IP core configures additional M20K memory blocks. The ECC check adds latency to the path through the memory block, and increases the amount of device memory used by your IP core.

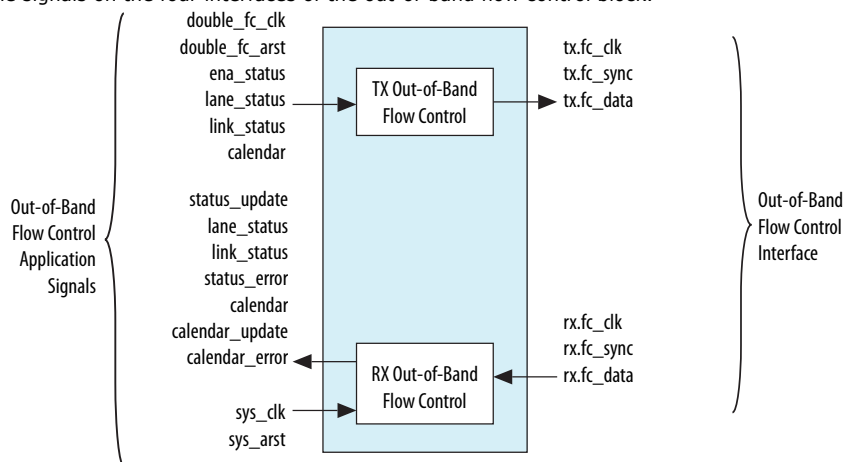
4.7. Out-of-Band Flow Control

The Interlaken IP core includes logic to provide the out-of-band flow control functionality described in the *Interlaken Protocol Specification, Revision 1.2*, Section 5.3.4.2. This optional feature is intended for applications that require transmission rate control.



Figure 13. Out-of-Band Flow Control Block Interface

This figure lists the signals on the four interfaces of the out-of-band flow control block.



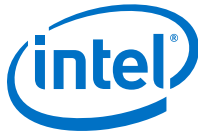
The out-of-band flow control block is provided as two separate modules that can be stitched to the Interlaken IP core and user logic. You can optionally instantiate these blocks in your own custom logic. To enable the use of these out-of-band modules, the signals on the far left side of the figure must be connected to user logic, and the signals on the far right side of the figure should be connected to the complementary flow control blocks of the Interlaken link partner.

You must connect the out-of-band flow control receive and transmit interface signals to device pins.

Table 11. Out-of-Band Flow Control Block Clocks

| Clock Name | Interface | Direction | Recommended Frequency (MHz) | Description |
|------------|----------------|-----------|-----------------------------|----------------------------------------------------------------------------------------------------------------------------------------------------------------------------------------------------------------------------------------------------------------------------------------------------------------------------------------------------------------------------------------------------------------------------------------------------------------------------------------------------------|
| rx.fc_clk | RX Out-of-band | Input | 100 | Clocks the incoming out-of-band flow control interface signals described in the Interlaken specification. This clock is received from an upstream TX out-of-band flow control block associated with the Interlaken link partner. The recommended frequency for the RX fc_clk clock is 100 MHz, which is the maximum frequency allowed by the Interlaken specification. |
| tx.fc_clk | TX Out-of-band | Output | 100 | Clocks the outgoing out-of-band flow control interface signals described in the Interlaken specification. This clock is generated by the out-of-band flow control block and sent to a downstream RX out-of-band flow control block associated with the Interlaken link partner. The frequency of this clock must be half the frequency of the double_fc_clk clock. The recommended frequency for the TX fc_clk clock is 100 MHz, which is the maximum frequency allowed by the Interlaken specification. |
| sys_clk | RX Application | Input | 200 | Clocks the outgoing calendar and status information on the application side of the block. The frequency of this clock must be at least double the frequency of |

continued...



| Clock Name | Interface | Direction | Recommended Frequency (MHz) | Description |
|----------------------------|----------------|-----------|-----------------------------|-------------------------------------------------------------------------------------------------------------------------------------------------------------------------------------------------------------------------------------------------------------------------------------------|
| | | | | the RX input clock <code>fc_clk</code> . Therefore, the recommended frequency for the <code>sys_clk</code> clock is 200 MHz. |
| <code>double_fc_clk</code> | TX Application | Input | 200 | Clocks the incoming calendar and status information on the application side of the block. The frequency of this clock must be double the frequency of the TX output clock <code>fc_clk</code> . Therefore, the recommended frequency for the <code>double_fc_clk</code> clock is 200 MHz. |

The transmit out-of-band flow control interface receives calendar and status information, and transmits flow control clock, data, and sync signals. The TX Out-of-Band Flow Control Interface Signals table describes the transmit out-of-band flow control interface signals specified in the *Interlaken Protocol Specification, Revision 1.2*. The *TX Out-of-Band Flow Control Block Signals for Application Use* table describes the signals on the application side of the TX out-of-band flow control block.

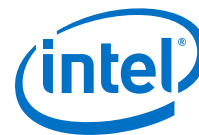
Table 12. TX Out-of-Band Flow Control Interface Signals

| Signal Name | Direction | Width (Bits) | Description |
|-------------------------|-----------|--------------|------------------------------------------------------------------------------------------------------------------------------------------------------------------------------|
| <code>tx.fc_clk</code> | Output | 1 | Output reference clock to a downstream out-of-band RX block. Clocks the <code>fc_data</code> and <code>fc_sync</code> signals. You must connect this signal to a device pin. |
| <code>tx.fc_data</code> | Output | 1 | Output serial data pin to a downstream out-of-band RX block. You must connect this signal to a device pin. |
| <code>tx.fc_sync</code> | Output | 1 | Output sync control pin to a downstream out-of-band RX block. You must connect this signal to a device pin. |

Table 13. TX Out-of-Band Flow Control Block Signals for Application Use

| Signal Name | Direction | Width (Bits) | Description |
|-----------------------------|-----------|-----------------|-----------------------------------------------------------------------------------------------------------------------------------------------------------------------------------------------------------------------------------------------------------------------------------------------------------------|
| <code>double_fc_clk</code> | Input | 1 | Reference clock for generating the flow control output clock <code>fc_clk</code> . The frequency of the <code>double_fc_clk</code> clock must be double the intended frequency of the TX <code>fc_clk</code> output clock. |
| <code>double_fc_arst</code> | Input | 1 | Asynchronous reset for the out-of-band TX block. |
| <code>ena_status</code> | Input | 1 | Enable transmission of the lane status and link status to the downstream out-of-band RX block. If this signal is asserted, the lane and link status information is transmitted on <code>fc_data</code> . If this signal is not asserted, only the calendar information is transmitted on <code>fc_data</code> . |
| <code>lane_status</code> | Input | Number of Lanes | Lane status to be transmitted to a downstream out-of-band RX block if <code>ena_status</code> is asserted. Width is the number of lanes. |
| <code>link_status</code> | Input | 1 | Link status to be transmitted to a downstream out-of-band RX block if <code>ena_status</code> is asserted. |
| <code>calendar</code> | Input | 16 | Calendar status to be transmitted to a downstream out-of-band RX block. |

The receive out-of-band flow control interface receives input flow control clock, data, and sync signals and sends out calendar and status information. The RX Out-of-Band Flow Control Interface Signals table describes the receive out-of-band flow control



interface signals specified in the *Interlaken Protocol Specification, Revision 1.2*. The *RX Out-of-Band Flow Control Block Signals for Application Use* describes the signals on the application side of the RX out-of-band flow control block.

Table 14. RX Out-of-Band Flow Control Interface Signals

| Signal Name | Direction | Width (Bits) | Description |
|-------------|-----------|--------------|----------------------------------------------------------------------------------------------------------------------------------------------------------------|
| rx.fc_clk | Input | 1 | Input reference clock from an upstream out-of-band TX block. This signal clocks the fc_data and fc_sync signals. You must connect this signal to a device pin. |
| rx.fc_data | Input | 1 | Input serial data pin from an upstream out-of-band TX block. You must connect this signal to a device pin. |
| rx.fc_sync | Input | 1 | Input sync control pin from an upstream out-of-band TX block. You must connect this signal to a device pin. |

Table 15. RX Out-of-Band Flow Control Block Signals for Application Use

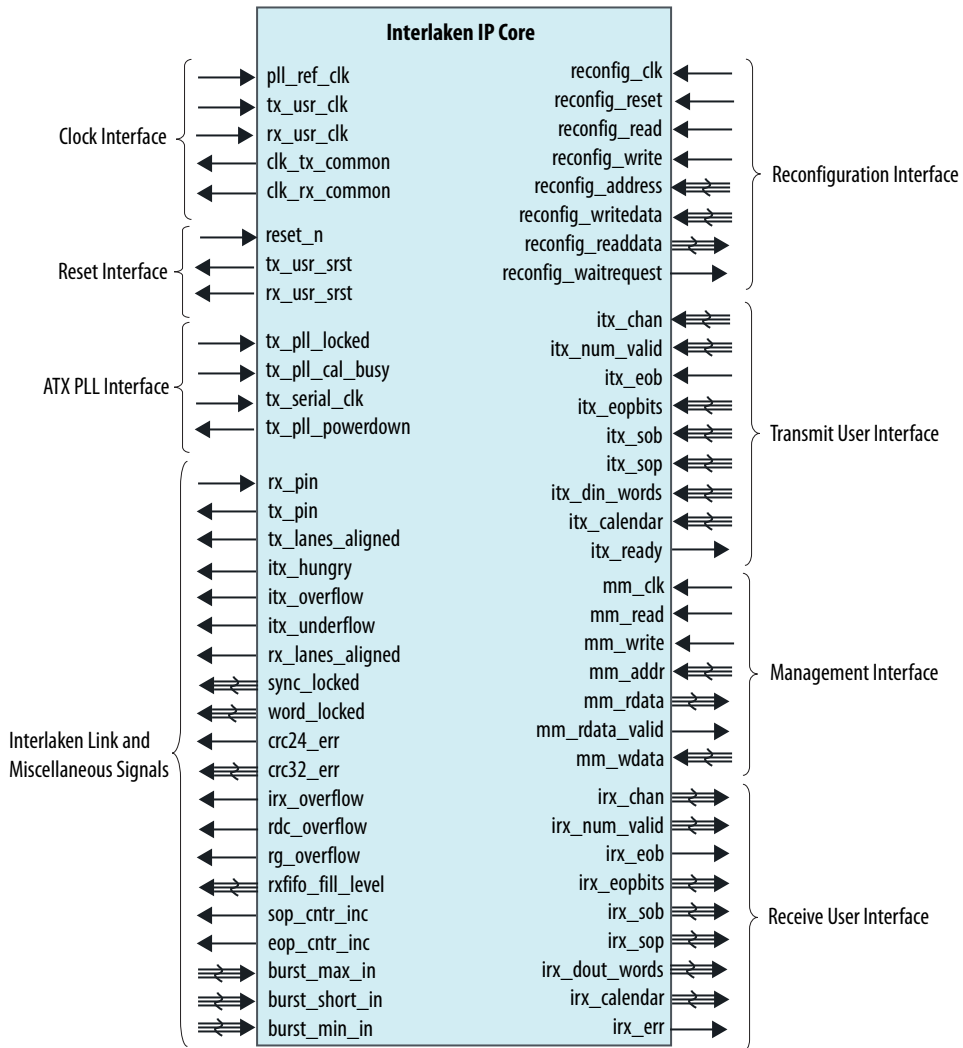
| Signal Name | Direction | Width (Bits) | Description |
|-----------------|-----------|-----------------|------------------------------------------------------------------------------------------------------------------------------------------------------------------------------------------|
| sys_clk | Input | 1 | Reference clock for capturing RX calendar, lane status, and link status. Frequency must be at least double the frequency of the TX fc_clk input clock. |
| sys_arst | Input | 1 | Asynchronous reset for the out-of-band RX block. |
| status_update | Output | 1 | Indicates a new value without CRC4 errors is present on at least one of lane_status or link_status in the current sys_clk cycle. The value is ready to be read by the application logic. |
| lane_status | Output | Number of Lanes | Lane status bits received from an upstream out-of-band TX block on fc_data. Width is the number of lanes. |
| link_status | Output | 1 | Link status bit received from an upstream out-of-band TX block on fc_data. |
| status_error | Output | 1 | Indicates corrupt lane or link status. A new value is present on at least one of lane_status or link_status in the current sys_clk cycle, but the value has at least one CRC4 error. |
| calendar | Output | 16 | Calendar bits received from an upstream out-of-band TX block on fc_data. |
| calendar_update | Output | 1 | Indicates a new value without CRC4 errors is present on calendar in the current sys_clk cycle. The value is ready to be read by the application logic. |
| calendar_error | Output | 1 | Indicates corrupt calendar bits. A new value is present calendar in the current sys_clk cycle, but the value has at least one CRC4 error. |



5. Interface Signals

The IP core communicates with the surrounding design through multiple external signals.

Figure 14. IP Core Interface Signals



Intel Corporation. All rights reserved. Intel, the Intel logo, Altera, Arria, Cyclone, Enpirion, MAX, Nios, Quartus and Stratix words and logos are trademarks of Intel Corporation or its subsidiaries in the U.S. and/or other countries. Intel warrants performance of its FPGA and semiconductor products to current specifications in accordance with Intel's standard warranty, but reserves the right to make changes to any products and services at any time without notice. Intel assumes no responsibility or liability arising out of the application or use of any information, product, or service described herein except as expressly agreed to in writing by Intel. Intel customers are advised to obtain the latest version of device specifications before relying on any published information and before placing orders for products or services.

*Other names and brands may be claimed as the property of others.



5.1. Clock and Reset Interface Signals

Table 16. Clock and Reset Interface Signals

| Signal Name | Width (Bits) | I/O Direction | Description | |
|---------------|--------------|---------------|------------------------------------------------------------------------------------------------------------------------------------------------------------------------------------------------------------------------------------------------------------------------------------------------------------------|-----------------------------------------------------------------|
| pll_ref_clk | 1 | Input | Transceiver reference clock for the RX CDR PLL in IP core variations that target a Intel Stratix 10 device. The sets of valid frequencies vary with the per-lane data rate of the transceivers as following: | |
| | | | Per-Lane Data Rate (Gbps) | Valid pll_ref_clk Frequencies (MHz) |
| | | | 10.3125 | 206.25, 257.8125, 322.265625, 412.5, 515.625, 644.53125 |
| | | | 12.5/6.25 | 156.25, 195.3125, 250, 312.5, 390.625, 500, 625 |
| | | | 25.3 | 126.4, 158.0, 197.5, 252.8, 320.0, 395.0, 505.6 |
| | | | 25.8 | 159.135802, 201.40625, 250.291262, 322.25, 402.8125, 500.582524 |
| tx_usr_clk | 1 | Input | Transmit side user data interface clock. This signal must be driven by clk_tx_common for maximum performance. The lower frequency of tx_clk increases the latency of data path. | |
| rx_usr_clk | 1 | Input | Receive side user data interface clock. This signal must be driven by clk_rx_common for maximum performance. The lower frequency of rx_clk increases the latency of data path. | |
| clk_tx_common | 1 | Output | Transmit PCS common lane clock driven by the SERDES transmit PLL. The frequency is given by the following equation: $\text{Frequency of clk_tx_common} = \text{transceiver data rate} / \text{PMA_WIDTH}$ For example, the clock rate is 322 MHz at 10.3125 Gbps transceiver speed with 32 bits PMA_WIDTH. | |
| clk_rx_common | 1 | Output | Receive PCS common lane clock driven by CDR in transceiver. The frequency is given by the following equation: $\text{Frequency of clk_rx_common} = \text{transceiver data rate} / \text{PMA_WIDTH}$ For example, the clock rate is 322 MHz at 10.3125 Gbps transceiver speed with 32 bits PMA_WIDTH. | |
| reset_n | 1 | Input | Active-low asynchronous reset signal. | |
| tx_usr_srst | 1 | Output | Transmit side reset output signal. Indicates the transmit side user data interface is resetting. This signal is synchronous with tx_usr_clk. | |
| rx_usr_srst | 1 | Output | Receive side reset output. Indicates the receive side user data interface is resetting. This signal is synchronous with rx_usr_clk. | |

Related Information

- [Intel Stratix 10 GX 2800 L-Tile ES-1 Transceiver PHY User Guide](#)
For more details about the L-tile transceiver reset and dynamic reconfiguration of transceiver channels and PLLs.
- [Intel Stratix 10 L- and H-Tile Transceiver PHY User Guide](#)
For more details about the H-tile transceiver reset and dynamic reconfiguration of transceiver channels and PLLs.



5.2. Transmit User Interface Signals

Table 17. Transmit User Interface Signals

| Signal Name | Width (Bits) | I/O Direction | Description |
|---------------|------------------------------|---------------|------------------------------------------------------------------------------------------------------------------------------------------------------------------------------------------------------------------------------------------------------------------------------------------------------------------------------------------------------------------------------------------------------------------------------------------------------------------------------------------------------------------------------------------------------------------------------------------------------------------------------------------------------------------------------------------------------------------------------------------------------------------------------------------------------------------------------------------------------------------------------------------------------------------------------------------------------------------------------------------------------------------------------------------------------------------------------------------------------------------------------------------------------------------------------------------------------------------------------------------------------------------------------------------------------------------------------------------------------------------------------------------------------------------------------------------------------------------|
| itx_chan | 8 | Input | Transmit logic channel number. The IP core supports up to 256 channels. The IP core samples this value only when a bit of itx_sop or itx_sob is high and itx_num_valid has a non-zero value. |
| itx_num_valid | Variable | Input | <p>Indicates the number of valid 64-bit words in the current packet in the current data symbol. The width of the itx_num_valid depends on the parameter internal_words.</p> <ul style="list-style-type: none"> If internal_words=4, then width=3 bits. If internal_words=8, then width=8 bits. If internal_words=16, then width=10 bits. <p>If internal_words is equal to 8:</p> <ul style="list-style-type: none"> itx_num_valid[7:4] indicates the number of valid words in itx_din_words[511:0]. The value can vary from 4'b0000 to 4'b1000. itx_num_valid[3:0] indicates the number of valid words in itx_din_words[255:0]. The value must be either 4'b0100 or 4'b0000. When itx_num_valid[3:0] has the value of 4'b0100, you must also hold itx_sop[0] high. <p>When itx_ready is not asserted, it is non-valid cycle, hence the value of itx_num_valid[7:4] and itx_num_valid[3:0] must be set to 4'b0000.</p> <p>In valid cycles, you must set the value of itx_num_valid[7:4] as following:</p> <ul style="list-style-type: none"> 4'b1000: if all eight words contain valid data from the current packet. 4'b0xxx: where xxx indicates the number of valid words that are part of the current packet, if the number is less than eight. Data is always MSB aligned (left aligned). For example, the value of 4'b0111 indicates that word 0 (bit [63:0]) is not valid. |
| itx_eob | 1 | Input | <p>Indicates the current data symbol contains the end of the burst (EOB). When itx_eopbits[3] or itx_eopbits[0] is valid, the itx_eob is valid too, but not vice-versa.</p> <p>Whenever parameter TX_PKTMOD_ONLY is set to 0, you must provide this signal. Otherwise, when parameter TX_PKTMOD_ONLY is set to 1, the IP core ignores this signal. You are responsible to comply with the BurstMax and BurstMin setting.</p> |
| itx_eopbits | 4 | Input | <p>Indicates whether the current data symbol contains the end of a packet (EOP) with or without an error, and specifies the number of valid bytes in the current end-of-packet, non-error 8-byte data word, if relevant.</p> <p>You must set the value of itx_eopbits as following:</p> <ul style="list-style-type: none"> 4b'0000: no end of packet, no error. 4b'0001: Error and end of packet. 4b'1xxx: End of packet. xxx indicates the number of valid bytes in the final valid 8-byte word of the packet, as following: <ul style="list-style-type: none"> 000: all 8 bytes are valid. 001: 1 byte is valid. ... 111: 7 bytes are valid. <p>All other values (4'b01xx, 4'b001x) are undefined. The valid bytes always start in bit positions [63:56] of the final valid data word of the packet.</p> |
| itx_sob | 2 (or 1 for 4-word use case) | Input | Indicates the current data symbol contains the start of a burst (SOB). If the IP core is in Interleaved mode, you are responsible for providing this start of the burst signal. If the IP core is in Packet mode, the IP core ignores this signal. The IP core samples the itx_chan signal during this cycle. |

continued...



| Signal Name | Width (Bits) | I/O Direction | Description |
|----------------------------|------------------------------|---------------|--------------------------------------------------------------------------------------------------------------------------------------------------------------------------------------------------------------------------------------------------------------------------------------------------------------------------------------------------------------------------------------------------------------------------------------------------------------------------------------------------------------------------------------------------------------------------------------------------------------------------------------------------------------------------------------------------------------------------------------------------------------------------------------------------------------------------------------|
| | | | <p>This signal has the following valid values:</p> <ul style="list-style-type: none"> 2'b00—The current data symbol does not contain the start of a burst. 2'b10— If <code>itx_sob[1]</code> has the value of 1, the start-of-burst aligns with the most significant byte (byte 63) of the data. 2'b01— If <code>itx_sob[0]</code> has the value of 1, the start-of-burst aligns with byte 31 of the data. <p>Typically, you use this mode for sending interleaved packets. However, you can still send non-interleaved packets as long as you provide the <code>itx_sob</code> and <code>itx_eob</code> signal values. You are responsible to comply with the BurstMax and BurstMin setting. If the burst you send is too large, it can overflow the Interlaken transmit buffer.</p> |
| <code>itx_sop</code> | 2 (or 1 for 4-word use case) | Input | <p>Indicates the current data symbol on <code>itx_din_words</code> contains the start of a packet (SOP). This signal has the following valid values:</p> <ul style="list-style-type: none"> 2'b00—The current data symbol does not contain the start of a packet. 2'b10— If <code>itx_sop[1]</code> has the value of 1, the start-of-packet aligns with the most significant byte (byte 63) of the data. 2'b01— If <code>itx_sop[0]</code> has the value of 1, the start-of-packet aligns with byte 31 of the data. |
| <code>itx_din_words</code> | Variable | Input | <p>The 64-bit words of input data (one data symbol). The width of the <code>itx_dout_words</code> depends on the parameter <code>internal_words</code>.</p> <ul style="list-style-type: none"> If <code>internal_words=4</code>, then <code>width=256</code> bits. If <code>internal_words=8</code>, then <code>width=512</code> bits. If <code>internal_words=16</code>, then <code>width=1024</code> bits. <p>When <code>tx_idle</code> or <code>tx_sob</code> is one, the Interlaken IP core ignores matching data word in <code>tx_data</code>. The first and last data word is in [511:448] and [63:0] respectively.</p> |
| <code>itx_calendar</code> | $N * 16$ | Input | <p>Multiple pages (16 bits per page) of calendar input bits. The IP core copies these bits to the in-band flow control bits in <code>N</code> control words that it sends on the Interlaken link. N is the value of the Number of calendar pages parameter, which can be any of 1, 2, 4, 8, or 16. This signal is synchronous with <code>tx_usr_clk</code>, although it is not part of the user data transfer protocol.</p> |
| <code>itx_ready</code> | 1 | Output | <p>Flow control signal to back pressure transmit traffic. When this signal is high, you can send traffic to the IP core. When this signal is low, you should stop sending traffic to the IP core within one to four cycles. You should provide <code>itx_num_valid</code> only after <code>itx_ready</code> is asserted.</p> |

5.3. Receive User Interface Signals

Table 18. Receive User Interface Signals

| Signal Name | Width (Bits) | I/O Direction | Description |
|----------------------------|--------------|---------------|----------------------------------------------------------------------------------------------------------------------------------------------------------------------------------------------------------------------------------------------------------------------------------------------------------------------------------------------------------------------------------------------------------------------------------------------------------------------------------------------------------------------------------------|
| <code>irx_chan</code> | 8 | Output | <p>Receive logic channel number. The IP core supports up to 256 channels. The Interlaken IP core samples this value only when a bit of <code>irx_sop</code> or <code>irx_sob</code> is high and <code>irx_num_valid</code> has a non-zero value.</p> |
| <code>irx_num_valid</code> | Variable | Output | <p>Indicates the number of valid 64-bit words in the current packet in the current data symbol. The width of the <code>irx_num_valid</code> depends on the parameter <code>internal_words</code>.</p> <ul style="list-style-type: none"> If <code>internal_words=4</code>, then <code>width=3</code> bits. If <code>internal_words=8</code>, then <code>width=8</code> bits. If <code>internal_words=16</code>, then <code>width=10</code> bits. <p>If <code>internal_words</code> is equal to 8:</p> |

continued...



| Signal Name | Width (Bits) | I/O Direction | Description |
|-------------|------------------------------|---------------|---------------------------------------------------------------------------------------------------------------------------------------------------------------------------------------------------------------------------------------------------------------------------------------------------------------------------------------------------------------------------------------------------------------------------------------------------------------------------------------------------------------------------------------------------------------------------------------------------------------------------------------------------------------------------------------------------------------------------------------------------------------------------------------------------------------------------------------------------------------------------------------------------------------------------------------------------------------------------------------------------------------|
| | | | <ul style="list-style-type: none"> irx_num_valid[7:4] indicates the number of valid words in irx_din_words[511:0]. The value can vary from 4'b0000 to 4'b1000. irx_num_valid[3:0] indicates the number of valid words in irx_din_words[255:0]. The value must be either 4'b0100 or 4'b0000. When irx_num_valid[3:0] has the value of 4'b0100, the IP core also holds itx_sop[0] high. <p>For all non-valid cycles, IP core sets the value of irx_num_valid[7:4] and irx_num_valid[3:0] to 4'b0000. In valid cycles, the IP core sets the value of irx_num_valid[7:4] as following:</p> <ul style="list-style-type: none"> 4'b1000: if all eight words contain valid data from the current packet. 4'b0xxx: where xxx indicates the number of valid words that are part of the current packet, if the number is less than eight. Data is always MSB aligned (left aligned). For example, the value of 4'b0111 indicates that word 0 (bit [63:0]) is not valid. |
| irx_eob | 1 | Output | Indicates the end of the burst (EOB). This signal toggles in Packet Mode and in Interleaved Mode. |
| irx_eopbits | 4 | Output | <p>Indicates whether the current data symbol contains the end of a packet (EOP) with or without an error, and specifies the number of valid bytes in the current end-of-packet, non-error 8-byte data word, if relevant.</p> <p>IP core sets the value of irx_eopbits as following:</p> <ul style="list-style-type: none"> 4b'0000: no end of packet, no error. 4b'0001: Error and end of packet. 4b'1xxx: End of packet. xxx indicates the number of valid bytes in the final valid 8-byte word of the packet, as following: <ul style="list-style-type: none"> 000: all 8 bytes are valid. 001: 1 byte is valid. ... 111: 7 bytes are valid. <p>All other values (4'b01xx, 4'b001x) are undefined. The valid bytes always start in bit positions [63:56] of the final valid data word of the packet.</p> |
| irx_sob | 2 (or 1 for 4-word use case) | Output | <p>Indicates the start of a burst (SOB). This signal toggles in Packet Mode and in Interleaved Mode.</p> <p>This signal has the following valid values:</p> <ul style="list-style-type: none"> 2'b00—The current data symbol does not contain the start of a burst. 2'b10— If irx_sob[1] has the value of 1, the start-of-burst aligns with the most significant byte (byte 63) of the data. 2'b01— If irx_sob[0] has the value of 1, the start-of-burst aligns with byte 31 of the data. |
| irx_sop | 2 (or 1 for 4-word use case) | Output | <p>Indicates the current data symbol on irx_dout_words contains the start of a packet (SOP). This signal has the following valid values:</p> <ul style="list-style-type: none"> 2'b00—The current data symbol does not contain the start of a packet. 2'b10— If irx_sop[1] has the value of 1, the start-of-packet aligns with the most significant byte (byte 63) of the data. 2'b01— If irx_sop[0] has the value of 1, the start-of-packet aligns with byte 31 of the data. |

continued...



| Signal Name | Width (Bits) | I/O Direction | Description |
|----------------|--------------|---------------|-----------------------------------------------------------------------------------------------------------------------------------------------------------------------------------------------------------------------------------------------------------------------------------------------------------------------------------------------------------------------------------------------------------------------------------------------------------------------------------------------------------------------------------------------------------------------------------------------------------------------------------------------------------------------------------------------------------------------------------|
| irx_dout_words | Variable | Output | The 64-bit words of input data (one data symbol). The width of the <code>irx_din_words</code> depends on the parameter <code>internal_words</code> . <ul style="list-style-type: none"> If <code>internal_words=4</code>, then <code>width=256</code> bits. If <code>internal_words=8</code>, then <code>width=512</code> bits. If <code>internal_words=16</code>, then <code>width=1024</code> bits. When <code>rx_idle</code> or <code>rx_sob</code> is one, the matching <code>rx_data</code> words are invalid. The first and last data word is in [511:448] and [63:0] respectively. When <code>irx_num_valid</code> has the value of zero, you should ignore <code>irx_dout_words</code> . |
| irx_calendar | $N * 16$ | Output | Multiple pages (16 bits per page) of calendar input bits. The value is the in-band flow control bits from <code>N</code> control words on the incoming Interlaken link. N is the value of the Number of calendar pages parameter, which can be any of 1, 2, 4, 8, or 16. This signal is synchronous with <code>rx_usr_clk</code> , although it is not part of the user data transfer protocol. |
| irx_err | 1 | Output | Indicates an errored packet. This signal is valid only when <code>irx_eob</code> is asserted. |

5.4. Management Interface Signals

Table 19. Management Interface Signals

| Signal Name | Width (Bits) | I/O Direction | Description |
|----------------|--------------|---------------|-----------------------------------------------------------------------------------------------------------------------------------------------------------------------------------------------------------|
| mm_clk | 1 | Input | Management clock. Clocks the register accesses. It is also used for clock rate monitoring and some analog calibration procedures. You must run this clock at a frequency in the range of 100 MHz–125 MHz. |
| mm_read | 1 | Input | Read access to the register ports. |
| mm_write | 1 | Input | Write access to the register ports. |
| mm_addr | 16 | Input | Address to access the register ports. |
| mm_rdata | 32 | Output | When <code>mm_rdata_valid</code> is high, <code>mm_rdata</code> holds valid read data. |
| mm_rdata_valid | 1 | Output | Valid signal for <code>mm_rdata</code> . |
| mm_wdata | 32 | Input | When <code>mm_write</code> is high, <code>mm_wdata</code> holds valid write data. |

5.5. Reconfiguration Interface Signals

Table 20. Reconfiguration Interface Signals

| Signal Name | Width (Bits) | I/O Direction | Description |
|----------------|--------------|---------------|------------------------------------------------------------------------------------------------------------------------|
| reconfig_clk | 1 | Input | Intel Stratix 10 transceiver reconfiguration interface clock. |
| reconfig_reset | 1 | Input | Active-high synchronous reset. Assert this signal to reset the Intel Stratix 10 transceiver reconfiguration interface. |
| reconfig_read | 1 | Input | Read access to the Intel Stratix 10 hard PCS registers. |
| reconfig_write | 1 | Input | Write access to the Intel Stratix 10 hard PCS registers. |

continued...



| Signal Name | Width (Bits) | I/O Direction | Description |
|----------------------|----------------|---------------|--------------------------------------------------------------------------------------------------------------------------------------------|
| reconfig_address | RECONF_ADDR+10 | Input | Address to access the hard PCS registers. This signal holds both the hard PCS register offset and the transceiver channel being addressed. |
| reconfig_writedata | 32 | Input | When reconfig_write is high, reconfig_writedata holds valid write data. |
| reconfig_readdata | 32 | Output | After user logic asserts the reconfig_read signal, when the IP core deasserts the signal, reconfig_readdata holds valid read data. |
| reconfig_waitrequest | 1 | Output | Busy signal for reconfig_readdata. |

Related Information

- [Avalon Interface Specifications](#)
- [Intel Stratix 10 GX 2800 L-Tile ES-1 Transceiver PHY User Guide](#)
For more details about the L-tile transceiver reset and dynamic reconfiguration of transceiver channels and PLLs.
- [Intel Stratix 10 L- and H-Tile Transceiver PHY User Guide](#)
For more details about the H-tile transceiver reset and dynamic reconfiguration of transceiver channels and PLLs.

5.6. Interlaken Link and Miscellaneous Signals

Table 21. SERDES Pins

| Signal Name | Width (Bits) | I/O Direction | Description |
|-------------|-----------------|---------------|---------------------------------------------------------------------|
| rx_pin | Number of lanes | Input | Each bit represents the differential pair on an RX Interlaken lane. |
| tx_pin | Number of lanes | Output | Each bit represents the differential pair on a TX Interlaken lane. |

Table 22. Real-Time Transmitter Status Signals

| Signal Name ⁽³⁾ | Width (Bits) | I/O Direction | Description |
|----------------------------|--------------|---------------|---------------------------------------------------------------------------------------------------------------------------------------------------------------------------------------------------------------------------------------------------------------------------------------------------------------------------|
| tx_lanes_aligned | 1 | Output | Indicates whether all of the transmitter lanes are aligned and are ready to send traffic. |
| itx_overflow | 1 | Output | An error flag indicating that the Transmit buffer is currently overflowing. This signal is asserted for the duration of the overflow condition: it is asserted in the first clock cycle in which the overflow occurs, and remains asserted until the Transmit buffer pointers indicate that no overflow condition exists. |
| itx_underflow | 1 | Output | An error flag indicating that the Transmit buffer is currently underflowed. In normal operation, this signal may be asserted temporarily immediately after the Interlaken IP core comes out of reset. It is asserted as a single cycle wide pulse. |

⁽³⁾ Synchronous with tx_usr_clk.



Table 23. Real-Time Receiver Status Signals

| Signal Name ⁽⁴⁾ | Width (Bits) | I/O Direction | Description |
|----------------------------|-------------------|---------------|---------------------------------------------------------------------------------------------------------------------------------------------------------------------------------------------------------------------------------------------|
| rx_lanes_aligned | 1 | Output | Indicates whether all of the receiver lanes are aligned and are ready to receive traffic. |
| sync_locked | Number of lanes | Output | Receive lane has locked on the remote transmitter Meta Frame. These signals are level signals: all bits are expected to stay high unless a problem occurs on the serial line. |
| word_locked | Number of lanes | Output | Receive lane has identified the 67-bit word boundaries in the serial stream. These signals are level signals: all bits are expected to stay high unless a problem occurs on the serial line. |
| crc24_err | 1 | Output | A CRC24 error flag covering both control word and data word. You can use this signal to count the number of CRC24 errors. This signal is asserted as a single cycle wide pulse. |
| crc32_err | Number of lanes | Output | An error flag indicating diagnostic CRC32 failures per lane. This signal is asserted as a single cycle wide pulse. |
| irx_overflow | 0 | Output | This signal is tied to 0 and it is not used. |
| rdc_overflow | 0 | Output | This signal is tied to 0 and it is not used. |
| rg_overflow | 1 | Output | An error flag indicating that the Reassembly FIFO is currently overflowed. The Reassembly FIFO is the receiver FIFO that feeds directly to the user data interface. |
| rxfifo_fill_level | RXFIFO_ADDR_WIDTH | Output | The fill level of the Reassembly FIFO, in units of 64-bit words. The width of this signal is the value of the RXFIFO_ADDR_WIDTH parameter, which is 12 by default. You can use this signal to monitor when the RX Reassembly FIFO is empty. |
| sop_cntr_inc | 1 | Output | A pulse indicating that the IP core receiver user data interface received a start-of-packet (SOP). You can use this signal to increment a count of SOPs the application observes on the receive interface. |
| eop_cntr_inc | 1 | Output | A pulse indicating that the IP core receiver user data interface received an end-of-packet (EOP). You can use this signal to increment a count of EOPs the application observes on the receive interface. |
| nad_cntr_inc | 0 | Output | This signal is tied to 0 and it is not used. |

Table 24. Burst Control Settings

| Signal Name | Width (Bits) | I/O Direction | Description |
|--------------|--------------|---------------|---------------------------------------------------------------------------------------------------------------------------------------------------------------------------------------------------------------------------------------------------------------------------------------------------------------------------------------------------------------------------------------------------------------------------------------|
| burst_max_in | 4 | Input | Encodes the BurstMax parameter for the IP core. The actual value of the BurstMax parameter must be a multiple of 64 bytes. While traffic is present, this input signal should remain static. However, when no traffic is present, you can modify the value of the <code>burst_max_in</code> signal to modify the BurstMax value of the IP core. The IP core supports the following valid values for this signal: |

continued...

⁽⁴⁾ Synchronous with `rx_usr_clk`.



| Signal Name | Width (Bits) | I/O Direction | Description |
|----------------|--------------|---------------|---------------------------------------------------------------------------------------------------------------------------------------------------------------------------------------------------------------------------------------------------------------------------------------------------------------------------------------------------------------------------------------------------------------------------------------------------------------------------------------------------------------------------------------------------------------------------------------------------------------------------------------------------------------------------------------------------|
| | | | <ul style="list-style-type: none"> 4'b0010: 128 bytes 4'b0100: 256 bytes 4'b1000: 512 bytes⁽⁵⁾ |
| burst_short_in | 4 | Input | Encodes the BurstShort parameter for the IP core. The IP core supports the following valid value for this parameter: <ul style="list-style-type: none"> 4'b0001: 32 bytes 4'b0010: 64 bytes In general, the presence of the BurstMin parameter makes the BurstShort parameter obsolete. |
| burst_min_in | 4 | Input | Encodes the BurstMin parameter for the IP core. The IP core supports the following valid values for this signal: <ul style="list-style-type: none"> 4'b0000: Disable optional enhanced scheduling. If you disable enhanced scheduling, performance is non-optimal. 4'b0001: 32 bytes⁽⁶⁾ 4'b0010: 64 bytes 4'b0100: 128 bytes The BurstMin parameter should have a value that is less than or equal to half of the value of the BurstMax parameter. Intel recommends that you modify the value of this input signal only when no traffic is present on the TX user data interface. You do not need to reset the IP core. |

Table 25. ECC Status Signals

| Signal Name | Width (Bits) | I/O Direction | Description |
|---------------|--------------|---------------|-----------------------------------------------------------------------------------------------------------------------------------------------------------|
| itx_eccstatus | 2 | Output | Indicates the TX ECC status. <ul style="list-style-type: none"> Bit 1: Correctable error status Bit 0: Uncorrectable error status |
| irx_eccstatus | 2 | Output | Indicates the RX ECC status. <ul style="list-style-type: none"> Bit 1: Correctable error status Bit 0: Uncorrectable error status |

5.7. External PLL Interface Signals

Table 26. ATX PLL Interface Signals

| Signal Name | Width (Bits) | I/O Direction | Description |
|------------------|--------------|---------------|------------------------------------------------------------------------------------------------------------------------------------|
| tx_pll_locked | 1 | Input | PLL-locked indication from external TX PLL. |
| tx_pll_cal_busy | 1 | Input | PLL-busy indication from external TX PLL. |
| tx_serial_clk | NUM_LANES | Input | High-speed clock for Intel Stratix 10 transceiver channel, provided from external TX PLL. |
| tx_pll_powerdown | 1 | Output | Output signal from the IP core internal reset controller. The IP core asserts this signal to tell the external PLLs to power down. |

⁽⁵⁾ This value is not supported in `internal_words=4`.

⁽⁶⁾ This value is not supported in `internal_words=8` and `internal_words=16`.



Related Information

- [Intel Stratix 10 GX 2800 L-Tile ES-1 Transceiver PHY User Guide](#)
For more details about the L-tile transceiver reset and dynamic reconfiguration of transceiver channels and PLLs.
- [Intel Stratix 10 L- and H-Tile Transceiver PHY User Guide](#)
For more details about the H-tile transceiver reset and dynamic reconfiguration of transceiver channels and PLLs.



6. Register Map

The Interlaken IP core control registers are 32 bits wide and are accessible to you using the management interface, an Avalon-MM interface which conforms to the *Avalon Interface Specifications*. This table lists the registers available in the IP core. All unlisted locations are reserved.

Table 27. IP Core Register Map

| Offset | Name | R/W | Description |
|--------|-------------|-----|------------------------------------------------------------------------------------------------------------------------------------------------------------------------------------------------------------------------------------|
| 8'h0 | PCS_BASE | RO | [31:8] – Constant "HSI" ASCII [7:0] – version number Despite its name, this register does not encode the hard PCS base address. |
| 8'h1 | LANE_COUNT | RO | Number of lanes |
| 8'h3 | ELAPSED_SEC | RO | [23:0] - Elapsed seconds since power up. The IP core calculates this value from the management interface clock (<code>mm_clk</code>) for diagnostic purposes. During continuous operation, this value rolls over every 194 days. |
| 8'h4 | TX_EMPTY | RO | [NUM_LANES-1:0] – Transmit FIFO status (empty) |
| 8'h5 | TX_FULL | RO | [NUM_LANES-1:0] – Transmit FIFO status (full) |
| 8'h6 | TX_PEMPTY | RO | [NUM_LANES-1:0] – Transmit FIFO status (partially empty) |
| 8'h7 | TX_PFULL | RO | [NUM_LANES-1:0] – Transmit FIFO status (partially full) |
| 8'h8 | RX_EMPTY | RO | [NUM_LANES-1:0] – Receive FIFO status (empty) |
| 8'h9 | RX_FULL | RO | [NUM_LANES-1:0] – Receive FIFO status (full) |
| 8'hA | RX_PEMPTY | RO | [NUM_LANES-1:0] – Receive FIFO status (partially empty) |
| 8'hB | RX_PFULL | RO | [NUM_LANES-1:0] – Receive FIFO status (partially full) |
| 8'hD | RX_KHZ | RO | RX recovered clock frequency (kHz) |
| 8'hE | TX_KHZ | RO | TX serial clock frequency (kHz) |
| 8'h10 | PLL_LOCKED | RO | Bit[0] – Transmit PLL lock indication. One lock indicator per transceiver block. Bits that correspond to unused transceiver block PLLs are forced to 1. |
| 8'h11 | FREQ_LOCKED | RO | [NUM_LANES-1:0] – Clock data recovery is frequency locked on the inbound data stream |
| 8'h12 | LOOPBACK | RW | [NUM_LANES-1:0] – For each lane, write a 1 to activate internal TX to RX serial loopback mode, or write a 0 to disable the loopback for normal operation. |
| 8'h13 | RESET | RW | Bit 9 : 1 = Force lock to data mode Bit 8 : 1 = Force lock to reference mode Bit 7 : 1 = Synchronously clear the TX-side error counters and sticky flags |

continued...

Intel Corporation. All rights reserved. Intel, the Intel logo, Altera, Arria, Cyclone, Enpirion, MAX, Nios, Quartus and Stratix words and logos are trademarks of Intel Corporation or its subsidiaries in the U.S. and/or other countries. Intel warrants performance of its FPGA and semiconductor products to current specifications in accordance with Intel's standard warranty, but reserves the right to make changes to any products and services at any time without notice. Intel assumes no responsibility or liability arising out of the application or use of any information, product, or service described herein except as expressly agreed to in writing by Intel. Intel customers are advised to obtain the latest version of device specifications before relying on any published information and before placing orders for products or services.

*Other names and brands may be claimed as the property of others.

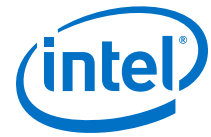
ISO
9001:2008
Registered



| Offset | Name | R/W | Description |
|--------|------------------|-----|--------------------------------------------------------------------------------------------------------------------------------------------------------------------------------------------------------------------------------------------------------------------------------------------------------------------------------------------------------|
| | | | Bit 6 : 1 = Synchronously clear the RX-side error counters and sticky flags The normal operating state for this register is all zeros, to allow automatic reset control. These bits are intended primarily for hardware debugging use. Bits 6 and 7 are convenient for monitoring long stretches of error-free operation. |
| 8'h20 | ALIGN | RO | Bit 0 : TX lanes are aligned Bit 1 : RX lanes are aligned. |
| 8'h21 | WORD_LOCK | RO | [NUM_LANES-1:0] - Word (block) boundaries have been identified in the RX stream. |
| 8'h22 | SYNC_LOCK | RO | [NUM_LANES-1:0] - Metaframe synchronization has been achieved. |
| 8'h23 | CRC0 | RO | 4 bit counters indicating CRC errors in lanes [7:0]. These saturates at F, and you clear them by setting bit 6 in the RESET register. |
| 8'h24 | CRC1 | RO | 4 bit counters indicating CRC errors in lanes [15:8]. These saturates at F, and you clear them by setting bit 6 in the RESET register. |
| 8'h25 | CRC2 | RO | 4 bit counters indicating CRC errors in lanes [23:16]. These saturates at F, and you clear them by setting bit 6 in the RESET register. |
| 8'h26 | CRC3 | RO | 4 bit counters indicating CRC errors in lanes [31:24]. These saturates at F, and you clear them by setting bit 6 in the RESET register. |
| 8'h28 | RX_LOA | RO | Bit [0] - Sticky flag indicating loss of RX side lane-to-lane alignment since this bit was last cleared through the RESET register. Typically, the IP core asserts this bit in case of a catastrophic problem such as one or more lanes going down. |
| 8'h29 | TX_LOA | RO | Bit [0] - Sticky flag indicating loss of TX side lane to lane alignment since this bit was last cleared through the RESET register. Typically, the IP core asserts this bit in case of a TX FIFO underflow / overflow caused by a significant deviation from the expected data flow rate through the TX PCS. |
| 8'h38 | CRC32_ERR_INJECT | RW | [NUM_LANES-1:0] - When a bit has the value of 1, the IP core injects CRC32 errors on the corresponding TX lane. When it has the value of 0, the IP core does not inject errors on the TX lane. You must maintain each bit at the value of 1 for the duration of a Meta Frame, at least, to ensure that the IP core transmits at least one CRC32 error. |

Related Information

[Avalon Interface Specifications](#)



7. Test Features

Depending on the features you turn on in the IP parameter editor, your Interlaken IP core supports the following test features:

7.1. Internal Serial Loopback Mode

The Interlaken IP core supports an internal TX to RX serial loopback mode.

To turn on internal serial loopback:

- Reset the IP core by asserting and then deasserting the active low `reset_n` signal.
- After reset completes, set the value of bits [NUM_LANES-1:0] of the `LOOPBACK` register at offset 0x12 to all ones.
Note: Refer to "IP Core Reset" for information about the required wait period for register access.
- Monitor the RX lanes aligned bit (bit 0) of the `ALIGN` register at offset 0x20 or the `rx_lanes_aligned` output signal. After the RX lanes are aligned, the IP core is in internal serial loopback mode.

Resetting the IP core turns off internal serial loopback. To turn off internal serial loopback:

- Reset the IP core by asserting and then deasserting the active low `reset_n` signal. Resetting the IP core sets the value of bits [NUM_LANES-1:0] of the `LOOPBACK` register at offset 0x12 to all zeros.
- Monitor the RX lanes aligned bit (bit 0) of the `ALIGN` register at offset 0x20 or the `rx_lanes_aligned` output signal. After the RX lanes are aligned, the IP core is in normal operational mode.

Related Information

[IP Core Reset](#) on page 34

7.2. External Loopback Mode

The Interlaken IP core operates correctly in an external loopback configuration.

To put the IP core in external loopback mode, connect the TX lanes to the RX lanes of the IP core. This mode does not require any special programming of the IP core.



8. Document Revision History for Interlaken (2nd Generation) Intel FPGA IP User Guide

| Document Version | Intel Quartus Prime Version | Changes |
|------------------|-----------------------------|-------------------------------------------------------------------------------------------------------------------------------------------------------------------------------------------------------------------------------------------------------------------------------------------------------------------------------------------------------------------------------------------------------------------------------------------------------------------------------------------------------------------------------------------------------------------------------------------------------------------------------------------------------------------------------------------------------------------------------------------------------------------------------------------------------------------------------------------------------------------------------------------------------|
| 2018.05.07 | 18.0 | <ul style="list-style-type: none"> Renamed the document as <i>Interlaken (2nd Generation) Intel FPGA IP User Guide</i> Added new 25.8 Gbps data rate support for number of lanes 6 and 12. Added Cadence Xcelium Parallel simulator support. Added new section <i>Integrating Your IP Core in Your Design</i> explaining how to make appropriate pin assignments and add external PLL. Added the Transceiver reference clock frequency for 25.8 Gbps data rate in the <i>Table: Interlaken IP Core Parameter Settings: IP Tab</i> and <i>Table: Clock and Reset Interface Signals</i>. Modified default setting value for the Tx Scrambler Seed parameter in <i>Table: Interlaken IP Core Parameter Settings: IP Tab</i> Clarified the direction of the IP core clocks in <i>Table: Interlaken IP Core Clocks</i>. |

| Date | Version | Changes |
|---------------|------------|----------------------------------------------------------------------------------------------------------------------------------------------------------------------------------------------------------------------------------------------------------------------------------------------------------------------------------------------------------------------------------------------------------------------------------------------------------------------------------------------------------------------------------------------------------------------------------------------------------------------------------------------------------------------------------------------------------------------------------------------------------------------------------------------------------------------------------------------------|
| November 2017 | 2017.11.06 | <ul style="list-style-type: none"> Updated for Intel Quartus Prime Pro Edition 17.1 release. Updated support for the Intel Stratix 10 devices with L-Tile and H-Tile transceivers in <i>Table: IP Core Supported Combinations of Number of Lanes and Data Rate</i>. Added the resource utilization numbers for 25.3 Gbps data rate in <i>Table: FPGA Resource Utilization</i>. Added support for Cadence NCSim simulator. Added new parameter Transceiver Tile in <i>Table: Interlaken IP Core Parameter Settings: IP Tab</i>. Removed 412.5 MHz <code>p11_ref_clk</code> frequency support for 25.3 Gbps data rate in <i>Table: Clock and Reset Interface Signals</i>. Added new signal <code>nad_cntr_inc</code> in <i>Table: Real-Time Receiver Status Signals</i>. |
| May 2017 | 2017.05.08 | <ul style="list-style-type: none"> Updated the resource utilization in <i>Table: FPGA Resource Utilization</i>. Added the new supported combinations of number of lanes and data rate (6x25.3G and 12x25.3G) in <i>Table: IP Core Supported Combinations of Number of Lanes and Data Rate</i> Corrected the steps for <i>Specifying the IP Core Parameters and Options</i>. Added the transceiver reference clock frequency for 25.3 Gbps data rate in the <i>Table: Interlaken IP Core Parameter Settings</i> and <i>Table: Clock and Reset Interface Signals</i>. |
| December 2016 | 2016.12.19 | <ul style="list-style-type: none"> Dynamic reconfiguration support is now available for Intel Stratix 10 devices. Added a new parameter <code>VCCR_GXB</code> and <code>VCCT_GXB</code> supply voltage for the transceivers in the <i>table: Interlaken IP Core Parameter Settings</i>. |
| August 2016 | 2016.08.08 | Initial version for Quartus Prime Pro – Stratix 10 Edition Beta software. |

Intel Corporation. All rights reserved. Intel, the Intel logo, Altera, Arria, Cyclone, Enpirion, MAX, Nios, Quartus and Stratix words and logos are trademarks of Intel Corporation or its subsidiaries in the U.S. and/or other countries. Intel warrants performance of its FPGA and semiconductor products to current specifications in accordance with Intel's standard warranty, but reserves the right to make changes to any products and services at any time without notice. Intel assumes no responsibility or liability arising out of the application or use of any information, product, or service described herein except as expressly agreed to in writing by Intel. Intel customers are advised to obtain the latest version of device specifications before relying on any published information and before placing orders for products or services.

*Other names and brands may be claimed as the property of others.

ISO
9001:2008
Registered