

DMA Accelerator Functional Unit (AFU) User Guide

Updated for Intel® Acceleration Stack for Intel® Xeon® CPU with FPGAs: **1.0 Production**



[Subscribe](#)

[Send Feedback](#)

UG-20127 | 2018.04.11

Latest document on the web: [PDF](#) | [HTML](#)



Contents

- 1. About this Document..... 3**
 - 1.1. Intended Audience.....3
 - 1.2. Conventions.....3
 - 1.3. Acronyms..... 3
 - 1.4. Acceleration Glossary..... 4

- 2. DMA AFU Description..... 5**
 - 2.1. Introduction.....5
 - 2.2. The DMA AFU Software Package..... 5
 - 2.3. The DMA AFU Hardware Components..... 6
 - 2.3.1. DMA Test System.....9
 - 2.3.2. DMA BBB..... 11
 - 2.4. Building the DMA AFU.....12

- 3. Register Map and Address Spaces..... 13**
 - 3.1. DMA AFU Register Map..... 13
 - 3.1.1. DMA AFU Address Space..... 14

- 4. Software Programming Model..... 16**
 - 4.1. Software APIs.....16
 - 4.1.1. fpgaDmaOpen().....16
 - 4.1.2. fpgaDmaTransferSync()..... 16
 - 4.1.3. fpgaDmaClose().....17

- 5. Running DMA AFU Example..... 18**

- 6. Document Revision History for the DMA Accelerator Functional Unit (AFU) User Guide..... 20**



1. About this Document

1.1. Intended Audience

The intended audience comprises hardware or software developers that require an Accelerator Function (AF) to buffer data locally in memory connected to the Intel FPGA device.

1.2. Conventions

Table 1. Document Conventions

Convention	Description
#	Precedes a command that indicates the command is to be entered as root.
\$	Indicates a command is to be entered as a user.
This font	Filenames, commands, and keywords are printed in this font. Long command lines are printed in this font. Although long command lines may wrap to the next line, the return is not part of the command; do not press enter.
<variable_name>	Indicates the placeholder text that appears between the angle brackets must be replaced with an appropriate value. Do not enter the angle brackets.

1.3. Acronyms

Table 2. Acronyms

Acronyms	Expansion	Description
AF	Accelerator Function	Compiled Hardware Accelerator image implemented in FPGA logic that accelerates an application.
AFU	Accelerator Functional Unit	Hardware Accelerator implemented in FPGA logic which offloads a computational operation for an application from the CPU to improve performance.
API	Application Programming Interface	A set of subroutine definitions, protocols, and tools for building software applications.
ASE	AFU Simulation Environment	Co-simulation environment that allows you to use the same host application and AF in a simulation environment. ASE is part of the Intel Acceleration Stack for FPGAs.
CCI-P	Core Cache Interface	CCI-P is the standard interface AFUs use to communicate with the host.
CL	Cache Line	64-byte cache line
<i>continued...</i>		

Intel Corporation. All rights reserved. Intel, the Intel logo, Altera, Arria, Cyclone, Enpirion, MAX, Nios, Quartus and Stratix words and logos are trademarks of Intel Corporation or its subsidiaries in the U.S. and/or other countries. Intel warrants performance of its FPGA and semiconductor products to current specifications in accordance with Intel's standard warranty, but reserves the right to make changes to any products and services at any time without notice. Intel assumes no responsibility or liability arising out of the application or use of any information, product, or service described herein except as expressly agreed to in writing by Intel. Intel customers are advised to obtain the latest version of device specifications before relying on any published information and before placing orders for products or services.

*Other names and brands may be claimed as the property of others.

ISO
9001:2008
Registered

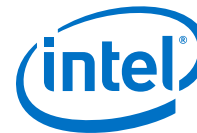


Acronyms	Expansion	Description
DFH	Device Feature Header	Creates a linked list of feature headers to provide an extensible way of adding features.
FIM	FPGA Interface Manager	The FPGA hardware containing the FPGA Interface Unit (FIU) and external interfaces for memory, networking, etc. The Accelerator Function (AF) interfaces with the FIM at run time.
FIU	FPGA Interface Unit	FIU is a platform interface layer that acts as a bridge between platform interfaces like PCIe*, UPI and AFU-side interfaces such as CCI-P.
MPF	Memory Properties Factory	The MPF is a Basic Building Block (BBB) that AFUs can use to provide CCI-P traffic shaping operations for transactions with the FIU.

1.4. Acceleration Glossary

Table 3. Acceleration Stack for Intel® Xeon® CPU with FPGAs Glossary

Term	Abbreviation	Description
Intel® Acceleration Stack for Intel Xeon® CPU with FPGAs	Acceleration Stack	A collection of software, firmware and tools that provides performance-optimized connectivity between an Intel FPGA and an Intel Xeon processor.
Intel Programmable Acceleration Card with Intel Arria® 10 GX FPGA	Intel PAC with Intel Arria 10 GX FPGA	PCIe accelerator card with an Intel Arria 10 FPGA. Programmable Acceleration Card is abbreviated PAC. Contains a FPGA Interface Manager (FIM) that connects to an Intel Xeon processor over PCIe bus.
Intel Xeon Scalable Platform with Integrated FPGA	Integrated FPGA Platform	A platform with the Intel Xeon and FPGA in a single package and sharing a coherent view of memory using the Intel Ultra Path Interconnect (UPI).



2. DMA AFU Description

2.1. Introduction

The Direct Memory Access (DMA) AFU example shows how to manage memory transfers between the host processor and the FPGA. You can integrate the DMA AFU into your design to move data between the host memory and the FPGA local memory. Connecting a local memory directly to the FPGA should improve performance significantly for applications that frequently access FPGA memory.

The DMA AFU comprises the following submodules:

- Asynchronous Shim Basic Building Block (BBB)
- Memory Properties Factory (MPF) BBB
- Core Cache Interface (CCI-P) to the Avalon® Memory-Mapped (Avalon-MM) Adapter
- DMA Test System which contains the DMA BBB

These submodules are described in more detail in the *DMA AFU Hardware Components* topic below.

Related Information

- [The DMA AFU Hardware Components](#) on page 6
- [Avalon Interface Specifications](#)
For more information about the Avalon-MM protocol, including timing diagrams for read and write transactions.

2.2. The DMA AFU Software Package

The Intel Acceleration Stack for Intel Xeon CPU with FPGAs package file (.tar.gz), includes the DMA AFU example. This example provides a user space driver. The driver programs the host application to use the DMA to move data between host and FPGA memory. The hardware binaries, sources, and the user space driver are available in the following directory: `<installation_path>/hw/samples/dma_afu`.

Before experimenting with the DMA AFU, you must install the Open Programmable Acceleration Engine (OPAE) software package. Refer to *Installing the OPAE Software Package* in the *Intel Acceleration Stack Quick Start Guide for Intel Programmable Acceleration Card with Intel Arria 10 GX FPGA* for installation instructions. This *Quick Start Guide* also includes basic information about the Open Programmable Acceleration Engine (OPAE) and configuring an AFU.



After installing the Open Programmable Acceleration Engine (OPAE) software package, a sample host application and the DMA AFU are available in the following directory: `<installation_path>/hw/samples/dma_afu/sw`. A sample application, `fpga_dma_test` implements the DMA AFU user space driver.

Related Information

[Installing the OPAE Software Package](#)

2.3. The DMA AFU Hardware Components

The DMA AFU interfaces with the FPGA Interface Unit (FIU) and two banks of local DDR4-SDRAM. The total memory addressable on the device is 8 gigabytes (8 GB). The memory comprises two, 4 GB banks.

Note: The currently available hardware dictates this memory configuration. Future hardware may support different memory configurations.

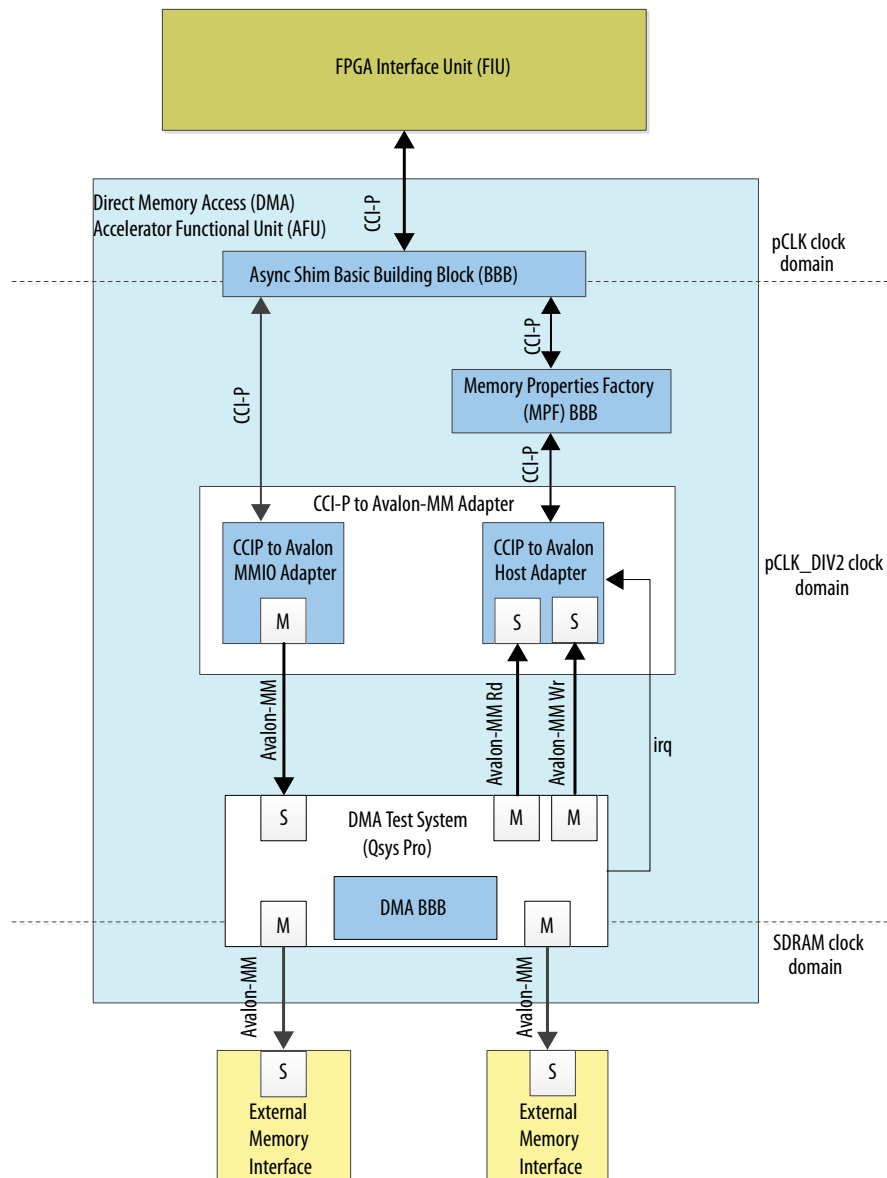
You can use the DMA AFU to copy data between the following source and destination locations:

- The host to device local memory
- Device local memory to the host
- Device local memory to device local memory

A Qsys Pro system, `<installation_path>/hw/samples/dma_afu/hw/rtl/qsys/dma_test_system.qsys` implements most of the DMA AFU.



Figure 1. DMA AFU Hardware Block Diagram





The DMA AFU includes the following internal modules to interface with the FPGA Interface Unit (FIU):

- Asynchronous Shim BBB: This module transfers the CCI-P transactions from the pCLK clock domain to the pCLKDiv2 clock domain.
- Memory Properties Factory (MPF): This module ensures that read responses from the DMA return in the order that they were issued. The Avalon-MM protocol requires read responses to return in the correct order.
- CCI-P to Avalon-MM Adapter: This module translates between CCI-P and Avalon-MM transactions, as follows:
 - The CCI-P to Avalon-MM path (MMIO path): This path translates CCI-P transactions to Avalon-MM reads and writes.

Note: MMIO accesses do not support backpressure. As a result, the CCI-P to Avalon-MM Adapter does not support the waitrequest signal. Intel recommends that you add an Avalon-MM Clock Crossing Bridge, available in the IP Catalog, between the CCI-P to Avalon MMIO Adapter master port and the DMA Test System Avalon-MM slave port. Intel recommends that you set the clock crossing command depth to 64 entries deep and disable burst support.
 - The Avalon-MM to CCI-P: These paths create separate read-only and write-only paths for the DMA to access host memory.

The Avalon-MM write slave of the CCI-P to Avalon Adapter includes an extra, high-order bit to implement write fences. When the high-order bit is set to 1'b1, the CCI-P adapter first issues a write fence. Then, the CCI-P bridge writes data to the host physical address space with the high-order bit is set to 1'b0. This operation allows the DMA to synchronize writes to host memory. The DMA BBB is not capable of receiving write responses so that the write fence is used to synchronize the write data with the host.

- DMA Test System: This module serves as a wrapper around the DMA BBB to expose the DMA masters and interrupt interfaces to the rest of the logic in the AFU. It provides the interface between the DMA BBB and the CCI-P to Avalon Adapter. It also provides the interface between the DMA BBB and the local FPGA SDRAM banks.

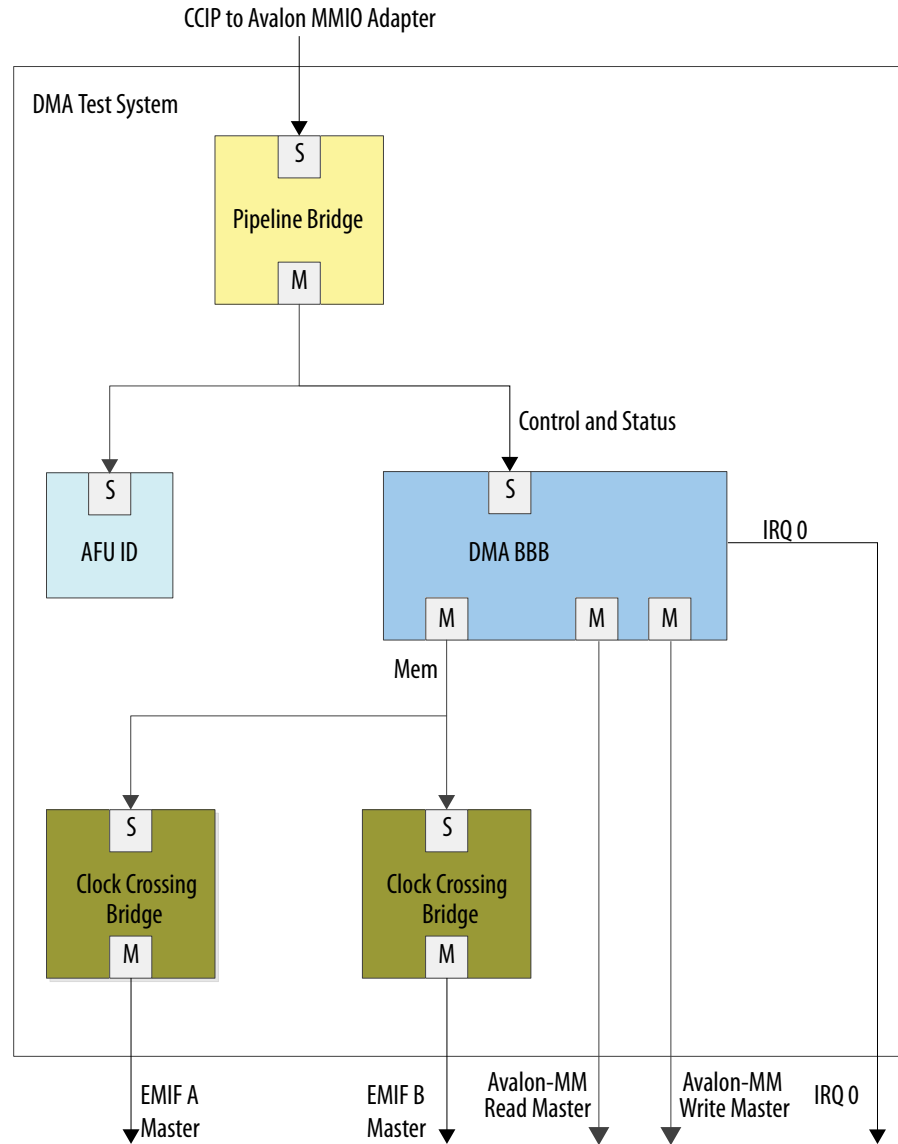


2.3.1. DMA Test System

The DMA test system tests the DMA AFU.

Figure 2. DMA Test System Block Diagram

This block diagram shows the internals of the DMA test system. The DMA test system is shown as a monolithic block in Figure 1 on page 7.





The DMA test system includes the following internal modules:

- **AFU ID:** This component stores the 64-bit Device Feature Header (DFH) and also includes the universally unique identifier (UUID). The `AFU_ID_L` register stores the lower 32 bits of the AFU ID. The `AFU_ID_H` register stores the upper 32 bits of the AFU ID. A software driver scans the DMA Test System, finds the AFU ID, and identifies the DMA BBB.
- **DMA Basic Building Block (BBB):** This component moves data between the host and local device memory spaces. DMA BBB interrupt connects to the `IRQ_0` signal. The `IRQ_0` signal is an input to the CCI-P to Avalon Adapter. The CCI-P to Avalon Adapter forwards the interrupt to the host.
- **Pipeline Bridge:** The Pipeline Bridge inserts pipeline stages between memory mapped IP cores. By default, Qsys Pro optimizes for low latency. Consequently, the Pipeline Bridge improve the system maximum operating frequency (F_{MAX}) at the expense of additional latency.
- **Clock Crossing Bridge:** The Clock Crossing Bridge isolates Avalon-MM masters and slaves that are in different clock domains. Because the Clock Crossing Bridge includes clock-crossing logic, it adds FIFOs that have a greater latency than the standard Pipeline Bridge. The Clock Crossing Bridge ensures that the memory transactions from the DMA BBB safely cross to the local SDRAM clock domain.

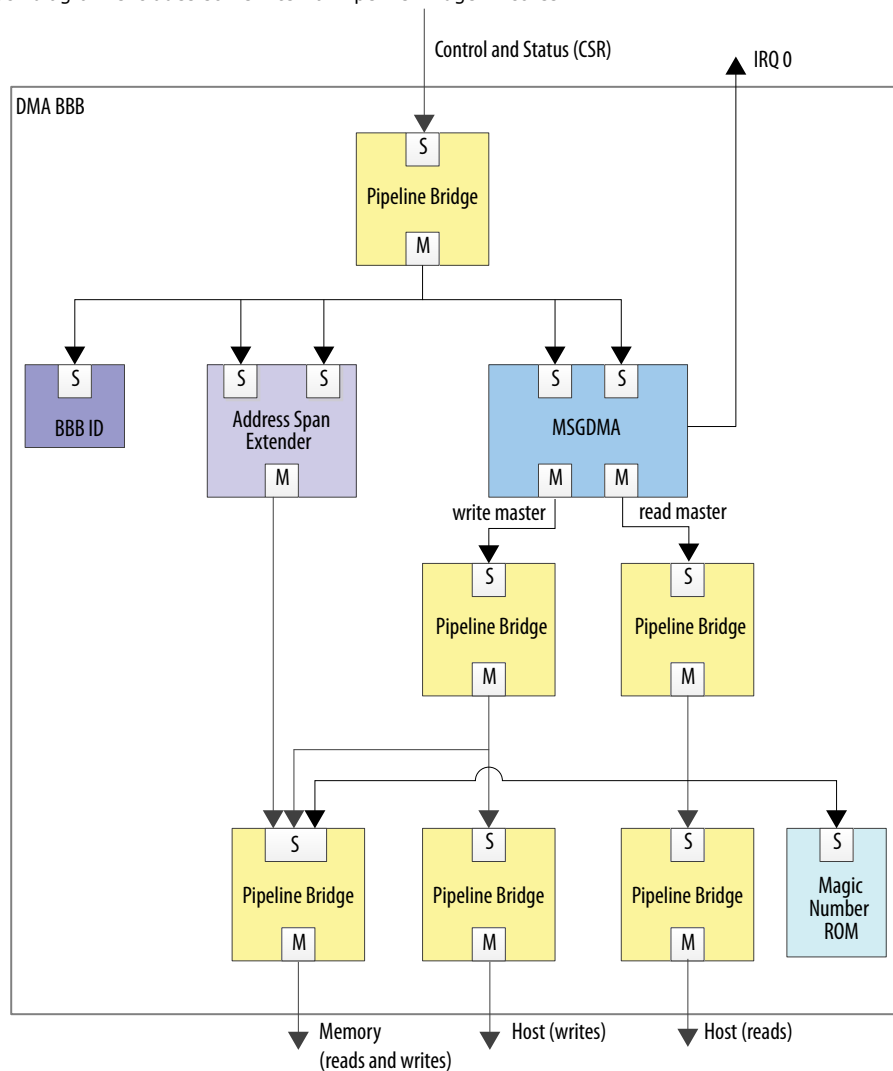


2.3.2. DMA BBB

The DMA BBB subsystem transfers data from source to destination addresses using memory-mapped transactions. The DMA AFU accesses control and status registers in the DMA BBB subsystem. The DMA BBB comprises five IP cores available in the Platform Designer IP Catalog as shown in the following figure.

Figure 3. DMA BBB Platform Designer Block Diagram

This block diagram excludes some internal Pipeline Bridge IP cores.





The components in the DMA BBB Platform Designer implement the following functions:

- **Modular Scatter-Gather DMA (MSGDMA):** This IP core performs memory mapped transfers between source and destination addresses. The MSGDMA transfers 64 bytes per clock cycle. The data must be aligned to 64-byte boundaries. The transfer length must be a multiple of 64 bytes. The MSGDMA supports 50-bit addressing and can transfer up to 16,777,152 bytes per descriptor. In this implementation, the driver limits the transfer size to 1,047,552 bytes per descriptor.
- **Address Span Extender:** This IP core implements memory transfers that are not aligned on a 64-byte boundary. The host uses it to perform MMIO accesses to FPGA device memory that are not aligned on a 64-byte boundary. The Address Span Extender accesses a 4 kilobyte (4 KB) window into the local device memory. The control port sets the base address of the (4 KB) window. The base address must be aligned to a 4 KB boundary so that the window is aligned to the window size. For example, to access FPGA memory address 0xF340, set the window address to 0xF000 and then access offset 0x0340 within the address span extender data window.
- **BBB ID:** This component stores the 64-bit Device Feature Header (DFH) and the UUID. The BBB_ID_L register stores the lower 32 bits of the BBB ID. The BBB_ID_H register stores the upper 32 bits of the BBB ID. A software driver scans the BBB ID to identify the functionality of this DMA subsystem.
- **Magic Number ROM:** This IP core contains a single, read-only 64-byte value. The DMA uses this value to create a write fence in host memory. This ROM is only visible to the MSGDMA. The host cannot access it.
- **Pipeline Bridge:** The Pipeline Bridge inserts pipeline stages to improve the system F_{MAX} at the expense of latency.

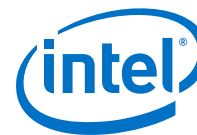
2.4. Building the DMA AFU

To build the DMA AFU, enter the following commands at the terminal window. To be successful, the `PATH` environment variable must include the Intel Quartus® Prime Pro Edition executable. The `DCP_LOC` environment variable must be set.

1. `$ export PATH=$PATH:$DCP_LOC/bin`
2. `$ cd $DCP_LOC/hw/samples/dma_afu`
3. `$ run.sh`

Upon completion, the AF, `dma_afu.gbs`, is available in the following directory: `$DCP_LOC/hw/samples/dma_afu`. Compilation can take up to 45 minutes on a modern host.

The `clean.sh` script removes the files generated during hardware compilation. To clean a previously built DMA AFU, repeat the Steps 1 and 2 and replace Step 3 by running the `clean.sh` script.



3. Register Map and Address Spaces

The DMA AFU supports two memory views: The DMA view and the host view.

The DMA view supports a 50-bit address space. The lower half of the DMA view maps to the FPGA device memory and the magic number ROM inside the DMA BBB. The upper half of the DMA view maps to the host memory which is split into a direct access and a write fence region. The direct access and memory write fence regions overlaps into the same 48-bit host physical address space.

The host view includes all the registers accessible through MMIO accesses such as the DFH tables, and the control/status registers of the various IP cores used inside the DMA AFU. The host view includes an indirect mapping mechanism to the device memory so that the host can access the FPGA device memory using a 4KB windowing mechanism built into the DMA BBB.

The MMIO registers in the DMA BBB and AFU support 32- and 64- bit access. The DMA AFU does not support 512-bit MMIO accesses. Accesses to the MSGDMA registers inside the DMA BBB must be 32 bits.

3.1. DMA AFU Register Map

The DMA register map provides the absolute addresses of all the locations within the unit. These registers are in the host view because it's only the host that can access them.

Table 4. DMA AFU Memory Map

Byte Address	Name	Span in Bytes	Description
0x0_0000	AFU DFH	8	Refer to Table 5 on page 13 for the bit fields.
0x0_0008	AFU ID_L	8	Set to 0x9081F88B8F655CAA for the DMA AFU.
0x0_0010	AFU ID_H	8	Set to 0x331DB30C988541EA for the DMA AFU.
0x0_2000	MPF DFH	240	Specifies IDs, feature list, and control and status registers. The MPF decodes this information. This information is not available inside the DMA Platform Designer system.
0x2_0000	DMA BBB	8192	The DMA BBB memory map. Refer to Table 6 on page 14 for the register offsets.

Table 5. DMA AFU DFH Encoding

Bit Field	Description
[11:0]	Feature ID. Set to 0.
[15:12]	AFU major revision number. Set to 0.
[39:16]	Next DFH byte offset/DFH region size. Set to 8192.
<i>continued...</i>	

Intel Corporation. All rights reserved. Intel, the Intel logo, Altera, Arria, Cyclone, Enpirion, MAX, Nios, Quartus and Stratix words and logos are trademarks of Intel Corporation or its subsidiaries in the U.S. and/or other countries. Intel warrants performance of its FPGA and semiconductor products to current specifications in accordance with Intel's standard warranty, but reserves the right to make changes to any products and services at any time without notice. Intel assumes no responsibility or liability arising out of the application or use of any information, product, or service described herein except as expressly agreed to in writing by Intel. Intel customers are advised to obtain the latest version of device specifications before relying on any published information and before placing orders for products or services.

*Other names and brands may be claimed as the property of others.



Bit Field	Description
[40]	End of DFH list. When set, the DFH is at the end of the list. The default value is 0.
[47:41]	Reserved.
[51:48]	AFU minor revision number. Set to 0.
[59:52]	Reserved.
[63:60]	Feature type. Set to 1 (AFU).

Table 6. DMA BBB Memory Map

Add the byte addresses below to the BBB DMA base address, 0x2_0000.

Byte Address	Name	Span in Bytes	Description
0x0000	BBB DFH	8	Refer to Table 6 on page 14 for the bit fields.
0x0008	BBB ID_L	8	Set to 0xA9149A35BACE01EA for the DMA BBB.
0x0010	BBB ID_H	8	Set to 0xEF82DEF7F6EC40FC for the DMA BBB.
0x0040	MSGDMA_CSR	32	Controls the DMA.
0x0060	MSGDMA Descriptor	32	Receives DMA descriptors.
0x0200	Address Span Extender Control	8	Moves the address window that the data port accesses.
0x1000	Address Span Extender Data	4096	Maps a 4 KB window to a local device memory.

Table 7. DMA BBB DFH Encoding

Bit Field	Description
[11:0]	Feature ID. Set to 0
[15:12]	AFU major revision number. Set to 0.
[39:16]	Next DFH byte offset / DFH region size. Set to 8192.
[40]	End of DFH list. When set, the DFH is at the end of the list. The default value is 0.
[47:41]	Reserved.
[51:48]	AFU minor revision number. Set to 0
[59:52]	Reserved.
[63:60]	Feature type. Set to 2 (BBB).

3.1.1. DMA AFU Address Space

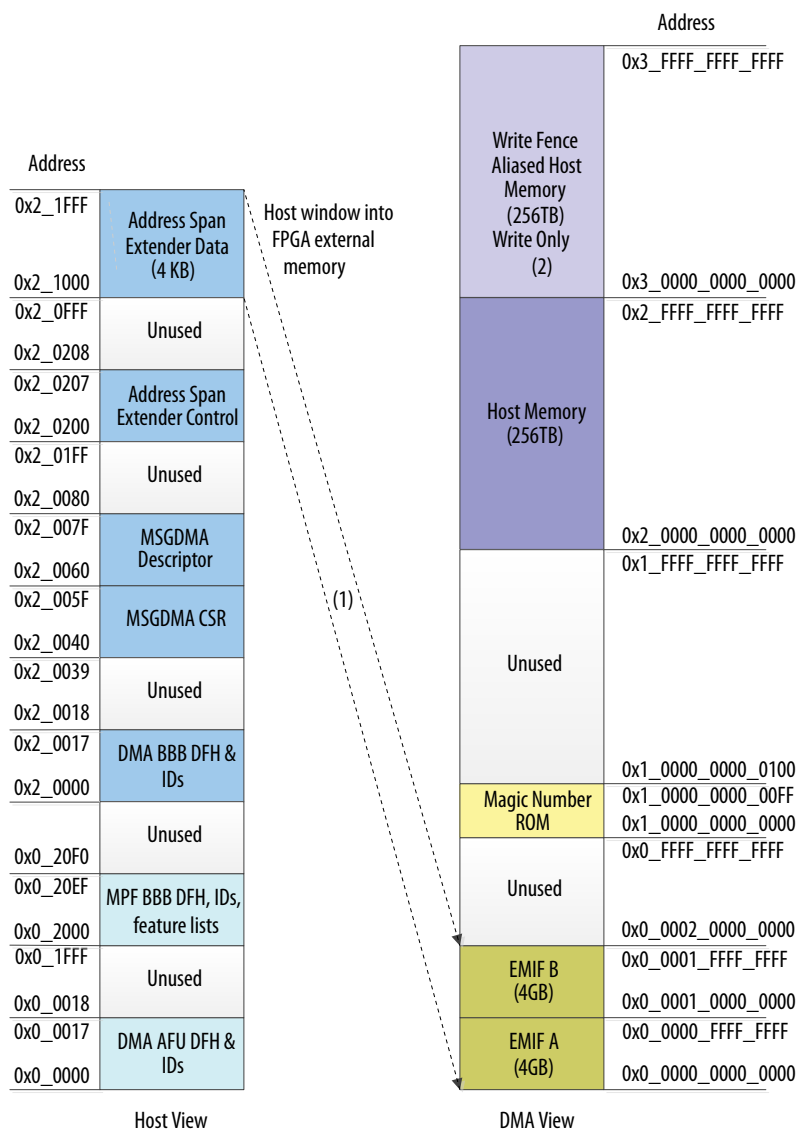
The host can access registers listed in the [Table 4](#) on page 13 and the [Table 6](#) on page 14. Host accesses to FPGA local memory must use the Address Span Extender IP core included in the DMA BBB subsystem.

The MSGDMA in the DMA BBB subsystem has access to the full 50-bit address space. The lower half of this address space includes the local memories and the Magic Number ROM. The upper half of this address space includes host memory.



The following figure shows the host and MSGDMA views of memory.

Figure 4. The DMA AFU and Host Views of Memory



(1) The Address Span Extender can only access the EMIF A and EMIF B address spaces.
 (2) The write fence aliased host memory, addresses 0x3_0000_0000_0000-0x3_FFFF_FFFF_FFFF, aliases to the host memory spanning 0x2_0000_0000_0000-0x2_FFFF_FFFF_FFFF. The write fence aliased host memory span is write only. Writes to the write fence aliased host memory cause a write fence to be issued followed by the write data accompanying it. This address space should only be written to infrequently to send write fences to synchronize with the host. Reads to this address space are undefined.



4. Software Programming Model

The DMA AFU includes a software driver that you can use in your own host application. The `fpga_dma.c` and `fgpa_dma.h` files located in the `<installation_path>/hw/samples/dma_afu/sw` directory implement the software driver. This driver supports the following functions:

API	Description
<code>fpgaDMAOpen()</code>	Opens a handle to the DMA BBB.
<code>fpgaDMATransferSync()</code>	Transfers data from a source location to a destination location. The source and destination can be located in host or device memory.
<code>fpgaDMATransferClose()</code>	Closes DMA BBB handle previously allocated.

4.1. Software APIs

4.1.1. fpgaDmaOpen()

`fpgaDmaOpen()` scans the device feature chain to locate the DMA BBB and then creates a handle for the DMA BBB.

Prototype	<code>fpga_result fpgaDmaOpen(fpga_handle fpga, fpga_dma_handle *dma)</code>	
Arguments	<code>fpga</code>	Input containing fpga object handle from <code>fpgaOpen()</code> .
	<code>dma</code>	Output containing handle to the DMA BBB.
Returns	FPGA_OK on success; otherwise an error return code.	

4.1.2. fpgaDmaTransferSync()

Prototype	<code>fpga_result fpgaDmaTransferSync(fpga_dma_handle dma, uint64_t dst, uint64_t src, size_t count, fpga_dma_transfer_t type)</code>	
Arguments	<code>dma</code>	<code>dmaInput</code> specifying DMA handle obtained from <code>fpgaDmaOpen()</code> .
	<code>dst</code>	Input specifying the destination byte address of the transfer. To maximize performance, make <code>dst</code> a multiple of 64 bytes.
	<code>src</code>	Input specifying the source byte address of the transfer. To maximize performance, make <code>src</code> a multiple of 64 bytes.
	<code>count</code>	Input specifying the length of the transfer in bytes. To maximize performance, make <code>count</code> a multiple of 64 bytes.
	<code>type</code>	Input specifying the type of transfer. <code>type</code> has the following valid values: <code>HOST_TO_FPGA_MM</code> , <code>FPGA_TO_HOST_MM</code> , or <code>FPGA_TO_FPGA_MM</code> .
Returns	FPGA_OK on success; otherwise error return code.	

Intel Corporation. All rights reserved. Intel, the Intel logo, Altera, Arria, Cyclone, Enpirion, MAX, Nios, Quartus and Stratix words and logos are trademarks of Intel Corporation or its subsidiaries in the U.S. and/or other countries. Intel warrants performance of its FPGA and semiconductor products to current specifications in accordance with Intel's standard warranty, but reserves the right to make changes to any products and services at any time without notice. Intel assumes no responsibility or liability arising out of the application or use of any information, product, or service described herein except as expressly agreed to in writing by Intel. Intel customers are advised to obtain the latest version of device specifications before relying on any published information and before placing orders for products or services.

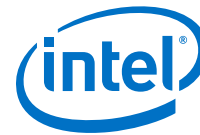
*Other names and brands may be claimed as the property of others.



4.1.3. fpgaDmaClose()

`fpgaDmaClose()` closes the previously allocated DMA BBB handle.

Prototype	<code>fpga_result fpgaDmaClose(fpga_Dma_handle dma)</code>	
Parameters	<code>dma</code>	Input containing DMA handle obtained from <code>fpgaDmaOpen()</code> .
Returns	FPGA_OK on success; otherwise error return code.	



5. Running DMA AFU Example

Before running this example, you should be familiar with the examples in the *Intel Acceleration Stack Quick Start Guide for Intel Programmable Acceleration Card with Intel Arria 10 GX FPGA*. The `DCP_LOC` environment variable must be set.

Note: Intel recommends using the GCC (C Compiler) to compile the example software. Compiling the DMA sample application and user space driver with g++ (C++ compiler) results in compilation errors.

Complete the following steps to download the DMA AF bitstream and build and run the example software:

1. If you have not already done so, configure the system hugepage to allocate 20, 2 MB hugepages that the DMA user space driver requires⁽¹⁾. This command requires root privileges:


```
# sudo sh -c "echo 20 > /sys/kernel/mm/hugepages/hugepages-\2048kB/nr_hugepages"
```
2. # sudo fpgaconf \$DCP_LOC/hw/samples/dma_afu/bin/dma_afu.gbs
3. \$ cd \$DCP_LOC/hw/samples/dma_afu/sw
4. \$ make
5. sudo LD_LIBRARY_PATH=`pwd`:`LD_LIBRARY_PATH` ./fpga_dma_test 0

The DMA software takes approximately a minute to populate test buffers and verify the results. The software prints the following messages during a successful run:

```
Running test in HW mode
Buffer Verification Success!
Buffer Verification Success!
Running DDR sweep test
Allocated test buffer
Fill test buffer
DDR Sweep Host to FPGA
Measured bandwidth = 6710.886400 Megabytes/sec
Clear buffer
DDR Sweep FPGA to Host
Measured bandwidth = 6927.366606 Megabytes/sec
Verifying buffer..
Buffer Verification Success!
```

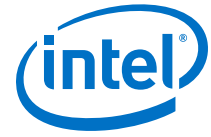
⁽¹⁾ If your host has multiple cards, you will need 20, 2 MB hugepages per card. For an example, a system with four cards requires total 80, 2 MB hugepages.



Related Information

[Intel Acceleration Stack Quick Start Guide for Intel Programmable Acceleration Card with Intel Arria 10 GX FPGA](#)

To install the OPAE software and run the sample programs on the Programmable Accelerator Card.



6. Document Revision History for the DMA Accelerator Functional Unit (AFU) User Guide

Document Version	Intel Acceleration Stack Version	Changes
2018.04.11	1.0 Production (supported with Intel Quartus Prime Pro Edition 17.0.0)	<ul style="list-style-type: none"> Updated Figure: <i>DMA AFU Hardware Block Diagram</i> to include the DMA BBB. Updated information in <ul style="list-style-type: none"> The DMA AFU Hardware Components Register Map and Address Spaces Running DMA AFU Example Corrected the title of the reference document from the <i>Altera Acceleration Stack for Intel Xeon CPU with FPGAs Getting Started Guide</i> to <i>Intel Acceleration Stack Quick Start Guide for Intel Programmable Acceleration Card with Intel Arria 10 GX FPGA</i> in <i>The DMA AFU Software Package</i> section. Editorial modifications.
2017.12.22	1.0 Beta (supported with Intel Quartus Prime Pro Edition 17.0.0)	Initial release.

Intel Corporation. All rights reserved. Intel, the Intel logo, Altera, Arria, Cyclone, Enpirion, MAX, Nios, Quartus and Stratix words and logos are trademarks of Intel Corporation or its subsidiaries in the U.S. and/or other countries. Intel warrants performance of its FPGA and semiconductor products to current specifications in accordance with Intel's standard warranty, but reserves the right to make changes to any products and services at any time without notice. Intel assumes no responsibility or liability arising out of the application or use of any information, product, or service described herein except as expressly agreed to in writing by Intel. Intel customers are advised to obtain the latest version of device specifications before relying on any published information and before placing orders for products or services.

*Other names and brands may be claimed as the property of others.

ISO
9001:2008
Registered