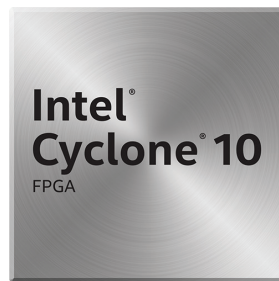


Powering Intel® Cyclone® 10 FPGAs

with Intel® Enpirion® Power Solutions

**HIGH BANDWIDTH
FLEXIBLE
LOW COST
ACCELERATED DESIGN**



**POWER DENSE
RELIABLE
EASY TO USE
FPGA-OPTIMIZED**

Powering Intel® Cyclone® 10 FPGAs Is Easier with Intel® Enpirion® Power Solutions

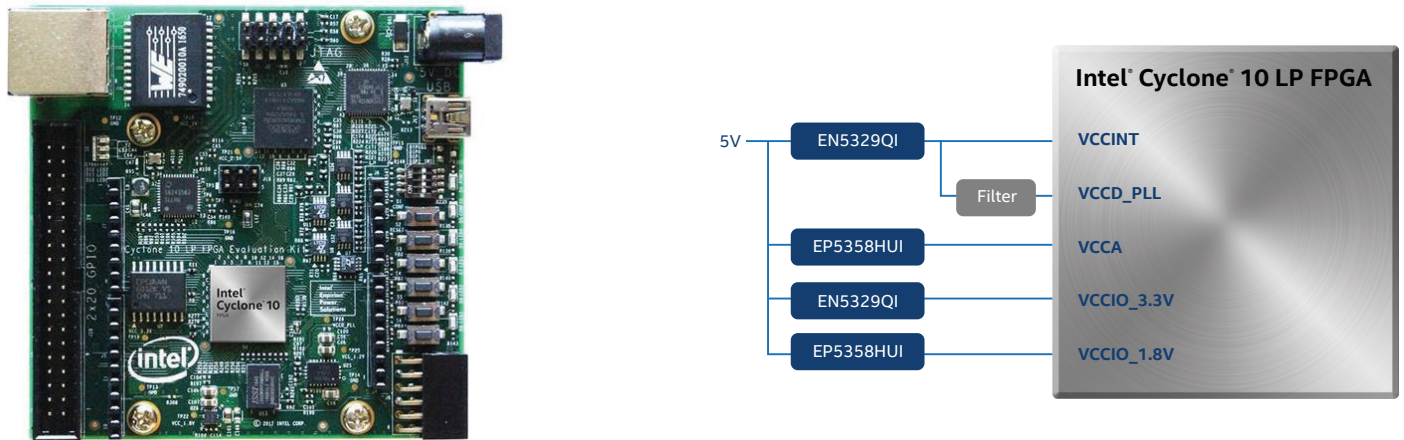
Save valuable design time and accelerate your schedule by combining Intel® Cyclone® 10 FPGAs with Intel Enpirion® Power Solutions. Intel Enpirion PowerSoCs integrate nearly all the components needed for Intel Cyclone 10 FPGA power rails, providing a family of fully validated, easy-to-use solutions with up to 96% efficiency[†] – freeing designers to focus on their unique intellectual property (IP) and FPGA design and spend less time on power supply design.

Recommended Intel Enpirion Power Solutions for Intel Cyclone 10 FPGAs

POWER RAIL CURRENT REQUIREMENT	FOOTPRINT-OPTIMIZED SOLUTION	PERFORMANCE-OPTIMIZED SOLUTION
≤0.4A	EP5348UI	EP5348UI
≤0.6A	EP5357xUI, EP5358xUI	EP5357xUI, EP5358xUI
≤0.8A	EP5388QI	EP5388QI
≤1.0A	EP53A7xQI, EP53A8xQI	EN6310QI
≤1.5A	EP53F8QI	EN5319QI
≤2.0A	EN5329QI	EN5329QI
≤3.0A	EN5339QI	EN6337QI
≤4.0A	EN6340QI	EN6340QI
≤6.0A	EN6363QI	EN6362QI
≤8.0A	EN6382QI	EN6382QI
≤12.0A	EN63A0QI	EN63A0QI
≤20.0A	EM2120xQI	EM2120xQI
≤30.0A	EM2130xQI	EM2130xQI

Intel Cyclone 10 LP FPGA Evaluation Kit Powered by Intel Enpirion Power Solutions

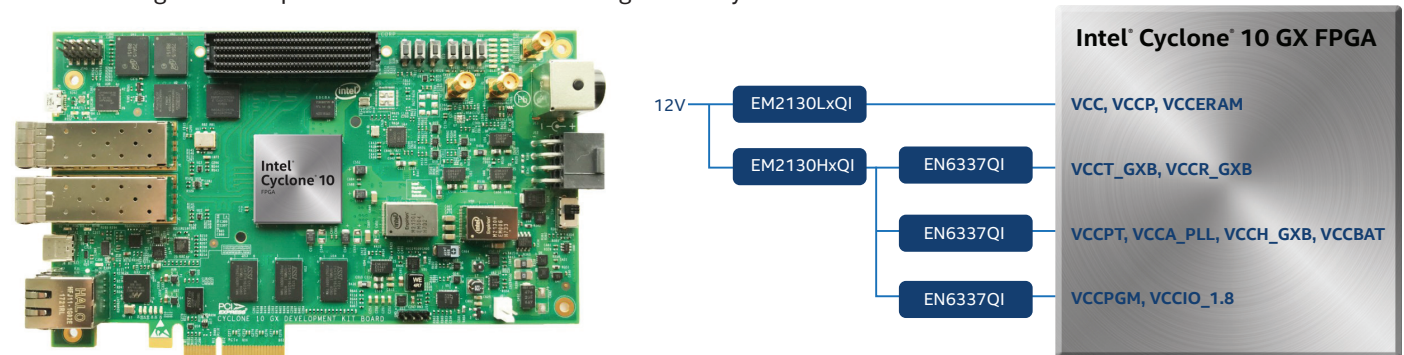
Save valuable board space and design time while maximizing system power density



Learn more at https://www.altera.com/products/boards_and_kits/dev-kits/altera/cyclone-10-lp-evaluation-kit.html

Intel Cyclone 10 GX FPGA Evaluation Kit Powered by Intel Enpirion Power Solutions

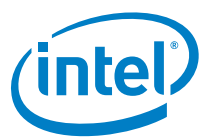
Take advantage of FPGA performance without sacrificing efficiency



Learn more at https://www.altera.com/products/boards_and_kits/dev-kits/altera/cyclone-10-gx-development-kit.html

Related Links

- Intel Enpirion Power Solutions
www.altera.com/enpirion
- Intel Cyclone 10 FPGAs
www.altera.com/cyclone10



© Intel Corporation. Intel, the Intel logo, the Intel Inside mark and logo, the Intel. Experience What's Inside mark and logo, Altera, Arria, Cyclone, Enpirion, Intel Atom, Intel Core, Intel Xeon, MAX, Nios, Quartus and Stratix are trademarks of Intel Corporation or its subsidiaries in the U.S. and/or other countries. See Trademarks on intel.com for full list of Intel trademarks. *Other marks and brands may be claimed as the property of others.

¹Tests measure performance of components on a particular test, in specific systems. Differences in hardware, software, or configuration will affect actual performance. Consult other sources of information to evaluate performance as you consider your purchase. For more complete information about performance and benchmark results, visit www.intel.com/benchmarks.