



Cyclone 10 GX Advance Information Brief

AIB-01028
2017.02.13

 **Subscribe**

 **Send Feedback**



Contents

| | |
|--|----------|
| Cyclone 10 GX Advance Information Brief..... | 3 |
| Key Advantages of Cyclone 10 GX Devices..... | 3 |
| Summary of Cyclone 10 GX Features..... | 4 |
| Cyclone 10 GX Available Options..... | 6 |
| Cyclone 10 GX Maximum Resources..... | 7 |
| Cyclone 10 GX Package Plan | 7 |
| I/O Vertical Migration for Cyclone 10 GX Devices..... | 8 |
| Adaptive Logic Module..... | 9 |
| Variable-Precision DSP Block..... | 9 |
| Embedded Memory Blocks..... | 11 |
| Types of Embedded Memory..... | 11 |
| Embedded Memory Capacity in Cyclone 10 GX Devices..... | 11 |
| Embedded Memory Configurations for Single-port Mode..... | 12 |
| Clock Networks and PLL Clock Sources..... | 12 |
| Clock Networks..... | 12 |
| Fractional Synthesis and I/O PLLs..... | 12 |
| FPGA General Purpose I/O..... | 13 |
| External Memory Interface..... | 14 |
| Memory Standards Supported by Cyclone 10 GX Devices..... | 14 |
| PCIe Gen1 and Gen2 Hard IP..... | 15 |
| Enhanced PCS Hard IP for Interlaken and 10 Gbps Ethernet..... | 15 |
| Interlaken Support..... | 15 |
| 10 Gbps Ethernet Support..... | 16 |
| Low Power Serial Transceivers..... | 16 |
| Transceiver Channels..... | 17 |
| PMA Features..... | 18 |
| PCS Features..... | 19 |
| Dynamic and Partial Reconfiguration..... | 20 |
| Dynamic Reconfiguration..... | 20 |
| Partial Reconfiguration..... | 20 |
| Enhanced Configuration and Configuration via Protocol..... | 21 |
| SEU Error Detection and Correction..... | 22 |
| Power Management..... | 22 |
| Incremental Compilation..... | 22 |
| Document Revision History for Cyclone 10 GX Advance Information Brief..... | 23 |



Cyclone 10 GX Advance Information Brief

The Cyclone® 10 GX device family consists of high-performance and power-efficient 20 nm low cost FPGAs.

Cyclone 10 GX device family delivers:

- Higher performance than the previous generation of low cost FPGAs.
- Power efficiency attained through a comprehensive set of power-saving technologies.

The Cyclone 10 GX devices are ideal for high bandwidth, power-sensitive, low-cost applications in diverse markets.

Table 1. Sample Markets and Ideal Applications for Cyclone 10 GX Devices

| Market | Applications |
|------------|---|
| Industrial | <ul style="list-style-type: none"> • Machine vision • Robotics • Programmable logic controller and drivers |
| Automotive | <ul style="list-style-type: none"> • Infotainment • Advanced Driver Assistance Systems (ADAS) |
| Broadcast | Professional audiovisual |

Key Advantages of Cyclone 10 GX Devices

Table 2. Key Advantages of the Cyclone 10 GX Device Family

| Advantage | Supporting Feature |
|---|--|
| Enhanced core architecture | <ul style="list-style-type: none"> • Built on TSMC's 20 nm process technology • Twice higher performance than the previous generation of low cost FPGAs |
| High-bandwidth integrated transceivers | <ul style="list-style-type: none"> • Short-reach rates up to 10.3125 Gigabits per second (Gbps) • Hard PCI Express IP blocks supporting Gen2 x4 applications |
| Improved logic integration and hard IP blocks | <ul style="list-style-type: none"> • 8-input adaptive logic module (ALM) • Up to 11.74 megabits (Mb) of embedded memory • Variable-precision digital signal processing (DSP) blocks • Fractional synthesis phase-locked loops (PLLs) • Hard memory controllers and PHY up to 1,866 Megabits per second (Mbps) |
| Advanced power savings | <ul style="list-style-type: none"> • Comprehensive set of advanced power saving features • Power-optimized MultiTrack routing and core architecture |



Summary of Cyclone 10 GX Features

Table 3. Summary of Features for Cyclone 10 GX Devices

| Feature | Description | |
|------------------------------|---|--|
| Technology | TSMC's 20-nm process technology | |
| Packaging | <ul style="list-style-type: none"> 1.0 mm ball-pitch FineLine BGA packaging 0.8 mm ball-pitch Ultra FineLine BGA packaging Multiple devices with identical package footprints for seamless migration between different FPGA densities RoHS6-compliance | |
| High-performance FPGA fabric | <ul style="list-style-type: none"> Enhanced 8-input ALM with four registers Improved multi-track routing architecture to reduce congestion and improve compilation time Hierarchical core clocking architecture Fine-grained partial reconfiguration | |
| Internal memory blocks | <ul style="list-style-type: none"> M20K—20-Kb memory blocks with hard error correction code (ECC), cascadable Memory logic array block (MLAB)—640-bit memory, cascadable | |
| Embedded Hard IP blocks | Variable-precision DSP <ul style="list-style-type: none"> Native support for signal processing precision levels from 18 x 19 to 54 x 54, cascadable Native support for 27 x 27 multiplier mode 64-bit accumulator and cascade for systolic finite impulse responses (FIRs) Internal coefficient memory banks Padder/subtractor for improved efficiency Additional pipeline register to increase performance and reduce power Supports floating point arithmetic: <ul style="list-style-type: none"> Perform multiplication, addition, subtraction, multiply-add, multiply-subtract, and complex multiplication. Supports multiplication with accumulation capability, cascade summation, and cascade subtraction capability. Dynamic accumulator reset control. Support direct vector dot and complex multiplication chaining multiply floating point DSP blocks. | |
| | Memory controller | DDR3, DDR3L, and LPDDR3 |
| | PCI Express® | PCI Express (PCIe®) Gen2 (x1, x2, or x4) and Gen1 (x1, x2, or x4) hard IP with complete protocol stack, endpoint, and root port. |
| | Transceiver I/O | <ul style="list-style-type: none"> 10GBASE Forward Error Correction (FEC) PCS hard IPs that support: <ul style="list-style-type: none"> 10-Gbps Ethernet (10GbE) PCIe PIPE interface Interlaken Gbps Ethernet (GbE) Common Public Radio Interface (CPRI) with deterministic latency support Gigabit-capable passive optical network (GPON) with fast lock-time support 10.3 Gbps JESD204B 8B/10B, 64B/66B, 64B/67B encoders and decoders Custom mode support for proprietary protocols |

continued...

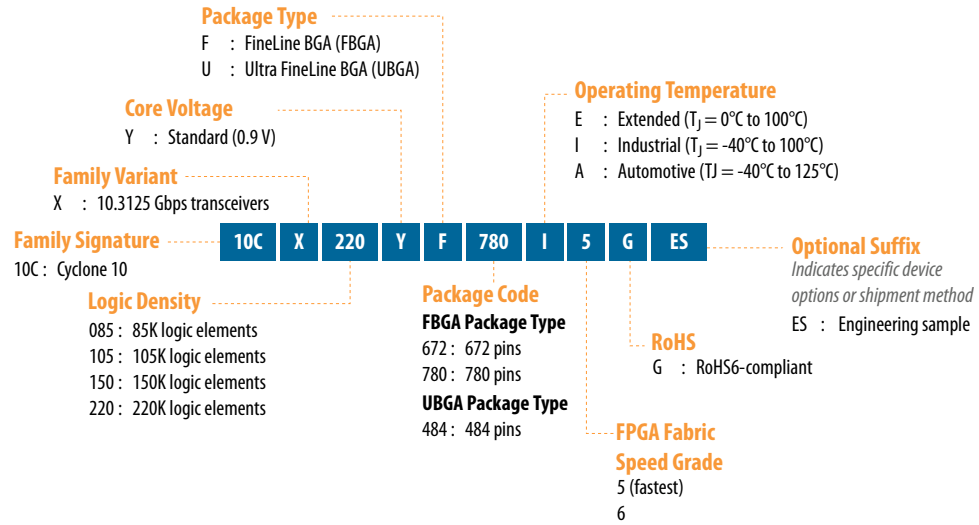


| Feature | Description |
|-----------------------------------|---|
| Core clock networks | <ul style="list-style-type: none"> • Up to 300 MHz fabric clocking, depending on the application: <ul style="list-style-type: none"> – 467 MHz external memory interface clocking with 1,866 Mbps DDR3 interface – 300 MHz LVDS interface clocking with 1.434 Gbps LVDS interface • Global, regional, and peripheral clock networks • Clock networks that are not used can be gated to reduce dynamic power |
| Phase-locked loops (PLLs) | <ul style="list-style-type: none"> • High-resolution fractional synthesis PLLs: <ul style="list-style-type: none"> – Precision clock synthesis, clock delay compensation, and zero delay buffering (ZDB) – Support integer mode and fractional mode – Fractional mode support with third-order delta-sigma modulation • Integer PLLs: <ul style="list-style-type: none"> – Adjacent to general purpose I/Os – Support external memory and LVDS interfaces |
| FPGA General-purpose I/Os (GPIOs) | <ul style="list-style-type: none"> • 1.434 Gbps LVDS—every pair can be configured as receiver or transmitter • On-chip termination (OCT) • 1.2 V to 3.0 V single-ended LVTTTL/LVCMOS interfacing |
| External Memory Interface | <ul style="list-style-type: none"> • Hard memory controller— DDR3, DDR3L, and LPDDR3 support • DDR3 speeds up to 933 MHz/1,866 Mbps |
| Low-power serial transceivers | <ul style="list-style-type: none"> • Continuous operating range up to 10.3125 Gbps. • Extended range down to 125 Mbps with oversampling • ATX transmit PLLs with user-configurable fractional synthesis capability • Electronic Dispersion Compensation (EDC) support for XFP, SFP+, QSFP, and CFP optical module • Adaptive linear and decision feedback equalization • Transmitter pre-emphasis and de-emphasis • Dynamic partial reconfiguration of individual transceiver channels • On-chip instrumentation (EyeQ non-intrusive data eye monitoring) |
| Configuration | <ul style="list-style-type: none"> • Tamper protection—comprehensive design protection to protect your valuable IP investments • Enhanced 256-bit advanced encryption standard (AES) design security with authentication • Configuration via protocol (CvP) using PCIe Gen1 or Gen2 • Dynamic reconfiguration of the transceivers and PLLs • Fine-grained partial reconfiguration of the core fabric • Active Serial x4 Interface |
| Power management | <ul style="list-style-type: none"> • Programmable Power Technology • Quartus® Prime integrated power analysis tool |
| Software and tools | <ul style="list-style-type: none"> • Quartus Prime design suite • Transceiver toolkit • Qsys system integration tool • DSP Builder advanced blockset • OpenCL™ support |



Cyclone 10 GX Available Options

Figure 1. Sample Ordering Code and Available Options for Cyclone 10 GX Devices—Preliminary





Cyclone 10 GX Maximum Resources

Table 4. Maximum Resource Counts for Cyclone 10 GX Devices—Preliminary

| Resource | | Product Line | | | |
|--------------------------------|----------------------|--------------|---------|---------|---------|
| | | 10CX085 | 10CX105 | 10CX150 | 10CX220 |
| Logic Elements (LE) (K) | | 85 | 104 | 150 | 220 |
| ALM | | 31,000 | 38,000 | 54,770 | 80,330 |
| Register | | 124,000 | 152,000 | 219,080 | 321,320 |
| Memory (Kb) | M20K | 5,820 | 7,640 | 9,500 | 11,740 |
| | MLAB | 653 | 799 | 1,152 | 1,690 |
| Variable-precision DSP Block | | 84 | 125 | 156 | 192 |
| 18 x 19 Multiplier | | 168 | 250 | 312 | 384 |
| Hard Floating-point Arithmetic | | Yes | Yes | Yes | Yes |
| PLL | Fractional Synthesis | 2 | 4 | 4 | 4 |
| | I/O | 4 | 6 | 6 | 6 |
| 10.3125 Gbps Transceiver | | 4 | 12 | 12 | 12 |
| GPIO ¹ | | 192 | 284 | 284 | 284 |
| LVDS Pair ² | | 72 | 118 | 118 | 118 |
| PCIe Hard IP Block | | 1 | 1 | 1 | 1 |
| Hard Memory Interfaces | | 1 | 2 | 2 | 2 |

Cyclone 10 GX Package Plan

Table 5. Package Plan for Cyclone 10 GX Devices—Preliminary

The GPIO numbers include the I/O pins in the LVDS and 3 V I/O banks. In each device package, there is one 3 V I/O bank (48 pins).

| Product Line | Type | U484 484-pin UBGA | | | F672 672-pin FBGA | | | F780 780-pin FBGA | | |
|--------------|------------|----------------------|------|------|----------------------|------|------|----------------------|------|------|
| | Size | 19 mm × 19 mm | | | 27 mm × 27 mm | | | 29 mm × 29 mm | | |
| | Ball Pitch | 0.8 mm | | | 1.0 mm | | | 1.0 mm | | |
| | I/O Type | GPIO | LVDS | XCVR | GPIO | LVDS | XCVR | GPIO | LVDS | XCVR |
| 10CX085 | | 188 | 70 | 4 | 192 | 72 | 4 | — | — | — |
| 10CX105 | | 188 | 72 | 4 | 236 | 94 | 10 | 284 | 118 | 12 |
| 10CX150 | | 188 | 72 | 6 | 236 | 94 | 10 | 284 | 118 | 12 |
| 10CX220 | | 188 | 72 | 6 | 236 | 94 | 10 | 284 | 118 | 12 |

1 The number of GPIOs does not include transceiver I/Os. In the Quartus Prime software, the number of user I/Os includes transceiver I/Os.

2 Each LVDS I/O pair can be used as differential input or output.



I/O Vertical Migration for Cyclone 10 GX Devices

Figure 2. Migration Capability Across Cyclone 10 GX Product Lines

- The arrows indicate the migration paths. The devices included in each vertical migration path are shaded. Devices with fewer resources in the same path have lighter shades.
- To achieve the full I/O migration across product lines in the same migration path, restrict I/Os and transceivers usage to match the product line with the lowest I/O and transceiver counts.
- An LVDS I/O bank in the source device may be mapped to a 3 V I/O bank in the target device. To use memory interface clock frequencies higher than 450 MHz, assign external memory interface pins only to banks that are LVDS I/O in both devices.
- There may be nominal 0.15 mm package height difference between some devices in the same package type.
- Some migration paths are not shown in the Quartus Prime software Pin Migration View.

| Device | Package | | |
|---------|---------|------|------|
| | U484 | F672 | F780 |
| 10CX085 | ↑ | ↑ | |
| 10CX105 | | | ↑ |
| 10CX150 | | | |
| 10CX220 | ↓ | ↓ | ↓ |

Note: To verify the pin migration compatibility, use the Pin Migration View window in the Quartus Prime software Pin Planner.

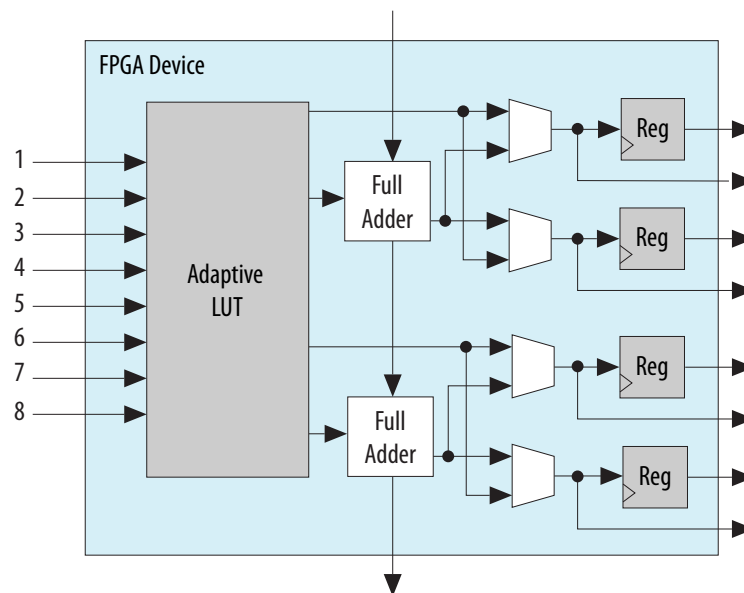
Adaptive Logic Module

Cyclone 10 GX devices use a 20 nm ALM as the basic building block of the logic fabric.

The ALM architecture is the same as the previous generation FPGAs, allowing for efficient implementation of logic functions and easy conversion of IP between the device generations.

The ALM, as shown in following figure, uses an 8-input fracturable look-up table (LUT) with four dedicated registers to help improve timing closure in register-rich designs and achieve an even higher design packing capability than the traditional two-register per LUT architecture.

Figure 3. ALM for Cyclone 10 GX Devices



The Quartus Prime software optimizes your design according to the ALM logic structure and automatically maps legacy designs into the Cyclone 10 GX ALM architecture.

Variable-Precision DSP Block

The Cyclone 10 GX variable precision DSP blocks support fixed-point arithmetic and floating-point arithmetic.

Features for fixed-point arithmetic:

- High-performance, power-optimized, and fully registered multiplication operations
- 18-bit and 27-bit word lengths
- Two 18 x 19 multipliers or one 27 x 27 multiplier per DSP block
- Built-in addition, subtraction, and 64-bit double accumulation register to combine multiplication results
- Cascading 19-bit or 27-bit when pre-adder is disabled and cascading 18-bit when pre-adder is used to form the tap-delay line for filtering applications



- Cascading 64-bit output bus to propagate output results from one block to the next block without external logic support
- Hard pre-adder supported in 19-bit and 27-bit modes for symmetric filters
- Internal coefficient register bank in both 18-bit and 27-bit modes for filter implementation
- 18-bit and 27-bit systolic finite impulse response (FIR) filters with distributed output adder
- Biased rounding support

Features for floating-point arithmetic:

- A completely hardened architecture that supports multiplication, addition, subtraction, multiply-add, and multiply-subtract
- Multiplication with accumulation capability and a dynamic accumulator reset control
- Multiplication with cascade summation capability
- Multiplication with cascade subtraction capability
- Complex multiplication
- Direct vector dot product
- Systolic FIR filter

Table 6. Variable-Precision DSP Block Configurations for Cyclone 10 GX Devices

| Usage Example | Multiplier Size (Bit) | DSP Block Resources |
|---|---------------------------------|---------------------|
| Medium precision fixed point | Two 18 x 19 | 1 |
| High precision fixed or Single precision floating point | One 27 x 27 | 1 |
| Fixed point FFTs | One 19 x 36 with external adder | 1 |
| Very high precision fixed point | One 36 x 36 with external adder | 2 |
| Double precision floating point | One 54 x 54 with external adder | 4 |

Table 7. Resources for Fixed-Point Arithmetic in Cyclone 10 GX Devices

| Device | Variable-precision DSP Block | Independent Input and Output Multiplications Operator | | 18x19 Multiplier Adder Sum Mode | 18x18 Multiplier Adder Summed with 36-bit Input |
|---------|------------------------------|---|------------------|---------------------------------|---|
| | | 18x19 Multiplier | 27x27 Multiplier | | |
| 10CX085 | 84 | 168 | 84 | 84 | 84 |
| 10CX105 | 125 | 250 | 125 | 125 | 125 |
| 10CX150 | 156 | 312 | 156 | 156 | 156 |
| 10CX220 | 192 | 384 | 192 | 192 | 192 |

**Table 8. Resources for Floating-Point Arithmetic in Cyclone 10 GX Devices**

| Device | Variable-precision DSP Block | Single Precision Floating-Point Multiplication Mode | Single-Precision Floating-Point Adder Mode | Single-Precision Floating-Point Multiply Accumulate Mode | Peak Giga Floating-Point Operations per Second (GFLOPs) |
|---------|------------------------------|---|--|--|---|
| 10CX085 | 84 | 84 | 84 | 84 | 76 |
| 10CX105 | 125 | 125 | 125 | 125 | 113 |
| 10CX150 | 156 | 156 | 156 | 156 | 140 |
| 10CX220 | 192 | 192 | 192 | 192 | 173 |

Embedded Memory Blocks

The embedded memory blocks in the devices are flexible and designed to provide an optimal amount of small- and large-sized memory arrays to fit your design requirements.

Types of Embedded Memory

The Cyclone 10 GX devices contain two types of memory blocks:

- 20 Kb M20K blocks—blocks of dedicated memory resources. The M20K blocks are ideal for larger memory arrays while still providing a large number of independent ports.
- 640 bit memory logic array blocks (MLABs)—enhanced memory blocks that are configured from dual-purpose logic array blocks (LABs). The MLABs are ideal for wide and shallow memory arrays. The MLABs are optimized for implementation of shift registers for digital signal processing (DSP) applications, wide and shallow FIFO buffers, and filter delay lines. Each MLAB is made up of ten adaptive logic modules (ALMs). In the Cyclone 10 GX devices, you can configure these ALMs as ten 32 x 2 blocks, giving you one 32 x 20 simple dual-port SRAM block per MLAB.

Embedded Memory Capacity in Cyclone 10 GX Devices

Table 9. Embedded Memory Capacity and Distribution in Cyclone 10 GX Devices

| Product Line | M20K | | MLAB | | Total RAM Bit (Kb) |
|--------------|-------|--------------|-------|--------------|--------------------|
| | Block | RAM Bit (Kb) | Block | RAM Bit (Kb) | |
| 10CX085 | 291 | 5,820 | 1,044 | 653 | 6,473 |
| 10CX105 | 382 | 7,640 | 1,278 | 799 | 8,439 |
| 10CX150 | 475 | 9,500 | 1,843 | 1,152 | 10,652 |
| 10CX220 | 587 | 11,740 | 2,704 | 1,690 | 13,430 |



Embedded Memory Configurations for Single-port Mode

Table 10. Single-port Embedded Memory Configurations for Cyclone 10 GX Devices

This table lists the maximum configurations supported for single-port RAM and ROM modes.

| Memory Block | Depth (bits) | Programmable Width |
|--------------|-----------------|--------------------|
| MLAB | 32 | x16, x18, or x20 |
| | 64 ³ | x8, x9, x10 |
| M20K | 512 | x40, x32 |
| | 1K | x20, x16 |
| | 2K | x10, x8 |
| | 4K | x5, x4 |
| | 8K | x2 |
| | 16K | x1 |

Clock Networks and PLL Clock Sources

The clock network architecture is based on Intel's global, regional, and peripheral clock structure. This clock structure is supported by dedicated clock input pins, fractional clock synthesis PLLs, and integer I/O PLLs.

Clock Networks

The Cyclone 10 GX core clock networks are capable of up to 300 MHz fabric operation across the full industrial temperature range. For the external memory interface, the clock network supports the hard memory controller with speeds up to 1,866 Mbps in a quarter-rate transfer.

To reduce power consumption, the Quartus Prime software identifies all unused sections of the clock network and powers them down.

Fractional Synthesis and I/O PLLs

Cyclone 10 GX devices contain up to 4 fractional synthesis PLLs and up to 6 I/O PLLs that are available for both specific and general purpose uses in the core:

- Fractional synthesis PLLs—located in the column adjacent to the transceiver blocks
- I/O PLLs—located in each bank of the 48 I/Os

3 Supported through software emulation and consumes additional MLAB blocks.



Fractional Synthesis PLLs

You can use the fractional synthesis PLLs to:

- Reduce the number of oscillators that are required on your board
- Reduce the number of clock pins that are used in the device by synthesizing multiple clock frequencies from a single reference clock source

The fractional synthesis PLLs support the following features:

- Reference clock frequency synthesis for transceiver CMU and Advanced Transmit (ATX) PLLs
- Clock network delay compensation
- Zero-delay buffering
- Direct transmit clocking for transceivers
- Independently configurable into two modes:
 - Conventional integer mode equivalent to the general purpose PLL
 - Enhanced fractional mode with third order delta-sigma modulation
- PLL cascading

I/O PLLs

The integer mode I/O PLLs are located in each bank of 48 I/Os. You can use the I/O PLLs to simplify the design of external memory and high-speed LVDS interfaces.

In each I/O bank, the I/O PLLs are adjacent to the hard memory controllers and LVDS SERDES. Because these PLLs are tightly coupled with the I/Os that need to use them, it makes it easier to close timing.

You can use the I/O PLLs for general purpose applications in the core such as clock network delay compensation and zero-delay buffering.

Cyclone 10 GX devices support PLL-to-PLL cascading.

FPGA General Purpose I/O

Cyclone 10 GX devices offer highly configurable GPIOs. Each I/O bank contains 48 general purpose I/Os and a high-efficiency hard memory controller.

The following list describes the features of the GPIOs:

- Consist of 3 V I/Os for high-voltage application and LVDS I/Os for differential signaling
- Support a wide range of single-ended and differential I/O interfaces
- LVDS speeds up to 1.434 Gbps
- Each LVDS pair of pins has differential input and output buffers, allowing you to configure the LVDS direction for each pair.
- Programmable bus hold and weak pull-up
- Programmable differential output voltage (V_{OD}) and programmable pre-emphasis



- Series (R_S) and parallel (R_T) on-chip termination (OCT) for all I/O banks with OCT calibration to limit the termination impedance variation
- On-chip dynamic termination that has the ability to swap between series and parallel termination, depending on whether there is read or write on a common bus for signal integrity
- Easy timing closure support using the hard read FIFO in the input register path, and delay-locked loop (DLL) delay chain with fine and coarse architecture

External Memory Interface

Cyclone 10 GX devices offer external memory bandwidth of up to 1×72-bit or to 2×40-bit DDR3 memory interfaces running at up to 1,866 Mbps. This bandwidth provides ease of design, lower power, and resource efficiencies of hardened high-performance memory controllers.

The memory interface within Cyclone 10 GX FPGAs delivers the highest performance and ease of use. You can configure up to a maximum width of 72 bits when using the hard memory controllers.

Each I/O contains a hardened DDR read/write path (PHY) capable of performing key memory interface functionality such as read/write leveling, FIFO buffering to lower latency and improve margin, timing calibration, and on-chip termination.

The timing calibration is aided by the inclusion of hard microcontroller based on Intel's Nios® II technology, specifically tailored to control the calibration of multiple memory interfaces. This calibration allows the Cyclone 10 GX device to compensate for any changes in process, voltage, or temperature either within the Cyclone 10 GX device itself, or within the external memory device. The advanced calibration algorithms ensure maximum bandwidth and robust timing margin across all operating conditions.

Memory Standards Supported by Cyclone 10 GX Devices

The I/Os are designed to provide high performance support for existing and emerging external memory standards.

Table 11. Memory Standards Supported by the Hard Memory Controller

This table lists the capability of the hard memory controller and the maximum speed achievable in different I/O bank types. For specific details, refer to the External Memory Interface Spec Estimator and Cyclone 10 GX Device Datasheet.

| Memory Standard | Rate Support | Device Speed Grade | Ping Pong PHY Support | Frequency (MHz) | |
|-----------------|--------------|--------------------|-----------------------|-----------------|--------------|
| | | | | LVDS I/O Bank | 3 V I/O Bank |
| DDR3 SDRAM | Half rate | -5 | Yes | 533 | 225 |
| | | | — | 533 | 225 |
| | | -6 | Yes | 466 | 166 |
| | | | — | 466 | 166 |
| | Quarter rate | -5 | Yes | 933 | 450 |
| | | | — | 933 | 450 |
| | | -6 | Yes | 933 | 333 |
| | | | — | 933 | 333 |

continued...



| Memory Standard | Rate Support | Device Speed Grade | Ping Pong PHY Support | Frequency (MHz) | |
|-----------------|--------------|--------------------|-----------------------|-----------------|--------------|
| | | | | LVDS I/O Bank | 3 V I/O Bank |
| DDR3L SDRAM | Half rate | -5 | Yes | 533 | 225 |
| | | | — | 533 | 225 |
| | | -6 | Yes | 466 | 166 |
| | | | — | 466 | 166 |
| | Quarter rate | -5 | Yes | 933 | 450 |
| | | | — | 933 | 450 |
| | | -6 | Yes | 933 | 333 |
| | | | — | 933 | 333 |
| LPDDR3 | Half rate | -5 | — | 400 | 225 |
| | | -6 | — | 333 | 166 |
| | Quarter rate | -5 | — | 800 | 450 |
| | | -6 | — | 666 | 333 |

PCIe Gen1 and Gen2 Hard IP

Cyclone 10 GX devices contain PCIe hard IP that is designed for performance and ease-of-use:

- Includes all layers of the PCIe stack—transaction, data link and physical layers.
- Supports PCIe Gen2 Endpoint and Root Port in x1, x2, or x4 lane configuration.
- Operates independently from the core logic—optional configuration via protocol (CvP) allows the PCIe link to power up and complete link training in less than 100 ms while the Cyclone 10 GX device completes loading the programming file for the rest of the FPGA.
- Provides added functionality that makes it easier to support emerging features such as Single Root I/O Virtualization (SR-IOV) and optional protocol extensions.
- Provides improved end-to-end datapath protection using ECC.
- Supports FPGA configuration via protocol (CvP) using PCIe at Gen2 or Gen1 speed.

Enhanced PCS Hard IP for Interlaken and 10 Gbps Ethernet

Interlaken Support

The Cyclone 10 GX enhanced PCS hard IP provides integrated Interlaken PCS supporting rates up to 10.3125 Gbps per lane.

The Interlaken PCS is based on the proven functionality of the PCS developed for Intel's previous generation FPGAs, which demonstrated interoperability with Interlaken ASSP vendors and third-party IP suppliers. The Interlaken PCS is present in every transceiver channel in Cyclone 10 GX devices.



10 Gbps Ethernet Support

The Cyclone 10 GX enhanced PCS hard IP supports 10GBASE-R PCS compliant with IEEE 802.3 10 Gbps Ethernet (10GbE). The integrated hard IP support for 10GbE and the 10 Gbps transceivers save external PHY cost, board space, and system power.

The scalable hard IP supports multiple independent 10GbE ports while using a single PLL for all the 10GBASE-R PCS instantiations, which saves on core logic resources and clock networks:

- Simplifies multiport 10GbE systems compared to XAUI interfaces that require an external XAUI-to-10G PHY.
- Incorporates Electronic Dispersion Compensation (EDC), which enables direct connection to standard 10 Gbps XFP and SFP+ pluggable optical modules.

Low Power Serial Transceivers

Cyclone 10 GX FPGAs offer transceivers that deliver high bandwidth, throughput, and low latency at very low power consumption per channel. The transceivers support various data rates from 125 Mbps up to 10.3125 Gbps in chip-to-chip applications.

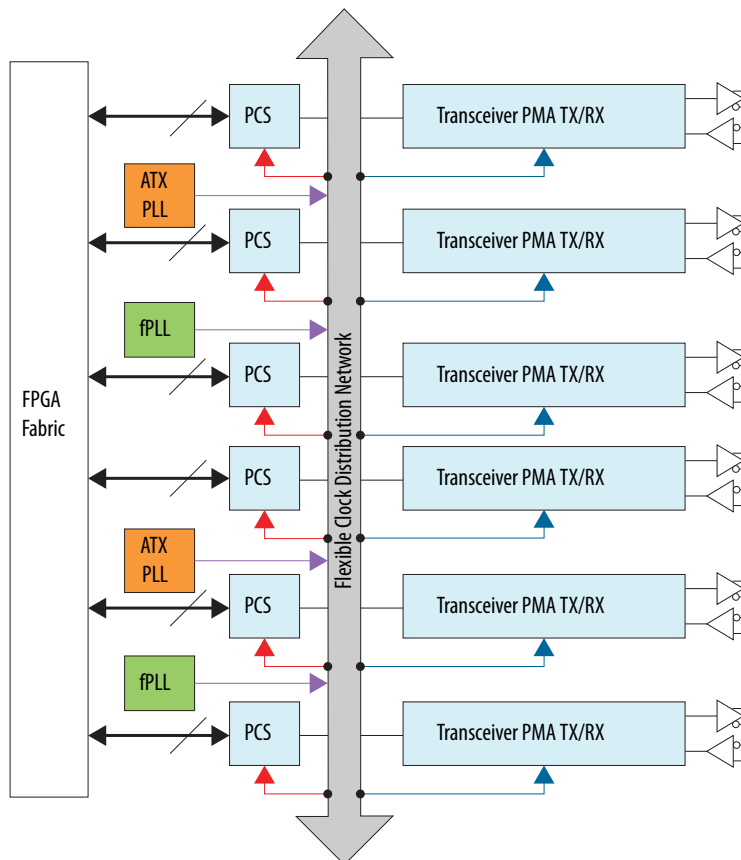
- 10 Gbps transceivers at as low as 168 mW
- 6 Gbps transceivers at as low as 117 mW

The combination of 20 nm process technology and architectural advances provide the following benefits:

- Significant reduction in die area and power consumption
- Increase of up to two times in transceiver I/O density compared to previous generation devices while maintaining optimal signal integrity
- Up to 12 transceiver channels
- All channels feature continuous data rate support up to the maximum rated speed



Figure 4. Cyclone 10 GX Transceiver Block Architecture



Transceiver Channels

All transceiver channels feature a dedicated Physical Medium Attachment (PMA) and a hardened Physical Coding Sublayer (PCS).

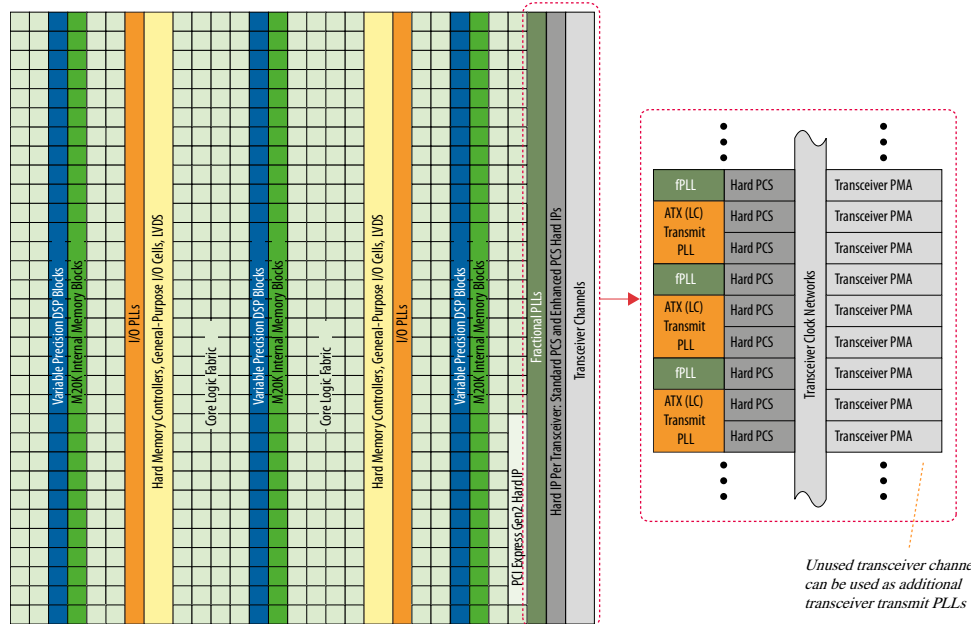
- The PMA provides primary interfacing capabilities to physical channels.
- The PCS typically handles encoding/decoding, word alignment, and other pre-processing functions before transferring data to the FPGA core fabric.

A transceiver channel consists of a PMA and a PCS block. Most transceiver banks have 6 channels. There are some transceiver banks which contain only 3 channels.

A wide variety of bonded and non-bonded data rate configurations is possible using a highly configurable clock distribution network.

The following figures are graphical representations of a top view of the silicon die, which corresponds to a reverse view for flip chip packages. Different Cyclone 10 GX devices may have different floorplans than the ones shown in the figures.

Figure 5. Device Chip Overview for Cyclone 10 GX Devices



Unused transceiver channel can be used as additional transceiver transmit PLLs

PMA Features

Cyclone 10 GX transceivers provide exceptional signal integrity at data rates up to 10.3125 Gbps. Clocking options include ultra-low jitter ATX PLLs (LC tank based), clock multiplier unit (CMU) PLLs, and fractional PLLs.

Each transceiver channel contains a channel PLL that can be used as the CMU PLL or clock data recovery (CDR) PLL. In CDR mode, the channel PLL recovers the receiver clock and data in the transceiver channel.

Table 12. PMA Features of the Transceivers in Cyclone 10 GX Devices

| Feature | Capability |
|---|--|
| Chip-to-Chip Data Rates | 125 Mbps to 10.3125 Gbps |
| Optical Module Support | SFP+/SFP, XFP, CXP, QSFP/QSFP28, CFP/CFP2/CFP4 |
| Cable Driving Support | SFP+ Direct Attach, PCI Express over cable, eSATA |
| Transmit Pre-Emphasis | 4-tap transmit pre-emphasis and de-emphasis to compensate for system channel loss |
| Continuous Time Linear Equalizer (CTLE) | Dual mode, high-gain, and high-data rate, linear receive equalization to compensate for system channel loss |
| Variable Gain Amplifier | Optimizes the signal amplitude prior to the CDR sampling and operates in fixed and adaptive modes |
| Intel Digital Adaptive Parametric Tuning (ADAPT) | Fully digital adaptation engine to automatically adjust all link equalization parameters—including CTLE and variable gain amplifier blocks—that provide optimal link margin without intervention from user logic |
| Precision Signal Integrity Calibration Engine (PreSICE) | Hardened calibration controller to quickly calibrate all transceiver control parameters on power-up, which provides the optimal signal integrity and jitter performance |

continued...



| Feature | Capability |
|--|--|
| Advanced Transmit (ATX) PLL | Low jitter ATX (LC tank based) PLLs with continuous tuning range to cover a wide range of standard and proprietary protocols |
| Fractional PLLs | On-chip fractional frequency synthesizers to replace on-board crystal oscillators and reduce system cost |
| Digitally Assisted Analog CDR | Superior jitter tolerance with fast lock time |
| On-Die Instrumentation—EyeQ and Jitter Margin Tool | Simplifies board bring-up, debug, and diagnostics with non-intrusive, high-resolution eye monitoring (EyeQ). Also injects jitter from transmitter to test link margin in system. |
| Dynamic Partial Reconfiguration | Allows independent control of the Avalon memory-mapped interface of each transceiver channel for the highest transceiver flexibility |
| Multiple PCS-PMA and PCS-PLD interface widths | 8-, 10-, 16-, 20-, 32-, 40-, or 64-bit interface widths for flexibility of deserialization width, encoding, and reduced latency |

PCS Features

You can use the transceiver PCS to support a wide range of protocols ranging from 125 Mbps to 10.3125 Gbps.

Table 13. PCS Features of the Transceivers in Cyclone 10 GX Devices

This table summarizes the Cyclone 10 GX transceiver PCS features.

| PCS | Description |
|---------------|--|
| Standard PCS | <ul style="list-style-type: none"> Operates at a data rate up to 10.3125 Gbps Supports protocols such as PCI-Express, CPRI 4.2+, and GigE Implements other protocols using Basic/Custom (Standard PCS) transceiver configuration rules. |
| Enhanced PCS | <ul style="list-style-type: none"> Performs functions common to most serial data industry standards, such as word alignment, encoding/decoding, and framing, before data is sent or received off-chip through the PMA Handles data transfer to and from the FPGA fabric Handles data transfer internally to and from the PMA Provides frequency compensation Performs channel bonding for multi-channel low skew applications |
| PCIe Gen2 PCS | <ul style="list-style-type: none"> Supports the seamless switching of Data and Clock between the Gen1 and Gen2 data rates Provides support for PIPE 3.0 features Supports the PIPE interface with the Hard IP enabled, as well as with the Hard IP bypassed |



PCS Protocol Support

Table 14. Protocols Supported by Cyclone 10 GX Transceiver PCS

This table lists some of the protocols supported by the Cyclone 10 GX transceiver PCS.

| Protocol | Data Rate (Gbps) | Transceiver IP | PCS Support |
|---------------------------------------|----------------------------|-------------------|--------------|
| PCIe Gen2 x1, x2, x4 | 5.0 | Native PHY (PIPE) | Standard PCS |
| PCIe Gen1 x1, x2, x4 | 2.5 | Native PHY (PIPE) | Standard PCS |
| 1000BASE-X Gigabit Ethernet | 1.25 | Native PHY | Standard PCS |
| 1000BASE-X Gigabit Ethernet with 1588 | 1.25 | Native PHY | Standard PCS |
| 10GBASE-R | 10.3125 | Native PHY | Enhanced PCS |
| 10GBASE-R 1588 | 10.3125 | Native PHY | Enhanced PCS |
| 10GBASE-R with KR FEC | 10.3125 | Native PHY | Enhanced PCS |
| Interlaken (CEI-6G/11G) | 3.125 to 10.3125 | Native PHY | Enhanced PCS |
| SFI-S/SFI-5.2 | 10.3125 | Native PHY | Enhanced PCS |
| CPRI 6.0 (64B/66B) | 0.6144 to 10.1376 | Native PHY | Enhanced PCS |
| CPRI 4.2 (8B/10B) | 0.6144 to 9.8304 | Native PHY | Standard PCS |
| OBSAI RP3 v4.2 | 0.6144 to 6.144 | Native PHY | Standard PCS |
| SD-SDI/HD-SDI/3G-SDI | 0.143 ⁴ to 2.97 | Native PHY | Standard PCS |

Dynamic and Partial Reconfiguration

The Cyclone 10 GX devices support dynamic and partial reconfiguration. You can use dynamic and partial reconfiguration simultaneously to enable seamless reconfiguration of both the device core and transceivers.

Dynamic Reconfiguration

You can reconfigure the PMA and PCS blocks while the device continues to operate. This feature allows you to change the data rates, protocol, and analog settings of a channel in a transceiver bank without affecting on-going data transfer in other transceiver banks. This feature is ideal for applications that require dynamic multiprotocol or multirate support.

Partial Reconfiguration

Using partial reconfiguration, you can reconfigure some parts of the device while keeping the device in operation.

Instead of placing all device functions in the FPGA fabric, you can store some functions that do not run simultaneously in external memory and load them only when required. This capability increases the effective logic density of the device, and lowers cost and power consumption.

4 The 0.143 Gbps data rate is supported using oversampling of user logic that you must implement in the FPGA fabric.



In the Intel® solution, you do not have to worry about intricate device architecture to perform a partial reconfiguration. The partial reconfiguration capability is built into the Quartus Prime design software, making such time-intensive task simple.

Cyclone 10 GX devices support partial reconfiguration in the following configuration options:

- Using an internal host:
 - All supported configuration modes where the FPGA has access to external memory devices such as serial and parallel flash memory.
 - Configuration via Protocol [CvP (PCIe)]
- Using an external host—passive serial (PS), fast passive parallel (FPP) x8, FPP x16, and FPP x32 I/O interface.

Enhanced Configuration and Configuration via Protocol

Table 15. Configuration Schemes and Features of Cyclone 10 GX Devices

Cyclone 10 GX devices support 1.8 V programming voltage and several configuration schemes.

| Scheme | Data Width | Max Clock Rate (MHz) | Max Data Rate (Mbps) ⁵ | Decompression | Design Security ⁶ | Partial Reconfiguration ⁷ | Remote System Update |
|--|----------------------|----------------------|-----------------------------------|---------------|------------------------------|--------------------------------------|-------------------------------------|
| JTAG | 1 bit | 33 | 33 | — | — | Yes ⁸ | — |
| Active Serial (AS) through the EPCQ-L configuration device | 1 bit, 4 bits | 100 | 400 | Yes | Yes | Yes ⁸ | Yes |
| Passive serial (PS) through CPLD or external microcontroller | 1 bit | 100 | 100 | Yes | Yes | Yes ⁸ | Parallel Flash Loader (PFL) IP core |
| Fast passive parallel (FPP) through CPLD or external microcontroller | 8 bits | 100 | 3200 | Yes | Yes | Yes ⁹ | PFL IP core |
| | 16 bits | | | Yes | Yes | | |
| | 32 bits | | | Yes | Yes | | |
| Configuration via Protocol [CvP (PCIe*)] | x1, x2, x4, x8 lanes | — | 8000 | Yes | Yes | Yes ⁸ | — |

5 Enabling either compression or design security features affects the maximum data rate. Refer to the Cyclone 10 GX Device Datasheet for more information.

6 Encryption and compression cannot be used simultaneously.

7 Partial reconfiguration is an advanced feature of the device family. If you are interested in using partial reconfiguration, contact Intel for support.

8 Partial configuration can be performed only when it is configured as internal host.

9 Supported at a maximum clock rate of 100 MHz.



You can configure Cyclone 10 GX devices through PCIe using Configuration via Protocol (CvP). The Cyclone 10 GX CvP implementation conforms to the PCIe 100 ms power-up-to-active time requirement.

SEU Error Detection and Correction

Cyclone 10 GX devices offer robust and easy-to-use single-event upset (SEU) error detection and correction circuitry.

The detection and correction circuitry includes protection for Configuration RAM (CRAM) programming bits and user memories. The CRAM is protected by a continuously running CRC error detection circuit with integrated ECC that automatically corrects one or two errors and detects higher order multi-bit errors. When more than two errors occur, correction is available through reloading of the core programming file, providing a complete design refresh while the FPGA continues to operate.

The physical layout of the Cyclone 10 GX CRAM array is optimized to make the majority of multi-bit upsets appear as independent single-bit or double-bit errors which are automatically corrected by the integrated CRAM ECC circuitry. In addition to the CRAM protection, the M20K memory blocks also include integrated ECC circuitry and are layout-optimized for error detection and correction. The MLAB does not have ECC.

Power Management

Cyclone 10 GX devices leverage the advanced 20 nm process technology, a low 0.9 V core power supply, an enhanced core architecture, and several optional power reduction techniques to reduce total power consumption.

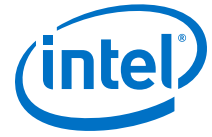
Cyclone 10 GX devices use Programmable Power Technology for power reduction. The Quartus Prime software identifies non-critical timing paths and biases the logic in these paths for low power instead of high performance.

Furthermore, Cyclone 10 GX devices feature Intel's industry-leading low power transceivers and include a number of hard IP blocks that not only reduce logic resources but also deliver substantial power savings compared to soft implementations. In general, hard IP blocks consume up to 90% less power than the equivalent soft logic implementations.

Incremental Compilation

The Quartus Prime software incremental compilation feature reduces compilation time and helps preserve performance to ease timing closure. The incremental compilation feature enables the partial reconfiguration flow for Cyclone 10 GX devices.

Incremental compilation supports top-down, bottom-up, and team-based design flows. This feature facilitates modular, hierarchical, and team-based design flows where different designers compile their respective design sections in parallel. Furthermore, different designers or IP providers can develop and optimize different blocks of the design independently. These blocks can then be imported into the top level project.



Document Revision History for Cyclone 10 GX Advance Information Brief

| Date | Version | Changes |
|---------------|------------|------------------|
| February 2017 | 2017.02.13 | Initial release. |