

Intel[®] MAX[®] 10 FPGA Device Family Pin Connection Guidelines



Contents

| | |
|--|----------|
| Intel® MAX® 10 FPGA Device Family Pin Connection Guidelines | 3 |
| Intel® MAX® 10 FPGA Pin Connection Guidelines..... | 4 |
| Clock and PLL Pins..... | 4 |
| Configuration/JTAG Pins..... | 5 |
| Differential I/O Pins..... | 8 |
| External Memory Interface Pins..... | 11 |
| Reference Pins..... | 11 |
| Analog Input Pins..... | 12 |
| Intel MAX 10 (Single Supply) FPGA..... | 14 |
| Intel MAX 10 (Dual Supply) FPGA..... | 15 |
| Notes to the Intel MAX 10 FPGA Pin Connection Guidelines..... | 17 |
| Power Supply Sharing Guidelines for Intel MAX 10 FPGA Devices..... | 19 |
| Example 1—Intel MAX 10 (Dual Supply) FPGA..... | 19 |
| Example 2—Intel MAX 10 (Dual Supply) FPGA..... | 21 |
| Example 3—Intel MAX 10 (Dual Supply) FPGA..... | 24 |
| Example 4—Intel MAX 10 (Single Supply) FPGA..... | 27 |
| Example 5—Intel MAX 10 (Single Supply) FPGA..... | 28 |
| Example 6—Intel MAX 10 (Single Supply) FPGA..... | 30 |
| Document Revision History for Intel MAX 10 FPGA Device Family Pin Connection Guidelines..... | 33 |



Intel® MAX® 10 FPGA Device Family Pin Connection Guidelines

Disclaimer

© 2020 Intel Corporation. All rights reserved. Intel, the Intel logo, Altera, Arria, Cyclone, Enpirion, MAX, NIOS, Quartus Prime and Stratix words and logos are trademarks of Intel Corporation in the US and/or other countries. Other marks and brands may be claimed as the property of others. Intel warrants performance of its FPGA and semiconductor products to current specifications in accordance with Intel's standard warranty, but reserves the right to make changes to any products and services at any time without notice. Intel assumes no responsibility or liability arising out of the application or use of any information, product, or service described herein except as expressly agreed to in writing by Intel. Intel customers are advised to obtain the latest version of device specifications before relying on any published information and before placing orders for products or services. These pin connection guidelines, and your use thereof, are subject to and governed by Intel's terms and conditions below. By using these pin connection guidelines, you indicate your acceptance of all such terms and conditions. If you do not agree with such terms and conditions, you may not use the pin connection guidelines, and you are required to promptly and irrevocably destroy the pin connection guidelines and any copies or portions thereof in your possession or under your control.

Terms and Conditions:

1. These pin connection guidelines are provided as examples only, and should not be deemed to be technical specifications or recommendations. The use of the pin connection guidelines for any particular design should be verified for device operation with the applicable datasheet and Intel.
2. Subject to these terms and conditions, Intel grants to you the use of these pin connection guidelines as examples of possible pin connections of an Intel programmable logic device-based design. You may not use these pin connection guidelines for any other purpose except as expressly permitted in these terms and conditions. Intel does not recommend, suggest, or require that these pin connection guidelines be used in conjunction or combination with any other software or product, and makes no representations, warranties or guaranties, implied or express as well as any warranties arising from course of performance, course of dealing, or usage in trade including but not limited to the accuracy, completeness or genuineness thereof.
3. Intel will not be liable for any lost revenue, lost profits, or other consequential, indirect, or special damages caused by your use of these pin connection guidelines even if advised of the possibility of such damages occurring.
4. This agreement shall be governed in all respects by the laws of the State of Delaware, without regard to conflict of law or choice of law principles. You agree to submit to the exclusive jurisdiction of the federal and state courts in the State of Delaware for the resolution of any dispute or claim arising out of or relating to these terms of use.

Intel Corporation. All rights reserved. Agilex, Altera, Arria, Cyclone, Enpirion, Intel, the Intel logo, MAX, Nios, Quartus and Stratix words and logos are trademarks of Intel Corporation or its subsidiaries in the U.S. and/or other countries. Intel warrants performance of its FPGA and semiconductor products to current specifications in accordance with Intel's standard warranty, but reserves the right to make changes to any products and services at any time without notice. Intel assumes no responsibility or liability arising out of the application or use of any information, product, or service described herein except as expressly agreed to in writing by Intel. Intel customers are advised to obtain the latest version of device specifications before relying on any published information and before placing orders for products or services.

*Other names and brands may be claimed as the property of others.



Intel® MAX® 10 FPGA Pin Connection Guidelines

Clock and PLL Pins

Note: Intel® recommends that you create an Intel Quartus® Prime design, enter your device I/O assignments, and compile the design. The Intel Quartus Prime software will check your pin connections according to I/O assignment and placement rules. The rules differ from one device to another based on device density, package, I/O assignments, voltage assignments, and other factors that are not fully described in this document or the device handbook.

Table 1. Clock and PLL Pins

| Pin Name | Pin Functions | Pin Description | Connection Guidelines |
|-----------------------|---------------|--|--|
| CLK [0..7]p | Clock, I/O | Dedicated global clock input pins that can also be used for the positive terminal inputs for differential global clock input or user input pins. When these clock input pins are used as single-ended pins, you can disregard the p notation. CLK[0..7]p pins can function as regular I/O pins. | Connect unused pins to the VCCIO of the bank in which the pins reside or GND. See Notes 2 and 3. |
| CLK[0..7]n | Clock, I/O | Dedicated global clock input pins that can also be used for the negative terminal inputs for differential global clock input or user input pins. When these clock input pins are used as single-ended pins, you can disregard the n notation. CLK[0..7]n pins can function as regular I/O pins. | Connect unused pins to the VCCIO of the bank in which the pins reside or GND. See Notes 2 and 3. |
| DPCLK[0..3] | I/O, Input | DPCLK pins can connect to the global clock network for high fan-out control signals such as clocks, asynchronous clears, presets, and clock enables. DPCLK pins cannot feed a PLL input. | Connect unused pins to the VCCIO of the bank they reside in or GND. These pins can function as regular I/O pins. See Note 3. |
| PLL_[L,R,B,T]_CLKOUTp | I/O, Output | Optional positive terminal for external clock outputs from PLL [1..4]. These pins can be assigned to single-ended or differential I/O standards if it is being fed by a PLL output. <ul style="list-style-type: none"> PLL_L_CLKOUTp is referring to PLL_1. PLL_R_CLKOUTp is referring to PLL_2. PLL_T_CLKOUTp is referring to PLL_3. PLL_B_CLKOUTp is referring to PLL_4. | Connect unused pins to GND. These pins can function as regular I/O pins. See Note 3. |

continued...



| Pin Name | Pin Functions | Pin Description | Connection Guidelines |
|-----------------------|---------------|---|--|
| | | The availability for PLL_[L,R,B,T]_CLKOUTp pins varies for each device density and package combination. For details, refer to the specific device pinout file. | |
| PLL_[L,R,B,T]_CLKOUTn | I/O, Output | <p>Optional negative terminal for external clock outputs from PLL [1..4]. These pins can be assigned to single-ended or differential I/O standards if it is being fed by a PLL output.</p> <ul style="list-style-type: none"> PLL_L_CLKOUTn is referring to PLL_1. PLL_R_CLKOUTn is referring to PLL_2. PLL_T_CLKOUTn is referring to PLL_3. PLL_B_CLKOUTn is referring to PLL_4. <p>The availability for PLL_[L,R,B,T]_CLKOUTn pins varies for each device density and package combination. For details, refer to the specific device pinout file.</p> | <p>Connect unused pins to GND.</p> <p>These pins can function as regular I/O pins. See Note 3.</p> |

Configuration/JTAG Pins

Note: Intel recommends that you create an Intel Quartus Prime design, enter your device I/O assignments, and compile the design. The Intel Quartus Prime software will check your pin connections according to I/O assignment and placement rules. The rules differ from one device to another based on device density, package, I/O assignments, voltage assignments, and other factors that are not fully described in this document or the device handbook.

Table 2. Configuration/JTAG Pins

| Pin Name | Pin Functions | Pin Description | Connection Guidelines |
|------------|---------------------------------|--|---|
| CONFIG_SEL | Input, I/O | <p>This is a dual-purpose pin. Use this pin to choose the configuration image in the dual-configuration images mode. If the CONFIG_SEL pin is set to low, the first configuration image is configuration image 0. If the CONFIG_SEL pin is set to high, the first configuration image is configuration image 1.</p> <p>This pin is read before user mode and before the nSTATUS pin is asserted.</p> | <p>To select the configuration image in the dual-configuration images mode, connect a weak 10-KΩ pull-up or weak 10-KΩ pull-down to this pin externally during the power-up phase. By default this pin is tri-stated.</p> <p>A weak 10-KΩ pull-up or weak 10-KΩ pull-down is not needed if you do not plan to use the dual configuration images mode.</p> <p>See Note 10.</p> |
| CONF_DONE | Bidirectional (open-drain), I/O | <p>This is a dual-purpose pin. The CONF_DONE pin drives low before and during configuration. After all configuration data is received without error and the initialization cycle starts, the CONF_DONE pin is released.</p> | <p>The CONF_DONE pin should be pulled high to VCCIO Bank 8 by an external 10-KΩ pull-up resistor.</p> <p>The Intel MAX® 10 device will not enter the initialization and user mode if the CONF_DONE pin is pulled low.</p> |

continued...



| Pin Name | Pin Functions | Pin Description | Connection Guidelines |
|---------------------|--------------------------|--|---|
| | | | Hot socketing is disabled for the CONF_DONE pin. Due to this, a glitch maybe observed at the CONF_DONE pin. To monitor the status of the pin, Intel recommends to implement input buffer with hysteresis and digital filtering with the sampling duration larger than 5.5 ms in the external device to avoid false trip. |
| CRC_ERROR | Output (open-drain), I/O | This is a dual-purpose pin. Active high signal indicates that the error detection circuitry has detected errors in the configuration CRAM bits. The CRC_ERROR pin is an optional pin and is used when the cyclic redundancy check (CRC) error detection circuitry is enabled. | Intel recommends you to tie the CRC_ERROR pin to VCCIO, GND, or leave the pin unconnected when the CRC error detection circuitry is disabled or when you are not using the CRC_ERROR pin. |
| DEV_CLRn | Input, I/O | This is a dual-purpose pin. Optional chip-wide reset pin that allows you to override all clears on all device registers. When this pin is driven low, all registers are cleared. When this pin is driven high, all registers behave as programmed. The DEV_CLRn pin does not affect JTAG boundary-scan or programming operations. You can enable this pin by turning on the Enable device-wide reset (DEV_CLRn) option in the Intel Quartus Prime software. | Intel recommends you to tie the DEV_CLRn pin to GND when the Enable device-wide reset (DEV_CLRn) option is disabled and not used as a user I/O pin. You can also tie the DEV_CLRn pin to VCCIO or leave the DEV_CLRn pin unconnected provided that the Enable device-wide reset (DEV_CLRn) option is disabled and not used as a user I/O pin. When you leave the DEV_CLRn pin unconnected, Intel recommends you to set the DEV_CLRn pin to input tri-state with a weak pull-up. |
| DEV_OE | Input, I/O | This is a dual-purpose pin. Optional pin that allows you to override all tri-states on the device. When this pin is driven low, all I/O pins are tri-stated. When this pin is driven high, all I/O pins behave as programmed. You can enable this pin by turning on the Enable device-wide output enable (DEV_OE) option in the Intel Quartus Prime software. | Intel recommends you to tie the DEV_OE pin to GND when the Enable device-wide output enable (DEV_OE) option is disabled and not used as a user I/O pin. You can also tie the DEV_OE pin to VCCIO or leave the DEV_OE pin unconnected provided that the Enable device-wide output enable (DEV_OE) option is disabled and not used as a user I/O pin. When you leave the DEV_OE pin unconnected, Intel recommends you to set the DEV_OE pin to input tri-state with a weak pull-up. |
| JTAGEN | I/O | This is a dual-purpose pin. This pin functions according to the setting of the JTAG pin sharing option bit. If the JTAG pin sharing is not enabled, the JTAGEN pin is a regular I/O pin and JTAG pins function as JTAG dedicated pins. If the JTAG pin sharing is enabled and the JTAGEN pin is pulled low, JTAG pins function as dual-purpose pins. If the JTAG pin sharing is enabled and the JTAGEN pin is pulled high, JTAG pins function as JTAG dedicated pins. | This pin has an internal 25-kΩ pull up. In user mode, to use JTAG pins as regular I/O pins, tie the JTAGEN pin to a weak 1-kΩ pull-down. To use JTAG pin as dedicated pin, tie the JTAGEN pin to a weak 10-kΩ pull-up. |
| <i>continued...</i> | | | |



| Pin Name | Pin Functions | Pin Description | Connection Guidelines |
|----------|---------------------------------|---|--|
| nCONFIG | Input, I/O | <p>This is a dual-purpose pin, as an nCONFIG pin or a single-ended input pin in user mode. Before user mode, these pins function as configuration pins.</p> <p>During configuration mode, the pin name is nCONFIG. During user mode, the pin name is Input_only.</p> <p>If you pull this pin low during user mode the device will lose its configuration data, enter a reset state, and tri-state all I/O pins. Pulling this pin to a logic-high level initiates reconfiguration.</p> | <p>Upon power up, the nCONFIG pin must be pulled high. Connect this pin directly or through a 10-kΩ resistor to VCCIO.</p> |
| nSTATUS | Bidirectional (open-drain), I/O | <p>This is a dual-purpose pin, as an nSTATUS pin or a regular user I/O pin in user mode. By default, the nSTATUS pin is a dedicated configuration pin in user mode.</p> <p>The device drives the nSTATUS pin low immediately after power up and releases the pin after power-on reset (POR) time.</p> <p>As a status output, the nSTATUS pin is pulled low if an error occurs during configuration.</p> <p>As a status input, the device enters an error state when the nSTATUS pin is driven low by an external source during configuration or initialization.</p> | <p>Pull the nSTATUS pin high using an external 10-kΩ pull-up resistor. Pull the nSTATUS pin high using an external 10-kΩ pull-up resistor.</p> <p>Hot socketing is disabled for the nSTATUS pin. Due to this, a glitch maybe observed at the nSTATUS pin. To monitor the status of the pin, Intel recommends to implement input buffer with hysteresis and digital filtering with the sampling duration larger than 5.5 ms in the external device to avoid false trip.</p> |
| TCK | Input, I/O | JTAG test clock input pin. This is a dual-purpose pin. | <p>This TCK pin does not support internal weak pull-down. Connect this pin to an external 1-KΩ – 10-KΩ pull-down resistor.</p> <p>By default this pin is tri-stated.</p> <p>If the configuration voltage exceed 2.5 V (VCCIO Bank 1B), Intel recommends you to add an external capacitor and diode to reduce voltage overshoot.</p> <p>For more information about overshoot prevention circuitry, refer to the <i>Intel MAX 10 Configuration User Guide</i>.</p> |
| TDO | Output, I/O | This is a dual-purpose pin, as a JTAG TDO pin or a regular user I/O pin in user mode. | <p>Intel recommends you to leave this pin unconnected if not used.</p> <p>By default this pin is tri-stated.</p> <p>If the configuration voltage exceed 2.5 V (VCCIO Bank 1B), Intel recommends you to add an external capacitor and diode to reduce voltage overshoot.</p> |

continued...



| Pin Name | Pin Functions | Pin Description | Connection Guidelines |
|----------|---------------|---|--|
| | | | For more information about overshoot prevention circuitry, refer to the <i>Intel MAX 10 Configuration User Guide</i> . |
| TDI | Input, I/O | This is a dual-purpose pin, as a JTAG TDI pin or a regular user I/O pin in user mode. You can disable the JTAG circuitry by connecting the TDI pin to VCCIO Bank 1B. | This pin has a weak internal pull-up. For configuration voltage of 2.5 V, 3.0 V, or 3.3 V, connect this pin through a 10-kΩ resistor to 2.5 V (VCCIO Bank 1B) to prevent voltage overshoot. If power supplies exceed 2.5 V, Intel recommends you to add an external capacitor and diode to reduce voltage overshoot. For configuration voltage of 1.5 V and 1.8 V, connect this pin through a 10-kΩ resistor to 1.5 V or 1.8 V (VCCIO Bank 1B) supply, respectively. For more information about overshoot prevention circuitry, refer to the <i>Intel MAX 10 Configuration User Guide</i> . |
| TMS | Input, I/O | This is a dual-purpose pin, as a JTAG TMS pin or a regular user I/O pin in user mode. You can disable the JTAG circuitry by connecting the TMS pin to VCCIO Bank 1B. | This pin has a weak internal pull-up. For configuration voltage of 2.5 V, 3.0 V, or 3.3 V, connect this pin through a 10-kΩ resistor to 2.5 V (VCCIO Bank 1B) to prevent voltage overshoot. If power supplies exceed 2.5 V, Intel recommends you to add an external capacitor and diode to reduce voltage overshoot. For configuration voltage of 1.5 V and 1.8 V, connect this pin through a 10-kΩ resistor to 1.5 V or 1.8 V (VCCIO Bank 1B) supply, respectively. For more information about overshoot prevention circuitry, refer to the <i>Intel MAX 10 Configuration User Guide</i> . |

Differential I/O Pins

Note: Intel recommends that you create an Intel Quartus Prime design, enter your device I/O assignments, and compile the design. The Intel Quartus Prime software will check your pin connections according to I/O assignment and placement rules. The rules differ from one device to another based on device density, package, I/O assignments, voltage assignments, and other factors that are not fully described in this document or the device handbook.

Table 3. Differential I/O Pins

| Pin Name | Pin Functions | Pin Description | Connection Guidelines |
|---|----------------------------------|---|--|
| DIFFIO_RX_L[#:#][n,p], DIFFOUT_L[#:#][n,p] | I/O, dedicated RX channel, | When used as differential inputs, these are true LVDS receiver channels on left I/O banks. Pins with a “p” suffix carry the positive signal for the differential channel. Pins with | Connect unused pins as defined in the Intel Quartus Prime software. For the number of LVDS pair count for each Intel MAX 10 device, refer to the respective device pinout file. |
| <i>continued...</i> | | | |



| Pin Name | Pin Functions | Pin Description | Connection Guidelines |
|---|---|--|---|
| | emulated LVDS output channel | <p>an "n" suffix carry the negative signal for the differential channel. If not used for differential signaling, these pins are available as user I/O pins.</p> <p>When used as differential outputs, these are emulated LVDS output channels on left I/O banks. External resistor network is needed for emulated LVDS output buffers. Pins with a "p" suffix carry the positive signal for the differential channel. Pins with an "n" suffix carry the negative signal for the differential channel. If not used for differential signaling, these pins are available as user I/O pins.</p> | |
| DIFFIO_RX_R[#:#[n,p], DIFFOUT_R[#:#[n,p] | I/O, dedicated RX channel, emulated LVDS output channel | <p>When used as differential inputs, these are true LVDS receiver channels on right I/O banks. Pins with a "p" suffix carry the positive signal for the differential channel. Pins with an "n" suffix carry the negative signal for the differential channel. If not used for differential signaling, these pins are available as user I/O pins.</p> <p>When used as differential outputs, these are emulated LVDS output channels on right I/O banks. External resistor network is needed for emulated LVDS output buffers. Pins with a "p" suffix carry the positive signal for the differential channel. Pins with an "n" suffix carry the negative signal for the differential channel. If not used for differential signaling, these pins are available as user I/O pins.</p> | <p>Connect unused pins as defined in the Intel Quartus Prime software.</p> <p>For the number of LVDS pair count for each Intel MAX 10 device, refer to the respective device pinout file.</p> |
| DIFFIO_RX_T[#:#[n,p], DIFFOUT_T[#:#[n,p] | I/O, dedicated RX channel, emulated LVDS output channel | <p>When used as differential inputs, these are true LVDS receiver channels on top I/O banks. Pins with a "p" suffix carry the positive signal for the differential channel. Pins with an "n" suffix carry the negative signal for the differential channel. If not used for differential signaling, these pins are available as user I/O pins.</p> <p>When used as differential outputs, these are emulated LVDS output channels on top I/O banks. External resistor network is needed for emulated LVDS output buffers. Pins with a "p" suffix carry the positive signal for the differential channel. Pins with an "n" suffix carry the negative signal for the differential channel. If not used for differential signaling, these pins are available as user I/O pins.</p> | <p>Connect unused pins as defined in the Intel Quartus Prime software.</p> <p>For the number of LVDS pair count for each Intel MAX 10 device, refer to the respective device pinout file.</p> |
| DIFFIO_RX_B[#:#[n,p], DIFFOUT_B[#:#[n,p] | I/O, dedicated RX channel, emulated LVDS output channel | <p>When used as differential inputs, these are true LVDS receiver channels on bottom I/O banks. Pins with a "p" suffix carry the positive signal for the differential channel. Pins with an "n" suffix carry the negative signal for the differential channel. If not used for differential signaling, these pins are available as user I/O pins.</p> | <p>Connect unused pins as defined in the Intel Quartus Prime software.</p> <p>For the number of LVDS pair count for each Intel MAX 10 device, refer to the respective device pinout file.</p> |

continued...



| Pin Name | Pin Functions | Pin Description | Connection Guidelines |
|------------------------------|---------------------------------------|---|---|
| | | When used as differential outputs, these are emulated LVDS output channels on bottom I/O banks. External resistor network is needed for emulated LVDS output buffers. Pins with a "p" suffix carry the positive signal for the differential channel. Pins with an "n" suffix carry the negative signal for the differential channel. If not used for differential signaling, these pins are available as user I/O pins. | |
| DIFFIO_TX_RX_B[#:#] [n,p] | I/O, dedicated TX/RX channel | These are true LVDS transmitter channels or true LVDS receiver channels on bottom I/O banks. Pins with a "p" suffix carry the positive signal for the differential channel. Pins with an "n" suffix carry the negative signal for the differential channel. If not used for differential signaling, these pins are available as user I/O pins. | Connect unused pins as defined in the Intel Quartus Prime software. For the number of LVDS pair count for each Intel MAX 10 device, refer to the respective device pinout file. |
| High_Speed | I/O | These are I/O pins. High_Speed I/O pins have higher performance compared to Low_Speed I/O pins. High_Speed I/O pins reside in Banks 2, 3, 4, 5, 6, and 7. | Connect unused pins as defined in the Intel Quartus Prime software. |
| Low_Speed | I/O | These are I/O pins. Low_Speed I/O pins have lower performance compared to High_Speed I/O pins. Low_Speed I/O pins reside in Banks 1A, 1B, and 8. | Connect unused pins as defined in the Intel Quartus Prime software. |
| RDN | I/O, Input | This pin is required for each OCT RS calibration block. OCT is only applicable for right I/O banks (banks 5 and 6) of 10M16, 10M25, and 10M50 devices. This pin is a dual-purpose pin, you can use the RDN pin as a regular I/O pin if the OCT calibration is not used. When you use OCT calibration, connect the RDN pin to GND through an external resistor. | When you use OCT, tie these pins to GND through either a 25-, 34-, 40-, 48-, or 50-Ω resistor depending on the desired I/O standard. When the device does not use this dedicated input pin for the external precision resistor or as an I/O pin, Intel recommends you to connect the RDN pin to GND. |
| RUP | I/O, Input | This pin is required for each OCT RS calibration block. OCT is only applicable for right I/O banks (banks 5 and 6) of 10M16, 10M25, and 10M50 devices. This pin is a dual-purpose pin, you can use the RUP pin as a regular I/O pin if the OCT calibration is not used. When you use OCT calibration, connect the RUP pin to VCCN through an external resistor. | When you use OCT, tie these pins to the required VCCIO banks through either a 25-, 34-, 40-, 48-, or 50-Ω resistor depending on the desired I/O standard. When the device does not use this dedicated input pin for the external precision resistor or as an I/O pin, Intel recommends you to connect the RUP pin to VCCIO of the bank in which the RUP pin resides or GND. |
| VREFB<#>N0 | Power, I/O | These pins are dual-purpose pins. For Banks 1A and 1B, VREF pins are shared. Input reference voltage for each I/O bank. If a bank uses a voltage referenced I/O standard for input operation, then these pins are used as the voltage-reference pins for the bank. | If you are not using the VREF pins in banks or shared banks, connect unused pins as defined in the Intel Quartus Prime software. When VREF pins are used as I/O pins, they have higher capacitance than regular I/O pins which will slow the edge rates and affect I/O timing. |



External Memory Interface Pins

Note: Intel recommends that you create an Intel Quartus Prime design, enter your device I/O assignments, and compile the design. The Intel Quartus Prime software will check your pin connections according to I/O assignment and placement rules. The rules differ from one device to another based on device density, package, I/O assignments, voltage assignments, and other factors that are not fully described in this document or the device handbook.

Table 4. External Memory Interface Pins

| Pin Name | Pin Functions | Pin Description | Connection Guidelines |
|----------|---------------|--|---|
| DQ[#]R | I/O, DQ | Optional data signal for use in external memory interfacing. The order of the DQ bits within a designated DQ bus is not important. However, use with caution when making pin assignments if you plan on migrating to a different memory interface that has a different DQ bus width. | Connect unused pins as defined in the Intel Quartus Prime software. |
| DQS[#]R | I/O, DQS | Optional data strobe signal for use in external memory interfacing. | Connect unused pins as defined in the Intel Quartus Prime software. |
| DQSn[#]R | I/O, DQSn | Optional complementary data strobe signal for use in external memory interfacing. | Connect unused pins as defined in the Intel Quartus Prime software. |
| DM[#]R | I/O, DM | A low signal on the DM pin indicates that the write is valid. Driving the DM pin high results in the memory masking of the DQ signals. | Connect unused pins as defined in the Intel Quartus Prime software. |
| CK_[6] | I/O, Output | Input clock for external memory devices. | Connect unused pins as defined in the Intel Quartus Prime software. |
| CK#_[6] | I/O, Output | Input clock for external memory devices, inverted CK. | Connect unused pins as defined in the Intel Quartus Prime software. |

Reference Pins

Note: Intel recommends that you create an Intel Quartus Prime design, enter your device I/O assignments, and compile the design. The Intel Quartus Prime software will check your pin connections according to I/O assignment and placement rules. The rules differ from one device to another based on device density, package, I/O assignments, voltage assignments, and other factors that are not fully described in this document or the device handbook.



Table 5. Reference Pins

| Pin Name | Pin Functions | Pin Description | Connection Guidelines |
|----------|---------------|---------------------------------------|---|
| GND | Ground | Device ground pins. | Intel recommends you to tie REFGND to the GND pin with an isolating ferrite bead for the best ADC performance. Connect all GND pins to the board GND plane. |
| NC | No Connect | Do not drive signals into these pins. | When designing for device migration you may connect these pins to power, ground, or a signal trace depending on the pin assignment of the devices selected for migration. However, if device migration is not a concern, leave these pins floating. |
| DNU | Do Not Use | Do Not Use (DNU). | Do not connect to power, GND, or any other signal. These pins must be left floating. |

Analog Input Pins

Note: Intel recommends that you create an Intel Quartus Prime design, enter your device I/O assignments, and compile the design. The Intel Quartus Prime software will check your pin connections according to I/O assignment and placement rules. The rules differ from one device to another based on device density, package, I/O assignments, voltage assignments, and other factors that are not fully described in this document or the device handbook.

Table 6. Analog Input Pins

| Pin Name | Pin Functions | Pin Description | Connection Guidelines |
|--------------------|---------------|---|---|
| ADC[1..2]IN[1..16] | I/O, Input | <p>These multi-purpose pins support single-ended analog input or, bank does not support both analog and digital signals simultaneously. When not used as analog input pins, these pins can be used as any other digital I/O pins.</p> <p>ADCIN[8] and ADCIN[16] pins support the prescaler feature.</p> <p>For 10M08 and 10M16 devices, ADC1IN[1..8] pins are available for the single power supply devices and ADC1IN[1..16] pins are available for the dual power supply devices.</p> <p>For 10M25 and 10M50 devices, ADC1IN[1..8] and ADC2IN[1..8] pins are available for both single and dual power supply devices.</p> | <p>All digital I/O pins will be tri-stated if any of these pins is configured as an analog input pin. For unused ADCIN pins, Intel recommends you to connect them to GND.</p> <p>No parallel routing between analog input signals and I/O traces. The crosstalk requirement for analog to digital signal is -100 dB up to 2 GHz. Route the analog input signal adjacent to the REFGND.</p> <p>Total RC value including package, trace, and driver parasitic values should be less than 42.4 ns. This is to ensure the input signal is fully settled during the sampling phase.</p> <p>Low pass filter is required for each analog input pin. The filter ground reference is REFGND.</p> |

continued...



| Pin Name | Pin Functions | Pin Description | Connection Guidelines |
|------------|---------------|--|---|
| | | | For details about the board design guidelines, refer to the <i>Intel MAX 10 Analog to Digital Converter User Guide</i> . |
| ADC_VREF | Input | Analog-to-digital converter (ADC) voltage reference input. | Tie the ADC_VREF pin to an external accurate voltage reference source. If you are not using the external reference, this pin is a no connect (NC). No parallel routing between analog input signals and I/O traces. The crosstalk requirement for analog to digital signal is -100 dB up to 2 GHz. For more information, refer to the Guidelines: Board Design for ADC Reference Voltage Pin section of the <i>Intel MAX 10 Analog to Digital Converter User Guide</i> . |
| ANAIN[1] | Input | This is a dedicated single-ended analog input pin for ADC1. | If this pin is not used, Intel recommends you to connect it to GND. No parallel routing between analog input signals and I/O traces. The crosstalk requirement for analog to digital signal is -100 dB up to 2 GHz. Route the analog input signal adjacent to the REFGND. Total RC value including package, trace, and driver parasitic values should be less than 42.4 ns. This is to ensure the input signal is fully settled during the sampling phase. Low pass filter is required for each analog input pin. The filter ground reference is REFGND. For details about the board design guidelines, refer to the <i>Intel MAX 10 Analog to Digital Converter User Guide</i> . |
| ANAIN[2] | Input | This is a dedicated single-ended analog input pin for ADC2. This pin is not available in each device density and package combination. For details, refer to the specific device pinout file. | If this pin is not used, Intel recommends you to connect it to GND. No parallel routing between analog input signals and I/O traces. The crosstalk requirement for analog to digital signal is -100 dB up to 2 GHz. The RC filter ground reference is REFGND. Total RC value including package, trace, and driver parasitic values should be less than 42.4 ns. This is to ensure the input signal is fully settled during the sampling phase. Low pass filter is required for each analog input pin. The filter ground reference is REFGND. For more information, refer to the <i>Intel MAX 10 Analog to Digital Converter User Guide</i> . |
| REFGND | Input | This pin is the ADC ground reference pin for analog pins. | Intel recommends you to tie REFGND to the GND pin with an isolating ferrite bead for the best ADC performance. If you are not using ADC, tie this pin directly to GND. |



Intel MAX 10 (Single Supply) FPGA

Note: Intel recommends that you create an Intel Quartus Prime design, enter your device I/O assignments, and compile the design. The Intel Quartus Prime software will check your pin connections according to I/O assignment and placement rules. The rules differ from one device to another based on device density, package, I/O assignments, voltage assignments, and other factors that are not fully described in this document or the device handbook.

Table 7. Intel MAX 10 (Single Supply) FPGA

| Pin Name | Pin Functions | Pin Description | Connection Guidelines |
|----------|---------------|---|--|
| VCC_ONE | Power | Power supply pin for core and periphery through an on-die regulator. The voltage is internally regulated to 1.2V to supply power to the core and periphery. | The VCC_ONE power supply pin supports E144, M153, U169, and U324 package-types only. Connect all VCC_ONE pins to either 3.0- or 3.3-V power supply. Tie VCC_ONE and VCCA with filter using the same power supply on board level. |
| VCCIO[#] | Power | I/O supply voltage pins for banks 1 through 8. Each bank supports different voltage level. The VCCIO pin supplies power to the input and output buffers for banks 1 through 8 for all I/O standards. The VCCIO pin powers up the JTAG and configuration pins. | Connect these pins to 1.0-, 1.2-, 1.35-, 1.5-, 1.8-, 2.5-, 3.0-, or 3.3-V power supplies, depending on the I/O standard assigned to each I/O bank. <i>Note:</i> The 1.0-V VCCIO is not supported on I/O banks 1B and 8. For single-supply device option, the 1.0-V VCCIO is only supported on the following devices: 10M02SCU324C8G, 10M04SCU324C8G, 10M08SCU324C8G, 10M16SCU324C8G, 10M16SCU169C8G, 10M16SAU169C8G. If you are migrating from other Intel MAX 10 devices to the 10M02 device, the VCCIO1A and VCCIO1B pins are shorted to the VCCIO1 pin of the 10M02 device. If you do not enable the ADC feature, you may connect VCCIO1A and VCCIO1B pins to different voltage levels, provided that the VREF pin is not used. If the VREF pin is used, you must connect the VCCIO1A and VCCIO1B pins to the same voltage level. If you enable the ADC feature, connect VCCIO1A and VCCIO1B to either 3.0- or 3.3-V depending on the VCC_ONE pins used. The power supply sharing between VCCIO1A and VCCIO1B pins requires filtering to isolate the noise. The filter should be located near to VCCIO1A pins. Only 10M02 devices do not require filtering if VCCIO1A and VCCIO1B share the same power supply. When the ADC feature is enabled, filter is required. |

continued...



| Pin Name | Pin Functions | Pin Description | Connection Guidelines |
|------------|---------------|--|--|
| | | | <p>If you are migrating from the 10M08 or 10M16 device to the 10M02 device with ADC enabled, replace the filter with 0-Ω resistor in the 10M02 device.</p> <p>For details about the available VCCIO pins for each Intel MAX 10 device, refer to the respective device pinout file. See Note 4.</p> <p>Decoupling of these pins depends on the design decoupling requirements of the specific board.</p> |
| VCCA[1..6] | Power | Power supply pins for PLL and ADC block. | <p>Connect these pins to a 3.0- or 3.3-V power supplies even if the PLL and ADC are not used. These pins must be powered up and powered down at the same time. Connect all VCCA pins together.</p> <p>VCCA power supply to the FPGA should be isolated for better jitter performance. See Notes 5 and 6.</p> <p>VCCA[1..4] is available for M153, U169, and U324 packages while VCCA[1..6] is available for the E144 package.</p> <p>For more information about the UFM and CFM power-down requirement, refer to the <i>Intel MAX 10 User Flash Memory User Guide</i>.</p> |

Related Information

[Intel MAX 10 User Flash Memory User Guide](#)

Intel MAX 10 (Dual Supply) FPGA

Note: Intel recommends that you create an Intel Quartus Prime design, enter your device I/O assignments, and compile the design. The Intel Quartus Prime software will check your pin connections according to I/O assignment and placement rules. The rules differ from one device to another based on device density, package, I/O assignments, voltage assignments, and other factors that are not fully described in this document or the device handbook.

Table 8. Intel MAX 10 (Dual Supply) FPGA

| Pin Name | Pin Functions | Pin Description | Connection Guidelines |
|----------|---------------|--|---|
| VCC | Power | Power supply pin for core and periphery. | Connect all VCC pins to 1.2-V power supply. |

continued...





| Pin Name | Pin Functions | Pin Description | Connection Guidelines |
|------------|---------------|---|--|
| | | | Decoupling of these pins depends on the design decoupling requirements of the specific board. See Note 4. |
| VCCIO[#] | Power | I/O supply voltage pins for banks 1 through 8. Each bank supports different voltage level. The VCCIO pin supplies power to the input and output buffers for all I/O standards. The VCCIO pin powers up the JTAG and configuration pins. | <p>Connect these pins to 1.0-, 1.2-, 1.35-, 1.5-, 1.8-, 2.5-, 3.0-, or 3.3-V power supplies, depending on the I/O standard assigned to each I/O bank.</p> <p><i>Note:</i> The 1.0-V VCCIO is not supported on I/O banks 1B and 8. For dual-supply device option, the 1.0-V VCCIO is only supported on the following devices: 10M16DCF484C8G, 10M16DAF484C8G, 10M25DCF484C8G, 10M25DAF484C8G, 10M40DCF484C8G, 10M40DAF484C8G, 10M50DCF484C8G, 10M50DAF484C8G.</p> <p>If you are migrating from other Intel MAX 10 devices to the 10M02 device, the VCCIO1A and VCCIO1B pins are shorted to the VCCIO1 pin of the 10M02 device.</p> <p>If you do not enable the ADC feature, you may connect VCCIO1A and VCCIO1B pins to different voltage levels, provided that the VREF pin is not used. If the VREF pin is used, you must connect the VCCIO1A and VCCIO1B pins to the same voltage level.</p> <p>If you enable the ADC feature, connect VCCIO1A and VCCIO1B to 2.5 V.</p> <p>The power supply sharing between VCCIO1A and VCCIO1B pins requires filtering to isolate the noise. The filter should be located near to VCCIO1A pins. Only 10M02 devices do not require filtering if VCCIO1A and VCCIO1B share the same power supply. When the ADC feature is enabled, filter is required.</p> <p>If you are migrating from the 10M08 or 10M16 device to the 10M02 device with ADC enabled, replace the filter with 0-Ω resistor in the 10M02 device.</p> <p>For details about the available VCCIO pins for each Intel MAX 10 device, refer to the respective device pinout file.</p> <p>Decoupling of these pins depends on the design decoupling requirements of the specific board. See Note 4.</p> |
| VCCA[1..4] | Power | Power supply pins for PLL analog block. | <p>Connect these pins to a 2.5 V power supply even if the PLL is not used. These pins must be powered up and powered down at the same time. Connect all VCCA pins together.</p> <p>VCCA power supply to the FPGA should be isolated for better jitter performance. See Notes 5 and 6.</p> |

continued...



| Pin Name | Pin Functions | Pin Description | Connection Guidelines |
|----------------|---------------|--|---|
| | | | For more information about the UFM and CFM power-down requirement, refer to the <i>Intel MAX 10 User Flash Memory User Guide</i> . |
| VCCD_PLL[1..4] | Power | Power supply pins for PLL digital block. | Connect VCCD_PLL[1..4] pins to 1.2 V power supply even if the PLL is not used. Connect all VCCD_PLL[1..4] pins together. Intel recommends you to keep these pins isolated from other VCC pins for better jitter performance. See Notes 5 and 7. |
| VCCA_ADC | Power | Power supply pin for ADC analog block. | Connect the VCCA_ADC pin to the recommended power supply specification for the best ADC performance. Tie the VCCA_ADC pin to any 2.5 V power domain if you are not using ADC, and do not tie the VCCA_ADC pin to GND. Decoupling of these pins depends on the design decoupling requirements of the specific board. See Note 4. |
| VCCINT | Power | Power supply pin for ADC digital block. | Connect the VCCINT pin to the recommended power supply specification for the best ADC performance. Tie the VCCINT pin to any 1.2 V power domain if you are not using ADC. Decoupling of these pins depends on the design decoupling requirements of the specific board. See Note 4. |

Related Information

[Intel MAX 10 User Flash Memory User Guide](#)

Notes to the Intel MAX 10 FPGA Pin Connection Guidelines

Note: Intel recommends that you create an Intel Quartus Prime design, enter your device I/O assignments, and compile the design. The Intel Quartus Prime software will check your pin connections according to I/O assignment and placement rules. The rules differ from one device to another based on device density, package, I/O assignments, voltage assignments, and other factors that are not fully described in this document or the device handbook.





Intel provides these guidelines only as recommendations. It is the responsibility of the designer to apply simulation results to the design to verify proper device functionality.

1. These pin connection guidelines are created based on the Intel MAX 10 FPGA device family.
2. The number of dedicated global clocks for each device density is different.
3. The unused pins must be connected as specified in the Intel Quartus Prime software settings. The default Intel Quartus Prime setting for unused pins is 'As inputs tri-stated with weak pull-up resistors', unless for specific pins that the Intel Quartus Prime software connects them to GND automatically.
4. Capacitance values for the power supply decoupling capacitors should be selected after consideration of the amount of power needed to supply over the frequency of operation of the particular circuit being decoupled. A target impedance for the power plane should be calculated based on current draw and voltage drop requirements of the device/supply. The power plane should then be decoupled using the appropriate number of capacitors. On-board capacitors do not decouple higher than 100 MHz due to "Equivalent Series Inductance" of the mounting of the packages. Proper board design techniques such as interplane capacitance with low inductance should be considered for higher frequency decoupling. To assist in decoupling analysis, Intel's "Power Distribution Network (PDN) Design Tool" serves as an excellent decoupling analysis tool. The PDN design tool can be obtained at Power Distribution Network Design Tool.

Table 9. Transient Current and Voltage Ripple for Intel MAX 10 Devices

To calculate the target impedance of each Intel MAX 10 device supply, you should use the following transient current and voltage ripple percentages. Setting F_{target} to 70 MHz or higher should result in a robust PDN.

| Intel MAX 10 Supply Rail | Transient Current (%) | Voltage Ripple (%) |
|--------------------------|-----------------------|--------------------|
| VCC | 50 | 5 |
| VCCIO | 100 | 5 |
| VCCA | 10 | 5 |
| VCCD_PLL | 10 | 3 |
| VCCA_ADC | 50 | 2 |
| VCCINT | 50 | 3 |

5. Use separate power islands for VCCA and VCCD_PLL. PLL power supply may originate from another plane on the board but must be isolated using a ferrite bead or other equivalent methods. If using a ferrite bead, choose an 0402 package with low DC resistance, higher current rating than the maximum steady state current for the supply it is connected to (VCCA or VCCD_PLL) and high impedance at 100 MHz.



6. The VCCA power island can be decoupled with a combination of decoupling capacitors. Please refer to the Power Distribution Network Design Tool to determine the decoupling capacitors value. Use 0402 package for 0.1 uF and smaller capacitors for lower mounting inductance. Place 0.1 uF and smaller capacitors as close to the device as possible. On-board capacitors do not decouple higher than 100 MHz due to “Equivalent Series Inductance” of the mounting of the packages. Proper board design techniques such as interplane capacitance with low inductance should be considered for higher frequency decoupling. To minimize impact on jitter, a 20 mV ripple voltage was used in the analysis for VCCA decoupling.
7. The VCCD_PLL power island can be decoupled with a combination of decoupling capacitors. Please refer to the “Power Distribution Network Design Tool” at Power Distribution Network Design Tool to determine the decoupling capacitors value. Place 0.1 uF and smaller capacitors as close to the device as possible. On-board capacitors do not decouple higher than 100 MHz due to “Equivalent Series Inductance” of the mounting of the packages. Proper board design techniques such as interplane capacitance with low inductance should be considered for higher frequency decoupling. To minimize impact on jitter, a 20 mV ripple voltage was used in the analysis for VCCD_PLL decoupling.
8. All configuration pins used in user mode are low-speed I/Os.
9. Low Noise Switching Regulator - defined as a switching regulator circuit encapsulated in a thin surface mount package containing the switch controller, power FETs, inductor, and other support components. The switching frequency is usually between 800kHz and 1MHz and has fast transient response. The switching frequency range is not an Intel requirement. However, Intel does require the Line Regulation and Load Regulation meet the following specifications:
 - Line Regulation < 0.4%
 - Load Regulation < 1.2%
10. If you enable the **Configure device from CFM0 only** option in the Intel Quartus Prime software when generating the POF file, the FPGA will always load the configuration image 0 without sampling the physical CONFIG_SEL pin during power up.

Power Supply Sharing Guidelines for Intel MAX 10 FPGA Devices

Example 1—Intel MAX 10 (Dual Supply) FPGA

Note: Intel recommends that you create an Intel Quartus Prime design, enter your device I/O assignments, and compile the design. The Intel Quartus Prime software will check your pin connections according to I/O assignment and placement rules. The rules differ from one device to another based on device density, package, I/O assignments, voltage assignments, and other factors that are not fully described in this document or the device handbook.



Table 10. Power Supply Sharing Guidelines for Intel MAX 10 (Dual Supply) FPGA – The ADC Feature is Not Used

Example Requiring 3 Power Regulators

| Power Pin Name | Regulator Group | Voltage Level (V) | Supply Tolerance | Power Source | Regulator Sharing | Notes |
|----------------|-----------------|-------------------|------------------|--------------|-------------------|---|
| VCC | 1 | 1.2 | ± 50mV | Switcher (*) | Share | You have the option to share VCCINT and VCCD_PLL with VCC using proper isolation filters. |
| VCCINT | | | | | Isolate | |
| VCCD_PLL | | | | | Isolate | |
| VCCA | 2 | 2.5 | ± 5% | Switcher (*) | Share | You have the option to share VCCA_ADC with VCCA. |
| VCCA_ADC | | | | | | |
| VCCIO | 3 | Varies | ± 5% | Switcher (*) | Share | Individual power rail. |

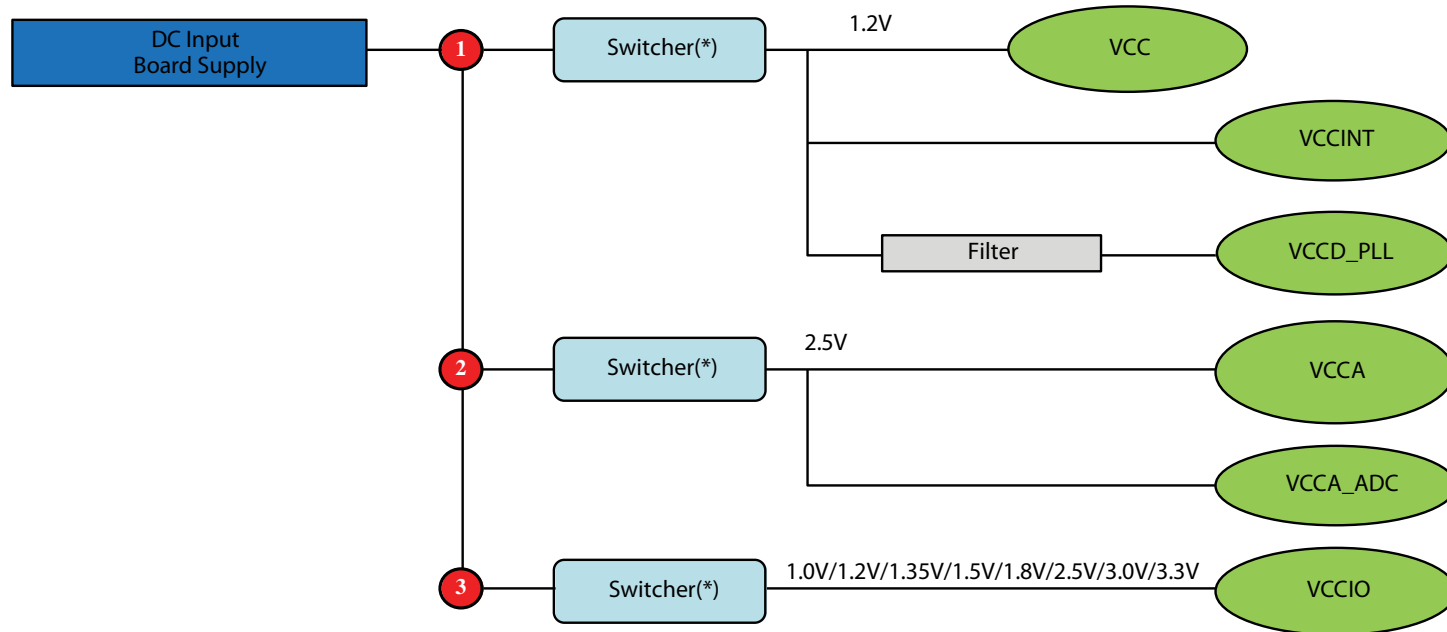
(*)When using a switcher to supply these voltages, the switcher must be a low noise switcher as defined in note 9 of the *Notes to the Intel MAX 10 FPGA Pin Connection Guidelines*.

Notes:

1. Use the EPE (Early Power Estimation) tool to assist in determining the power required for your specific design.
2. Each board design requires its own power analysis to determine the required power regulators needed to satisfy the specific board design requirements. An example block diagram using the Intel MAX 10 FPGA device is provided in Figure 1.
3. The Intel MAX 10 performance is guaranteed with the recommended Enpirion power solutions. For a list of recommended Enpirion solutions for Intel MAX 10 devices, refer to the *Early Power Estimators (EPE) and Power Analyzer* page. The recommended Enpirion solutions are included in the summary report. For more details about the Enpirion power solutions, refer to the *Enpirion Power* page.
4. For LPDDR2 interface targeting 200MHz, you need to constraint the memory device I/O and core power supply to ± 3% variation.
5. Refer to the *Intel MAX 10 FPGA Configuration User Guide* for maximum ramp rate requirement.



Figure 1. Example Power Supply Sharing Guidelines for Intel MAX 10 (Dual Supply) FPGA – The ADC Feature is Not Used



The ADC power supply requires 0.1uF decoupling cap near the package and ferrite bead filter at power supply.

(*) When using a switcher to supply these voltages, the switcher must be a low noise switcher as defined in *note 9* of the Notes to the Intel MAX 10 FPGA Pin Connection Guidelines.

Example 2—Intel MAX 10 (Dual Supply) FPGA

Note: Intel recommends that you create an Intel Quartus Prime design, enter your device I/O assignments, and compile the design. The Intel Quartus Prime software will check your pin connections according to I/O assignment and placement rules. The rules differ from one device to another based on device density, package, I/O assignments, voltage assignments, and other factors that are not fully described in this document or the device handbook.



Table 11. Power Supply Sharing Guidelines for Intel MAX 10 (Dual Supply) FPGA – Using the ADC Feature and VCCIO[2..8] Pins are Powered Up at 2.5V

Example Requiring 3 Power Regulators

| Power Pin Name | Regulator Count | Voltage Level (V) | Supply Tolerance | Power Source | Regulator Sharing | Notes |
|----------------|-----------------|-------------------|------------------|--------------|-------------------|--|
| VCC | 1 | 1.2 | ± 50mV | Switcher (*) | Share | You have the option to share VCCINT and VCCD_PLL with VCC with proper isolation filters. |
| VCCINT | | | | | Isolate | |
| VCCD_PLL | | | | | Isolate | |
| VCCA | 2 | 2.5 | ± 5% | Switcher (*) | Share | You have the option to share VCCA_ADC with VCCA with proper isolation filters. |
| VCCA_ADC | | | | | Isolate | |
| VCCIO1B | 3 | 2.5 | ± 5% | Switcher (*) | Share | You have the option to share VCCIO1B and VCCIO[2..8] when these pins are powered up at 2.5V. |
| VCCIO[2..8] | | | | | | |
| VCCIO1A | | | | | Isolate | You have the option to share VCCIO1A with VCCIO1B and VCCIO[2..8] using proper isolation filter. |

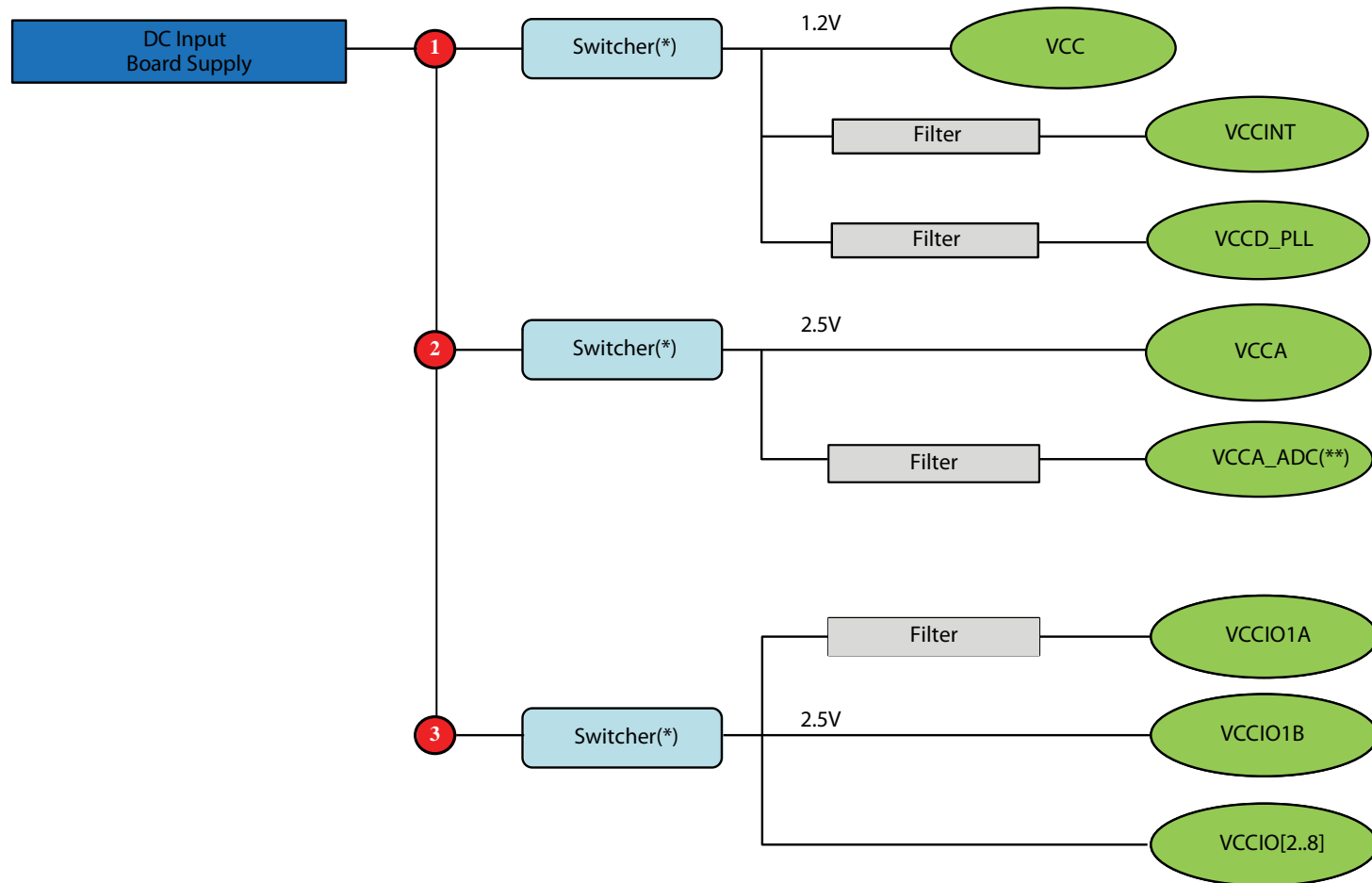
(*)When using a switcher to supply these voltages, the switcher must be a low noise switcher as defined in note 9 of the *Notes to the Intel MAX 10 FPGA Pin Connection Guidelines*.

Notes:

1. Use the EPE (Early Power Estimation) tool to assist in determining the power required for your specific design.
2. Each board design requires its own power analysis to determine the required power regulators needed to satisfy the specific board design requirements. An example block diagram using the Intel MAX 10 FPGA device is provided in Figure 2.
3. The Intel MAX 10 performance is guaranteed with the recommended Enpirion power solutions. For a list of recommended Enpirion solutions for Intel MAX 10 devices, refer to the *Early Power Estimators (EPE) and Power Analyzer* page. The recommended Enpirion solutions are included in the summary report. For more details about the Enpirion power solutions, refer to the *Enpirion Power* page.
4. For LPDDR2 interface targeting 200MHz, you need to constraint the memory device I/O and core power supply to ± 3% variation.
5. Refer to the *Intel MAX 10 FPGA Configuration User Guide* for maximum ramp rate requirement.



Figure 2. Example Power Supply Sharing Guidelines for Intel MAX 10 (Dual Supply) FPGA – Using the ADC Feature and VCCIO[2..8] Pins are Powered Up at 2.5V



The ADC power supply requires 0.1uF decoupling cap near the package and ferrite bead filter at power supply.

(*) When using a switcher to supply these voltages, the switcher must be a low noise switcher as defined in *note 9* of the Notes to the Intel MAX 10 FPGA Pin Connection Guidelines.

(**) Ferrite beads should be connected in series followed by a 10uF capacitor to ground. Place the decoupling of 0.1uF cap closer to the pin.



Example 3—Intel MAX 10 (Dual Supply) FPGA

Note: Intel recommends that you create an Intel Quartus Prime design, enter your device I/O assignments, and compile the design. The Intel Quartus Prime software will check your pin connections according to I/O assignment and placement rules. The rules differ from one device to another based on device density, package, I/O assignments, voltage assignments, and other factors that are not fully described in this document or the device handbook.

Table 12. Power Supply Sharing Guidelines for Intel MAX 10 (Dual Supply) FPGA – Using the ADC Feature and VCCIO[2..8] Pins are Powered Up at 1.0V/1.2V/1.35V/1.5V/1.8V/2.5V/3.0V/3.3V

Example Requiring 4 Power Regulators

| Power Pin Name | Regulator Count | Voltage Level (V) | Supply Tolerance | Power Source | Regulator Sharing | Notes |
|----------------|-----------------|-------------------|------------------|--------------|-------------------|---|
| VCC | 1 | 1.2 | ± 50mV | Switcher (*) | Share | You have the option to share VCCINT and VCCD_PLL with VCC using proper isolation filters. |
| VCCINT | | | | | Isolate | |
| VCCD_PLL | | | | | Isolate | |
| VCCA | 2 | 2.5 | ± 5% | Switcher (*) | Share | You have the option to share VCCA_ADC with VCCA using proper isolation filters. |
| VCCA_ADC | | | | | Isolate | |
| VCCIO1B | 3 | 2.5 | ± 5% | Switcher (*) | Share | You have the option to share VCCIO1A with VCCIO1B using proper isolation filter. |
| VCCIO1A | | | | | Isolate | |
| VCCIO[2..8] | 4 | Varies | ± 5% | Switcher (*) | Share | Individual power rail. |

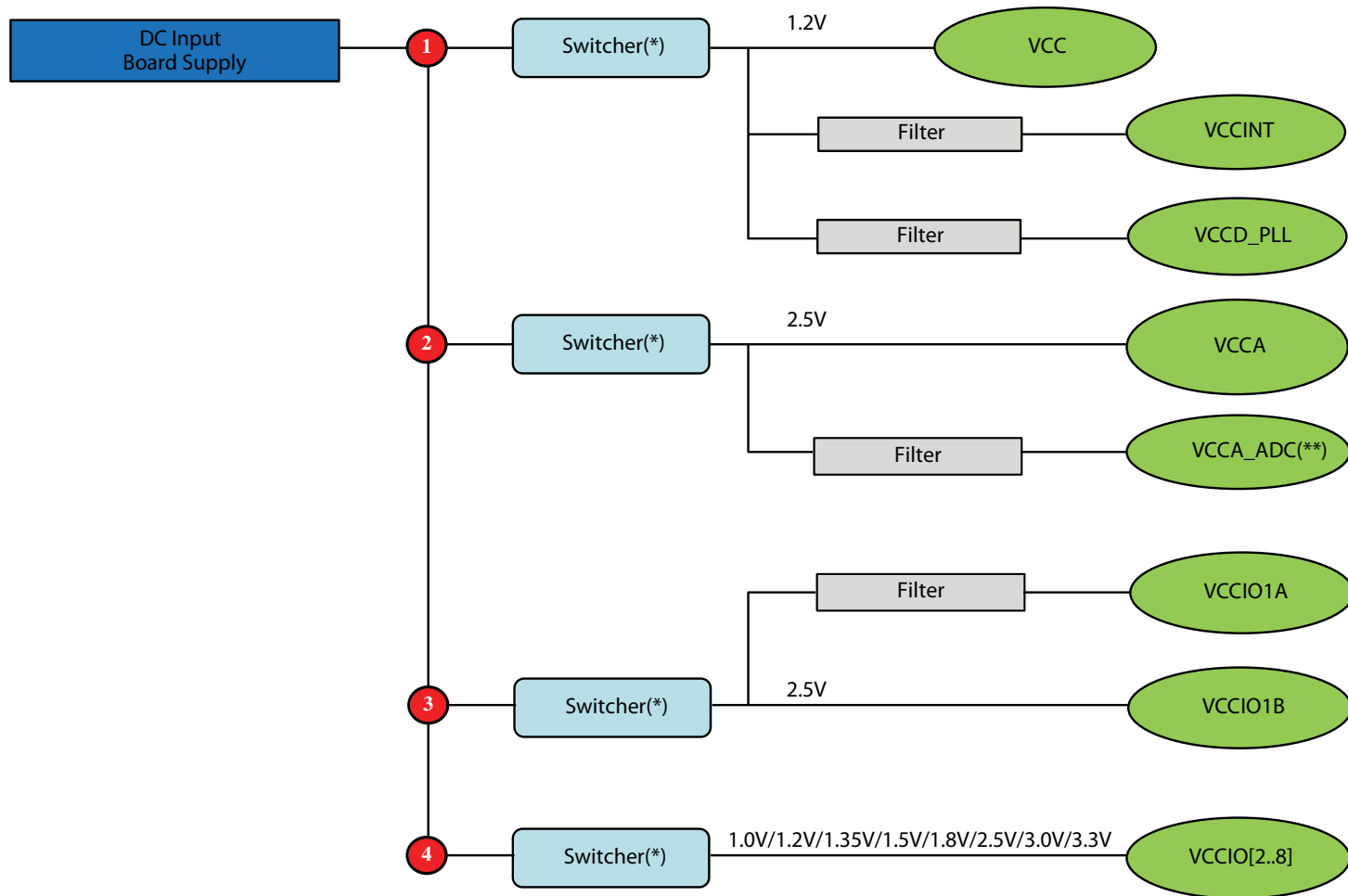
(*)When using a switcher to supply these voltages, the switcher must be a low noise switcher as defined in note 9 of the Notes to the *Intel MAX 10 FPGA Pin Connection Guidelines*.



Notes:

1. Use the EPE (Early Power Estimation) tool to assist in determining the power required for your specific design.
2. Each board design requires its own power analysis to determine the required power regulators needed to satisfy the specific board design requirements. An example block diagram using the Intel MAX 10 FPGA device is provided in Figure 3.
3. The Intel MAX 10 performance is guaranteed with the recommended Enpirion power solutions. For a list of recommended Enpirion solutions for Intel MAX 10 devices, refer to the *Early Power Estimators (EPE) and Power Analyzer* page. The recommended Enpirion solutions are included in the summary report. For more details about the Enpirion power solutions, refer to the *Enpirion Power* page.
4. For LPDDR2 interface targeting 200MHz, you need to constraint the memory device I/O and core power supply to $\pm 3\%$ variation.
5. Refer to the *Intel MAX 10 FPGA Configuration User Guide* for maximum ramp rate requirement.

Figure 3. Example Power Supply Sharing Guidelines for Intel MAX 10 (Dual Supply) FPGA – Using the ADC Feature and VCCIO[2..8] Pins are Powered Up at 1.0V/1.2V/1.35V/1.5V/1.8V/2.5V/3.0V/3.3V



The ADC power supply requires 0.1uF decoupling cap near the package and ferrite bead filter at power supply.

(*) When using a switcher to supply these voltages, the switcher must be a low noise switcher as defined in *note 9* of the Notes to the Intel MAX 10 FPGA Pin Connection Guidelines.

(**) Ferrite beads should be connected in series followed by a 10uF capacitor to ground. Place the decoupling of 0.1uF cap closer to the pin.



Example 4—Intel MAX 10 (Single Supply) FPGA

Note: Intel recommends that you create an Intel Quartus Prime design, enter your device I/O assignments, and compile the design. The Intel Quartus Prime software will check your pin connections according to I/O assignment and placement rules. The rules differ from one device to another based on device density, package, I/O assignments, voltage assignments, and other factors that are not fully described in this document or the device handbook.

Table 13. Power Supply Sharing Guidelines for Intel MAX 10 (Single Supply) FPGA (E144, M153, U169, and U324 Packages) – The ADC Feature is Not Used

Example Requiring 2 Power Regulator

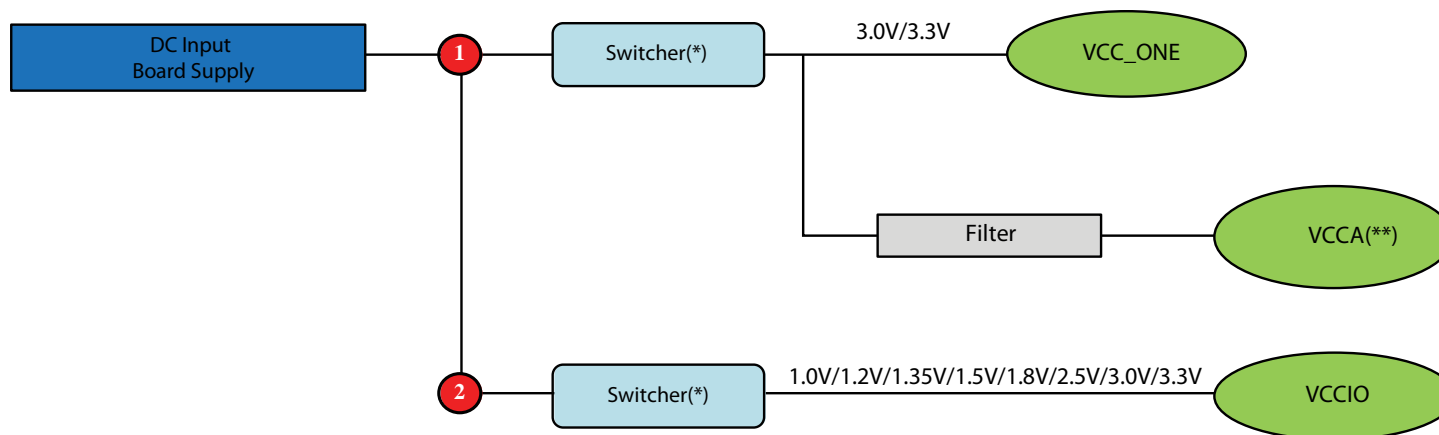
| Power Pin Name | Regulator Count | Voltage Level (V) | Supply Tolerance | Power Source | Regulator Sharing | Notes |
|----------------|-----------------|-------------------|------------------|--------------|-------------------|---|
| VCC_ONE | 1 | 3.0/3.3 | ± 5% | Switcher (*) | Share | Both VCCA and VCC_ONE must share a single power source using proper isolation filter. |
| VCCA | | | | | Isolate | |
| VCCIO | 2 | Varies | ± 5% | Switcher (*) | Share | Individual power rail. |

(*)When using a switcher to supply these voltages, the switcher must be a low noise switcher as defined in note 9 of the *Notes to the Intel MAX 10 FPGA Pin Connection Guidelines*.

Notes:

1. Use the EPE (Early Power Estimation) tool to assist in determining the power required for your specific design.
2. Each board design requires its own power analysis to determine the required power regulators needed to satisfy the specific board design requirements. An example block diagram using the Intel MAX 10 FPGA device is provided in Figure 4.
3. The Intel MAX 10 performance is guaranteed with the recommended Enpirion power solutions. For a list of recommended Enpirion solutions for Intel MAX 10 devices, refer to the *Early Power Estimators (EPE) and Power Analyzer* page. The recommended Enpirion solutions are included in the summary report. For more details about the Enpirion power solutions, refer to the *Enpirion Power* page.
4. Refer to the *Intel MAX 10 FPGA Configuration User Guide* for maximum ramp rate requirement.

Figure 4. Example Power Supply Sharing Guidelines for Intel MAX 10 (Single Supply) FPGA (E144, M153, U169, and U324 Packages) – The ADC Feature is Not Used



(*) When using a switcher to supply these voltages, the switcher must be a low noise switcher as defined in *note 9* of the Notes to the Intel MAX 10 FPGA Pin Connection Guidelines.

(**) The VCCA power supply requires ferrite bead filter for noise isolation.

Example 5—Intel MAX 10 (Single Supply) FPGA

Note: Intel recommends that you create an Intel Quartus Prime design, enter your device I/O assignments, and compile the design. The Intel Quartus Prime software will check your pin connections according to I/O assignment and placement rules. The rules differ from one device to another based on device density, package, I/O assignments, voltage assignments, and other factors that are not fully described in this document or the device handbook.

Table 14. Power Supply Sharing Guidelines for Intel MAX 10 (Single Supply) FPGA – Using the ADC Feature and VCCIO[2..8] Pins are Powered Up 3.0V/3.3V (E144, M153, U169, and U324 Packages)

Example Requiring 2 Power Regulator

| Power Pin Name | Regulator Count | Voltage Level (V) | Supply Tolerance | Power Source | Regulator Sharing | Notes |
|----------------|-----------------|-------------------|------------------|--------------|-------------------|---|
| VCC_ONE | 1 | 3.0/3.3 | ± 5% | Switcher (*) | Share | Both VCCA and VCC_ONE must share a single power source using proper isolation filter. |
| VCCA | | | | | Isolate | |

continued...



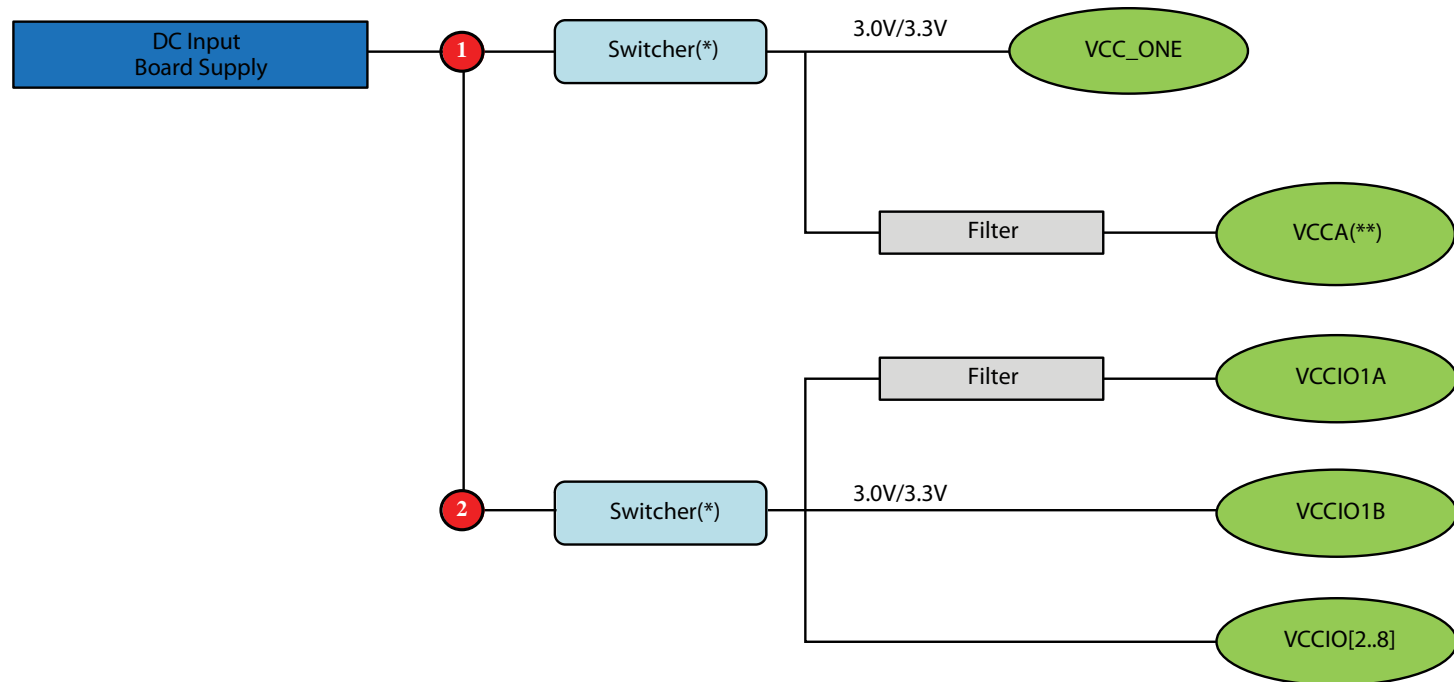
| Power Pin Name | Regulator Count | Voltage Level (V) | Supply Tolerance | Power Source | Regulator Sharing | Notes |
|----------------|-----------------|-------------------|------------------|--------------|-------------------|---|
| VCCIO1B | 2 | 3.0/3.3 | ± 5% | Switcher (*) | Share | You have the option to share VCCIO1B and VCCIO[2..8] when these pins are powered up at 3.0V/3.3V. |
| VCCIO[2..8] | | | | | | |
| VCCIO1A | | | | | Isolate | You have the option to share VCCIO1A with VCCIO1B and VCCIO[2..8] using proper isolation filter. |

(*)When using a switcher to supply these voltages, the switcher must be a low noise switcher as defined in note 9 of the *Notes to the Intel MAX 10 FPGA Pin Connection Guidelines*.

Notes:

1. Use the EPE (Early Power Estimation) tool to assist in determining the power required for your specific design.
2. Each board design requires its own power analysis to determine the required power regulators needed to satisfy the specific board design requirements. An example block diagram using the Intel MAX 10 FPGA device is provided in Figure 5.
3. The Intel MAX 10 performance is guaranteed with the recommended Enpirion power solutions. For a list of recommended Enpirion solutions for Intel MAX 10 devices, refer to the *Early Power Estimators (EPE) and Power Analyzer* page. The recommended Enpirion solutions are included in the summary report. For more details about the Enpirion power solutions, refer to the *Enpirion Power* page.
4. Refer to the *Intel MAX 10 FPGA Configuration User Guide* for maximum ramp rate requirement.

Figure 5. Example Power Supply Sharing Guidelines for Intel MAX 10 (Single Supply) FPGA – Using the ADC Feature and VCCIO[2..8] Pins are Powered Up 3.0V/3.3V (E144, M153, U169, and U324 Packages)



(*) When using a switcher to supply these voltages, the switcher must be a low noise switcher as defined in *note 9* of the Notes to the Intel MAX 10 FPGA Pin Connection Guidelines.

(**) The VCCA power supply requires ferrite bead filter for noise isolation.

Example 6—Intel MAX 10 (Single Supply) FPGA

Note: Intel recommends that you create an Intel Quartus Prime design, enter your device I/O assignments, and compile the design. The Intel Quartus Prime software will check your pin connections according to I/O assignment and placement rules. The rules differ from one device to another based on device density, package, I/O assignments, voltage assignments, and other factors that are not fully described in this document or the device handbook.



Table 15. Power Supply Sharing Guidelines for Intel MAX 10 (Single Supply) FPGA – Using the ADC Feature and VCCIO[2..8] Pins are Powered Up 1.0V/1.2V/1.35V/1.5V/1.8V/2.5V (E144, M153, U169, and U324 Packages)

Example Requiring 3 Power Regulator

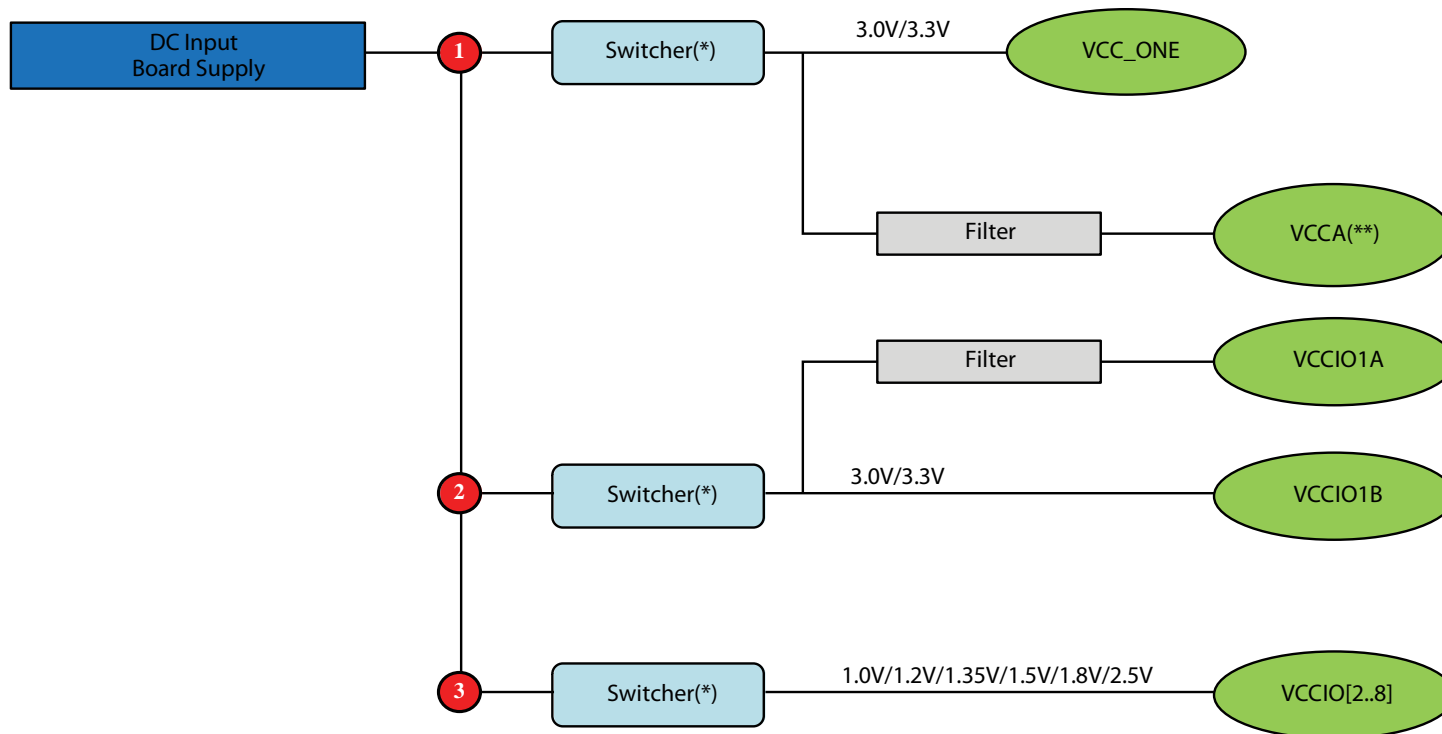
| Power Pin Name | Regulator Count | Voltage Level (V) | Supply Tolerance | Power Source | Regulator Sharing | Notes |
|----------------|-----------------|-------------------|------------------|--------------|-------------------|---|
| VCC_ONE | 1 | 3.0/3.3 | ± 5% | Switcher (*) | Share | Both VCCA and VCC_ONE must share a single power source using proper isolation filter. |
| VCCA | | | | | Isolate | |
| VCCIO1B | 2 | 3.0/3.3 | ± 5% | Switcher (*) | Share | You have the option to share VCCIO1A with VCCIO1B using proper isolation filter. |
| VCCIO1A | | | | | Isolate | |
| VCCIO[2..8] | 3 | Varies | ± 5% | Switcher (*) | Share | Individual power rail. |

(*)When using a switcher to supply these voltages, the switcher must be a low noise switcher as defined in note 9 of the *Notes to the Intel MAX 10 FPGA Pin Connection Guidelines*.

Notes:

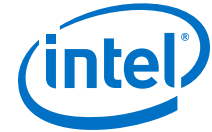
1. Use the EPE (Early Power Estimation) tool to assist in determining the power required for your specific design.
2. Each board design requires its own power analysis to determine the required power regulators needed to satisfy the specific board design requirements. An example block diagram using the Intel MAX 10 FPGA device is provided in Figure 6.
3. The Intel MAX 10 performance is guaranteed with the recommended Enpirion power solutions. For a list of recommended Enpirion solutions for Intel MAX 10 devices, refer to the *Early Power Estimators (EPE) and Power Analyzer* page. The recommended Enpirion solutions are included in the summary report. For more details about the Enpirion power solutions, refer to the *Enpirion Power* page.
4. Refer to the *Intel MAX 10 FPGA Configuration User Guide* for maximum ramp rate requirement.

Figure 6. Example Power Supply Sharing Guidelines for Intel MAX 10 (Single Supply) FPGA – Using the ADC Feature and VCCIO[2..8] Pins are Powered Up 1.0V/1.2V/1.35V/1.5V/1.8V/2.5V (E144, M153, U169, and U324 Packages)



(*) When using a switcher to supply these voltages, the switcher must be a low noise switcher as defined in *note 9* of the Notes to the Intel MAX 10 FPGA Pin Connection Guidelines.

(**) The VCCA power supply requires ferrite bead filter for noise isolation.



Document Revision History for Intel MAX 10 FPGA Device Family Pin Connection Guidelines

| Document Version | Changes |
|------------------|---|
| 2020.06.30 | <ul style="list-style-type: none"> Added the 1.0-V support to the VCCIO[#] pins for the <i>Intel MAX 10 (Single Supply) FPGA</i> and <i>Intel MAX 10 (Dual Supply) FPGA</i>. Added 1.0-V support to the VCCIO power supplies in the following power supply sharing guidelines: <ul style="list-style-type: none"> Example Power Supply Sharing Guidelines for Intel MAX 10 (Dual Supply) FPGA – The ADC Feature is Not Used Example Power Supply Sharing Guidelines for Intel MAX 10 (Dual Supply) FPGA – Using the ADC Feature and VCCIO[2..8] Pins are Powered Up at 1.0V/1.2V/1.35V/1.5V/1.8V/2.5V/3.0V/3.3V Example Power Supply Sharing Guidelines for Intel MAX 10 (Single Supply) FPGA (E144, M153, U169, and U324 Packages) – The ADC Feature is Not Used Example Power Supply Sharing Guidelines for Intel MAX 10 (Single Supply) FPGA – Using the ADC Feature and VCCIO[2..8] Pins are Powered Up 1.0V/1.2V/1.35V/1.5V/1.8V/2.5V (E144, M153, U169, and U324 Packages) |
| 2019.07.01 | <ul style="list-style-type: none"> Updated the connection guidelines about how to enable the ADC feature in the VCCIO[#] pin of the <i>Intel MAX 10 (Single Supply) FPGA</i> table. Updated the connection guidelines of the DEV_CLRn and DEV_OE pins. |
| 2019.02.20 | Updated the connection guidelines of the DEV_CLRn and DEV_OE pins. |
| 2019.01.29 | <ul style="list-style-type: none"> Updated the connection guidelines of the CONFIG_SEL pin. Updated note 10 in the <i>Notes to the Intel MAX 10 FPGA Pin Connection Guidelines</i> section. |

| Date | Version | Description of Changes |
|---------------------|------------|---|
| December 2017 | 2017.12.15 | <ul style="list-style-type: none"> Added the support for the U324 package. Added a reference for the UFM and CFM power-down requirement to the VCCA[1..6] pins for the Intel MAX 10 (Single Supply) FPGA and VCCA[1..4] pins for the Intel MAX 10 (Dual Supply) FPGA. Added a note to provide references for each PLL clock output of the PLL_[L,R,B,T]_CLKOUTp and PLL_[L,R,B,T]_CLKOUTn pins. Updated the voltage overshoot connection guidelines for the TCK, TDO, TDI, and TMS pins. Updated the Voltage Sensor Pins section to Analog Input Pins. Removed PowerPlay text from tool name. |
| June 2017 | 2017.06.16 | Updated the connection guidelines of the JTAGEN pin. |
| February 2017 | 2017.02.21 | <ul style="list-style-type: none"> Rebranded as Intel. |
| December 2016 | 2016.12.09 | <ul style="list-style-type: none"> Updated the connection guidelines of the TDI and TMS pins. |
| <i>continued...</i> | | |



| Date | Version | Description of Changes |
|---------------|------------|--|
| May 2016 | 2016.05.02 | <ul style="list-style-type: none"> • Added note (5) to the following power sharing guidelines: <ul style="list-style-type: none"> – Example 1. Power Supply Sharing Guidelines for MAX 10D (Dual Supply) FPGA – The ADC Feature is Not Used – Example 2. Power Supply Sharing Guidelines for MAX 10D (Dual Supply) FPGA – Using the ADC Feature and VCCIO[2..8] Pins are Powered Up at 2.5V – Example 3. Power Supply Sharing Guidelines for MAX 10D (Dual Supply) FPGA – Using the ADC Feature and VCCIO[2..8] Pins are Powered Up at 1.2V/1.35V/1.5V/1.8V/3.0V/3.3V • Added note (4) to the following power sharing guidelines: <ul style="list-style-type: none"> – Example 4. Power Supply Sharing Guidelines for MAX 10S (Single Supply) FPGA (E144, M153, and U169 Packages) – The ADC Feature is Not Used – Example 5. Power Supply Sharing Guidelines for MAX 10S (Single Supply) FPGA – Using the ADC Feature and VCCIO[2..8] Pins are Powered Up 3.0V/3.3V – Example 6. Power Supply Sharing Guidelines for MAX 10S (Single Supply) FPGA – Using the ADC Feature and VCCIO[2..8] Pins are Powered Up 1.2V/1.35V/1.5V/1.8V/2.5V • Updated CONF_DONE should pulled up to VCCIO Bank 8. • Removed Note 3 “The voltage level for each power rail is preliminary.” from the following power sharing guidelines: <ul style="list-style-type: none"> – Example 1. Power Supply Sharing Guidelines for MAX 10D (Dual Supply) FPGA – The ADC Feature is Not Used – Example 2. Power Supply Sharing Guidelines for MAX 10D (Dual Supply) FPGA – Using the ADC Feature and VCCIO[2..8] Pins are Powered Up at 2.5V – Example 3. Power Supply Sharing Guidelines for MAX 10D (Dual Supply) FPGA – Using the ADC Feature and VCCIO[2..8] Pins are Powered Up at 1.2V/1.35V/1.5V/1.8V/3.0V/3.3V – Example 4. Power Supply Sharing Guidelines for MAX 10S (Single Supply) FPGA (E144, M153, and U169 Packages) – The ADC Feature is Not Used – Example 5. Power Supply Sharing Guidelines for MAX 10S (Single Supply) FPGA – Using the ADC Feature and VCCIO[2..8] Pins are Powered Up 3.0V/3.3V (E144, M153, and U169 Packages) – Example 6. Power Supply Sharing Guidelines for MAX 10S (Single Supply) FPGA – Using the ADC Feature and VCCIO[2..8] Pins are Powered Up 1.2V/1.35V/1.5V/1.8V/2.5V (E144, M153, and U169 Packages) |
| November 2015 | 2015.11.02 | <ul style="list-style-type: none"> • Changed instances of Quartus II to Quartus Prime. • Updated the connection guidelines of the VCCIO[#] pins. • Updated the connection guidelines of the TDI and TMS pins. |
| June 2015 | 2015.06.12 | Added the DNU pin. |

continued...



| Date | Version | Description of Changes |
|----------------|------------|---|
| May 2015 | 2015.05.06 | <ul style="list-style-type: none"> • Added the following power sharing guidelines: <ul style="list-style-type: none"> — Example 2. Power Supply Sharing Guidelines for MAX 10D (Dual Supply) FPGA – Using the ADC Feature and VCCIO[2..8] Pins are Powered Up at 2.5V — Example 3. Power Supply Sharing Guidelines for MAX 10D (Dual Supply) FPGA – Using the ADC Feature and VCCIO[2..8] Pins are Powered Up at 1.2V/1.35V/1.5V/1.8V/3.0V/3.3V — Example 5. Power Supply Sharing Guidelines for MAX 10S (Single Supply) FPGA – Using the ADC Feature and VCCIO[2..8] Pins are Powered Up 3.0V/3.3V (E144, M153, and U169 Packages) — Example 6. Power Supply Sharing Guidelines for MAX 10S (Single Supply) FPGA – Using the ADC Feature and VCCIO[2..8] Pins are Powered Up 1.2V/1.35V/1.5V/1.8V/2.5V (E144, M153, and U169 Packages) • Updated the following power sharing guidelines: <ul style="list-style-type: none"> — Example 1. Power Supply Sharing Guidelines for MAX 10D (Dual Supply) FPGA – The ADC Feature is Not Used • Updated the pin description of the DPCLK[0..3] pins. • Updated the connection guidelines of the VCCIO[#] pins. • Updated the connection guidelines of the ADC[1..2]IN[1..16] pins. • Updated the connection guidelines of the ADC_VREF pin. |
| January 2015 | 2015.01.29 | <ul style="list-style-type: none"> • Updated the connection guidelines of the DPCLK[0..3] pins. • Updated the connection guidelines of the PLL_[L,R,B,T]_CLKOUTp and PLL_[L,R,B,T]_CLKOUTn pins. • Updated the connection guidelines of the VREFB<#>N0 pins. • Updated the pin description of the ADC[1..2]IN[1..16] pins. |
| December 2014 | 2014.12.15 | <ul style="list-style-type: none"> • Added note 10 in the Notes to Pin Connection Guidelines. • Added note (***) to Figure 2. • Updated the pin name from BOOT_SEL to CONFIG_SEL. • Updated the pin description of the CONFIG_SEL pin. • Updated the connection guidelines of the VCC_ONE pin. • Updated the connection guidelines of the nSTATUS pin. • Updated the connection guidelines of the CONF_DONE pin. • Updated note 4 in the Notes to Pin Connection Guidelines. |
| September 2014 | 2014.09.22 | Initial release. |