



Intel® Solid-State Drive 320 Series

Product Specification

- Form Factors: 1.8-inch and 2.5-inch
- Capacity:
 - 80/160/300 GB (1.8-inch)
 - 40/80/120/160/300/600 GB (2.5-inch)
- Components:
 - Intel® 25nm NAND Flash Memory
 - Multi-Level Cell (MLC)
- Bandwidth Performance¹ (Iometer* Queue Depth 32)
 - Sustained Sequential Read: Up to 270 MB/s
 - Sustained Sequential Write: Up to 220 MB/s
- Read and Write IOPS¹ (Iometer Queue Depth 32)
 - Random 4 KB² Reads: Up to 39,500 IOPS
 - Random 4 KB Writes: Up to 23,000 IOPS
- Latency (average sequential)
 - Read: 75 µs (TYP)
 - Write: 90 µs (TYP)
- AES 128-bit Encryption
- Compatibility
 - Intel® SSD Toolbox with Intel® SSD Optimizer
 - Intel® Data Migration Software
 - Intel® Rapid Storage Technology
 - Intel® 6 Series Express Chipsets (with SATA 6Gb/s)
 - SATA Revision 2.6
 - ATA8-ACS
 - SSD-enhanced SMART ATA feature set
 - Native Command Queuing (NCQ) command set
 - Data Set Management Command Trim attribute
- Power Management
 - 3.3 V (1.8-inch form factor) or 5 V (2.5-inch form factor) SATA Supply Rail
 - SATA Interface Power Management
 - OS-aware hot plug/removal
 - Enhanced power-loss data protection
- Power
 - Active (MobileMark* 2007 Workload): 150 mW (TYP)
 - Idle³: 100 mW (TYP)
- Temperature
 - Operating: 0° C to 70° C
 - Non-Operating: -55° C to 95° C
- Reliability
 - Uncorrectable Bit Error Rate (UBER): 1 sector per 10¹⁶ bits read
 - Mean Time Between Failures (MTBF): 1,200,000 hours
- Shock (operating and non-operating): 1,500 G/0.5 msec
- Vibration
 - Operating: 2.17 G_{RMS} (5-700 Hz)
 - Non-operating: 3.13 G_{RMS} (5-800 Hz)
- Weight
 - 1.8-inch form factor: Up to 49 grams
 - 2.5-inch 7mm form factor: Up to 82 grams
 - 2.5-inch 9.5mm form factor: Up to 88 grams
- Certifications and Declarations:
 - UL*
 - CE*
 - C-Tick*
 - BSMI*
 - KCC*
 - Microsoft* WHQL
 - VCCI*
 - SATA-IO*
- Product Ecological Compliance
 - RoHS*

1. Performance values vary by capacity.

2. 4 KB = 4,096 bytes.

3. Idle power measured with Device Initiated Power Management (DIPM) enabled.



Ordering Information

Contact your local Intel sales representative for ordering information.

INFORMATION IN THIS DOCUMENT IS PROVIDED IN CONNECTION WITH INTEL PRODUCTS. NO LICENSE, EXPRESS OR IMPLIED, BY ESTOPPEL OR OTHERWISE, TO ANY INTELLECTUAL PROPERTY RIGHTS IS GRANTED BY THIS DOCUMENT. EXCEPT AS PROVIDED IN INTEL'S TERMS AND CONDITIONS OF SALE FOR SUCH PRODUCTS, INTEL ASSUMES NO LIABILITY WHATSOEVER AND INTEL DISCLAIMS ANY EXPRESS OR IMPLIED WARRANTY, RELATING TO SALE AND/OR USE OF INTEL PRODUCTS INCLUDING LIABILITY OR WARRANTIES RELATING TO FITNESS FOR A PARTICULAR PURPOSE, MERCHANTABILITY, OR INFRINGEMENT OF ANY PATENT, COPYRIGHT OR OTHER INTELLECTUAL PROPERTY RIGHT.

UNLESS OTHERWISE AGREED IN WRITING BY INTEL, THE INTEL PRODUCTS ARE NOT DESIGNED NOR INTENDED FOR ANY APPLICATION IN WHICH THE FAILURE OF THE INTEL PRODUCT COULD CREATE A SITUATION WHERE PERSONAL INJURY OR DEATH MAY OCCUR.

Intel may make changes to specifications and product descriptions at any time, without notice. Designers must not rely on the absence or characteristics of any features or instructions marked "reserved" or "undefined." Intel reserves these for future definition and shall have no responsibility whatsoever for conflicts or incompatibilities arising from future changes to them. The information here is subject to change without notice. Do not finalize a design with this information.

The products described in this document may contain design defects or errors known as errata which may cause the product to deviate from published specifications. Current characterized errata are available on request.

Contact your local Intel sales office or your distributor to obtain the latest specifications and before placing your product order.

Copies of documents which have an order number and are referenced in this document, or other Intel literature, may be obtained by calling 1-800-548-4725, or go to: <http://www.intel.com/design/literature.htm>

Intel and the Intel logo are trademarks of Intel Corporation in the U.S. and other countries.

*Other names and brands may be claimed as the property of others.

Copyright © 2011 Intel Corporation. All rights reserved.



Contents

1.0 Overview	5
2.0 Product Specifications	6
2.1 Capacity	6
2.2 Performance	6
2.3 Electrical Characteristics	7
2.4 Environmental Conditions	7
2.5 Product Regulatory Compliance	8
2.6 Reliability	9
2.7 Hot Plug Support	9
3.0 Mechanical Information	10
3.1 1.8-inch Form Factor	10
3.2 2.5-inch Form Factors	11
4.0 Pin and Signal Descriptions	13
4.1 Pin Locations	13
4.1.1 1.8-inch Form Factor Pin Locations	13
4.1.2 2.5-inch Form Factor Pin Locations	13
4.2 Signal Descriptions	14
4.2.1 Connector Pin Signal Definitions	14
4.2.2 Power Pin Signal Definitions	14
5.0 Supported Command Sets	16
5.1 ATA General Feature Command Set	16
5.2 Power Management Command Set	16
5.3 Security Mode Feature Set	17
5.4 SMART Command Set	17
5.4.1 SMART Attributes	18
5.4.2 SMART Logs	20
5.5 Device Statistics	20
5.6 SMART Command Transport (SCT)	21
5.7 Data Set Management Command Set	21
5.8 Host Protected Area Command Set	21
5.9 48-Bit Address Command Set	22
5.10 Device Configuration Overlay Command Set	22
5.11 General Purpose Log Command Set	22
5.12 Native Command Queuing	22
5.13 Software Settings Preservation	22
5.14 Device Initiated Power Management (DIPM)	22
6.0 Certifications and Declarations	23
7.0 References	23
8.0 Terms and Acronyms	24
9.0 Revision History	25
A IDENTIFY DEVICE Command Data	26





1.0 Overview

This document describes the specifications and capabilities of the Intel® Solid-State Drive 320 Series (Intel® SSD 320 Series).

The Intel SSD 320 Series delivers leading performance for Serial Advanced Technology Attachment (SATA)-based computers in capacities up to 600 GB.

By combining Intel's leading 25nm NAND Flash Memory technology with SATA 3Gb/s interface support, the Intel SSD 320 Series delivers sequential read speeds of up to 270 MB/s and sequential write speeds of up to 220 MB/s.

The industry-standard 1.8-inch and 2.5-inch form factors enable interchangeability with existing hard disk drives (HDDs) and native SATA HDD drop-in replacement with the enhanced performance, reliability, ruggedness, and power savings offered by an SSD.

As compared to standard SATA HDDs, the Intel SSD 320 Series offers these key features:

- High I/O and throughput performance
- Low power
- Increased system responsiveness
- High reliability
- Enhanced ruggedness



2.0 Product Specifications

2.1 Capacity

Table 1. User Addressable Sectors

Intel SSD 320 Series	Unformatted Capacity (Total User Addressable Sectors in LBA Mode)
40 GB	78,165,360
80 GB	156,301,488
120 GB	234,441,648
160 GB	312,581,808
300 GB	586,072,368
600 GB	1,172,123,568

Notes: 1 GB = 1,000,000,000 bytes; 1 sector = 512 bytes.
 LBA count shown represents total user storage capacity and will remain the same throughout the life of the drive.
 The total usable capacity of the SSD may be less than the total physical capacity because a small portion of the capacity is used for NAND flash management and maintenance purposes.

2.2 Performance

Table 2. Random Read and Write Input/Output Operations Per Second (IOPS)

Specification ¹	Unit	Intel SSD 320 Series					
		40 GB	80 GB	120 GB	160 GB	300 GB	600 GB
Random 4 KB Read (up to)	IOPS	30,000	38,000	38,000	39,000	39,500	39,500
Random 4 KB Write (up to)	IOPS	3,700	10,000	14,000	21,000	23,000	23,000

Notes: 1. Performance measured using Iometer* with Queue Depth equal to 32. Measurements are performed on 8 GB of Logical Block Address (LBA) range. Write Cache enabled. 4 KB = 4,096 bytes.

Table 3. Maximum Sustained Sequential Read and Write Bandwidth

Specification ¹	Unit	Intel SSD 320 Series					
		40 GB	80 GB	120 GB	160 GB	300 GB	600 GB
Sequential Read (up to)	MB/s	200	270	270	270	270	270
Sequential Write (up to)	MB/s	45	90	130	165	205	220

Note: 1. Performance measured using Iometer with Queue Depth equal to 32.

Table 4. Latency

Specification	Intel SSD 320 Series					
	40 GB	80 GB	120 GB	160 GB	300 GB	600 GB
Latency ¹						
Read	75 µs (TYP)					
Write	90 µs (TYP)					
Power On To Ready ²	2.0 s (TYP)					

Notes: 1. Based on sequential 4 KB (4,096 bytes) at Queue Depth 1 Iometer workload. Write Cache Enabled.
 2. Power On To Ready time assumes proper shutdown.



2.3 Electrical Characteristics

Table 5. Operating Voltage and Power Consumption

Electrical Characteristics	Value
Operating Voltage for 5 V (+/- 5%)	
Min	4.75 V
Max	5.25 V
Power Consumption (Typical)	
Active ¹	150 mW
Idle ²	100 mW

Notes:

1. Active power measured during execution of MobileMark* 2007 with Device Initiated Power Management (DIPM) enabled.
2. Idle power defined as SSD at idle with DIPM enabled.

2.4 Environmental Conditions

Table 6. Temperature, Shock, Vibration

Temperature	Range
Case Temperature	
Operating	0 – 70 °C
Non-operating	-55 – 95 °C
Temperature Gradient ¹	
Operating	30 (Typical) °C/hr
Non-operating	30 (Typical) °C/hr
Humidity	
Operating	5 – 95 %
Non-operating	5 – 95 %
Shock and Vibration	Range
Shock ²	
Operating	1,500 G (Max) at 0.5 msec
Non-operating	1,500 G (Max) at 0.5 msec
Vibration ³	
Operating	2.17 G _{RMS} (5-700 Hz) Max
Non-operating	3.13 G _{RMS} (5-800 Hz) Max

Notes:

1. Temperature gradient measured without condensation.
2. Shock specifications assume the SSD is mounted securely with the input vibration applied to the drive-mounting screws. Stimulus may be applied in the X, Y or Z axis. Shock specification is measured using Root Mean Squared (RMS) value.
3. Vibration specifications assume the SSD is mounted securely with the input vibration applied to the drive-mounting screws. Stimulus may be applied in the X, Y or Z axis. Vibration specification measured using Root Mean Squared (RMS) value.



2.5 Product Regulatory Compliance

The Intel SSD 320 Series meets or exceeds the regulatory or certification requirements in Table 7.

Table 7. Product Regulatory Compliance Specifications

Title	Description	Region for which conformity declared
European Union Low Voltage Directive (LVD) 2006/95/EC	EN 60950-1 2nd edition for Information Technology Equipment - Safety - Part 1: General Requirements	European Union
UL/CSA 60950-1, Second Edition CAN/CSA-C22.2 No. 60950-1-07 Second Edition	Information Technology Equipment - Safety - Part 1: General Requirements	USA/Canada
CFR Title 47 Part 15	Radio Frequency Devices - Subpart B (Unintentional Radiators)	USA
ICES-003 Issue 4	Interference Causing Equipment Standard	Canada
EN 55022:2006	Information technology equipment - Radio disturbance characteristics - Limits and methods of measurement	European Union
CNS 14348:2006	Information technology equipment - Radio disturbance characteristics - Limits and methods of measurement	Taiwan
VCCI V3/2010.04	Information technology equipment - Radio disturbance characteristics - Limits and methods of measurement	Japan
KN22 (2008-5)	Information technology equipment - Radio disturbance characteristics - Limits and methods of measurement	Korea
CISPR 22:2006	Information technology equipment - Radio disturbance characteristics - Limits and methods of measurement	International
EN 55024:1998	Information technology equipment - Immunity characteristics - Limits and methods of measurement (CISPR 24:1997, modified)	European Union
KN24 (2008-5)	Information technology equipment - Immunity characteristics - Limits and methods of measurement (CISPR 24:1997, modified)	Korea



2.6 Reliability

The Intel SSD 320 Series meets or exceeds SSD endurance and data retention requirements as specified in the JESD218 specification.

Reliability specifications are listed in [Table 8](#).

Table 8. Reliability Specifications

Parameter	Value
Uncorrectable Bit Error Rate (UBER) Uncorrectable bit error rate will not exceed one sector in the specified number of bits read. In the unlikely event of a nonrecoverable read error, the SSD will report it as a read failure to the host; the sector in error is considered corrupt and is not returned to the host.	1 sector in 10^{16} bits read, max
Mean Time Between Failure (MTBF) Mean Time Between Failure is estimated based on Telcordia* methodology and demonstrated through Reliability Demonstration Test (RDT).	1,200,000 hours
Power On/Off Cycles Power On/Off Cycles is defined as power being removed from the SSD and then restored. Most host systems remove power from the SSD when entering suspend and hibernate as well as on a system shutdown.	50,000 cycles
Minimum Useful Life/Endurance Rating The SSD will have a minimum of five years of useful life under typical client workloads with up to 20 GB of host writes per day.	5 years
Insertion Cycles The SSD supports up to 250 insertion/removal cycles on SATA/ power cable.	250 insertion/removal cycles

2.7 Hot Plug Support

Hot Plug insertion and removal is supported in the presence of a proper connector and appropriate operating system (OS), as described in the SATA 2.6 specification.

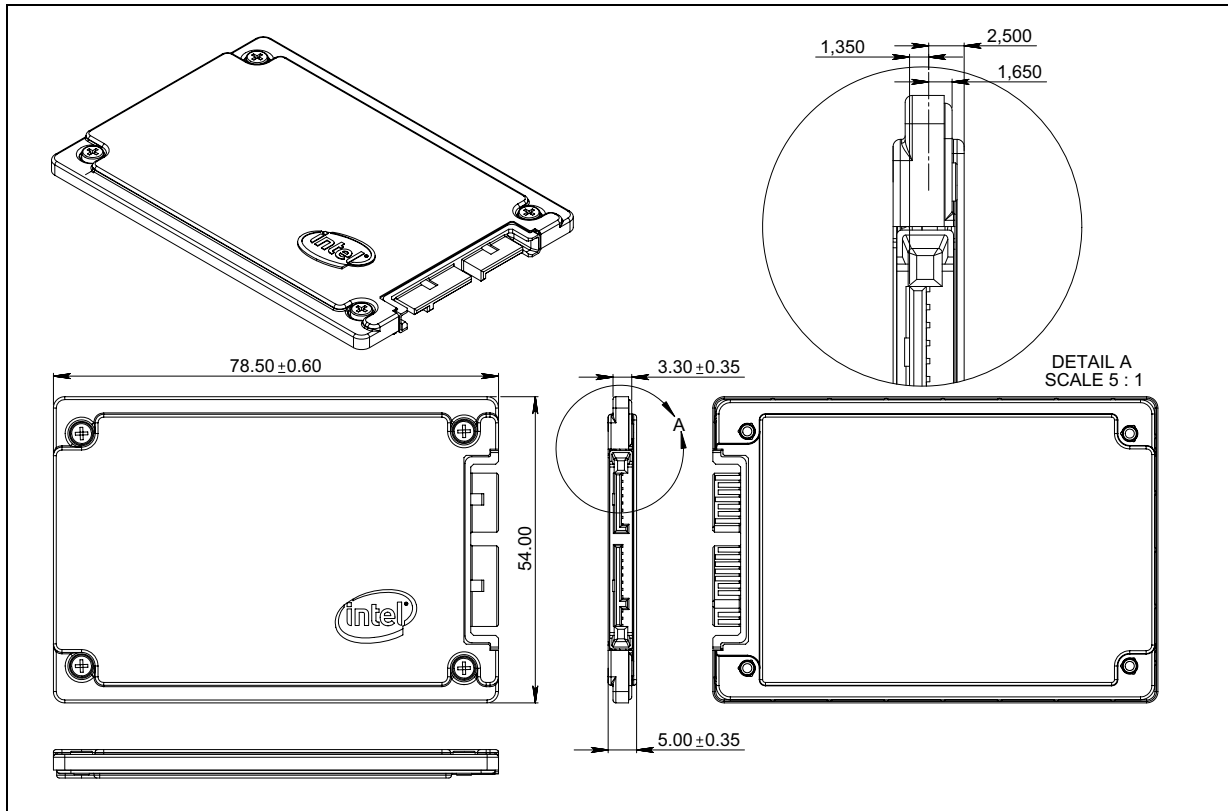
This product supports asynchronous signal recovery and issues an unsolicited COMINIT when first mated with a powered connector to guarantee reliable detection by a host system without hardware device detection.

3.0 Mechanical Information

3.1 1.8-inch Form Factor

Figure 1 shows the physical package information for the 1.8-inch Intel SSD 320 Series. All dimensions are in millimeters.

Figure 1. Dimensions for 1.8-inch Form Factor





3.2 2.5-inch Form Factors

Figure 2 shows the physical package information for the 7mm height 2.5-inch Intel SSD 320 Series. All dimensions are in millimeters.

Figure 2. Dimensions for 7mm 2.5-inch Form Factor

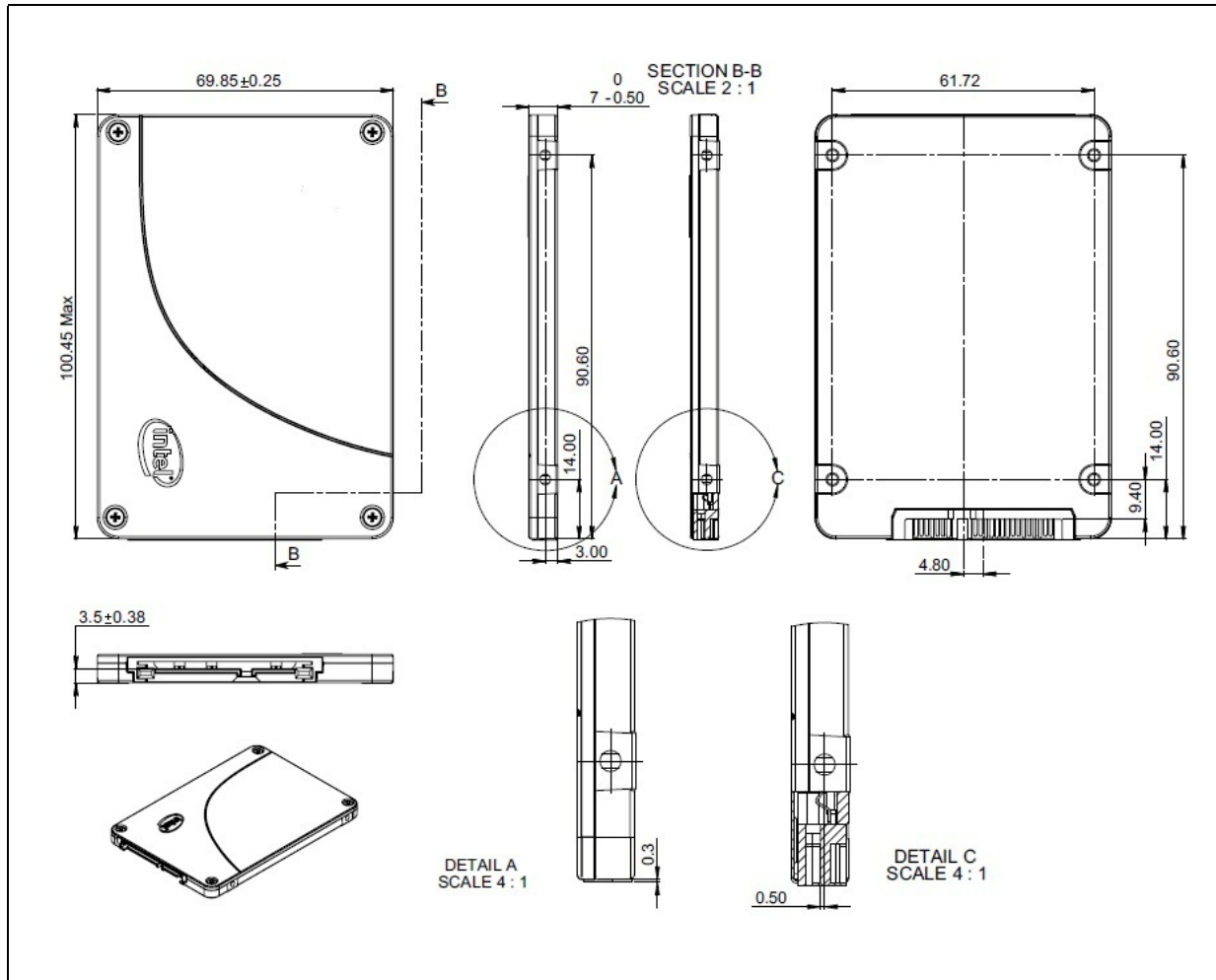
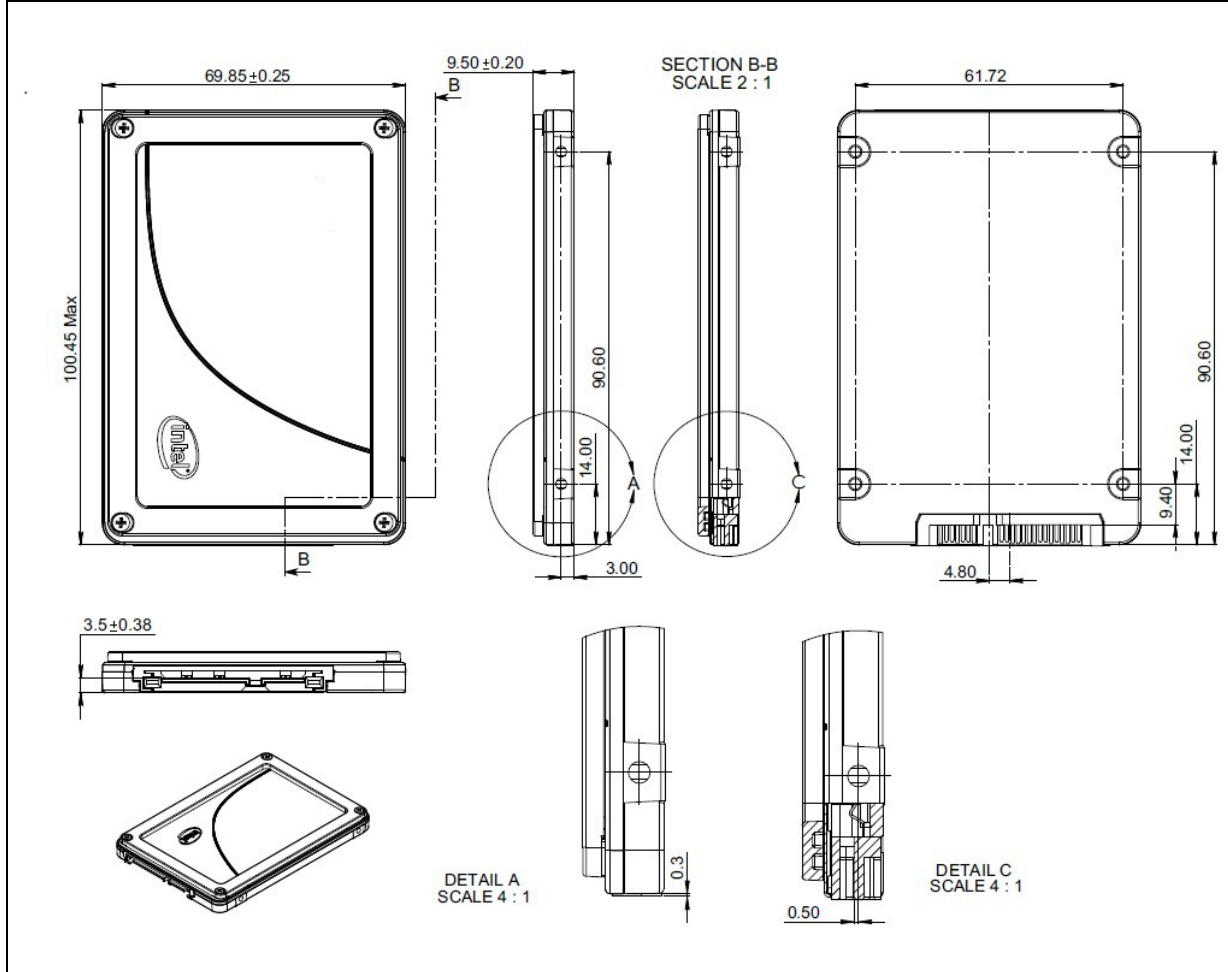


Figure 3 shows the physical package information for the 9.5mm height 2.5-inch Intel SSD 320 Series. All dimensions are in millimeters.

Figure 3. Dimensions for 9.5mm 2.5-inch Form Factor



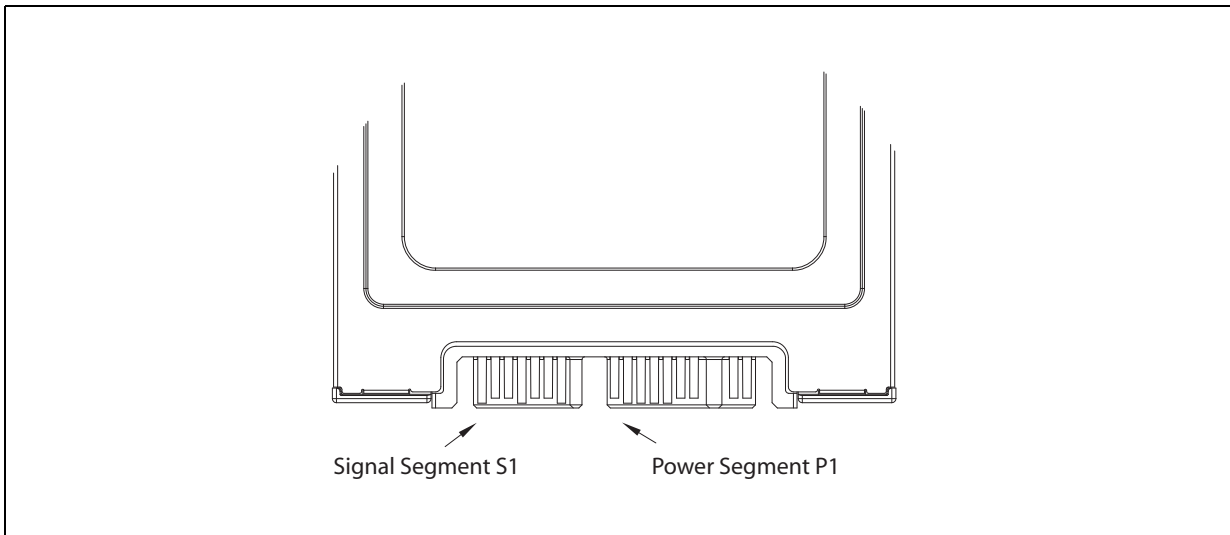


4.0 Pin and Signal Descriptions

4.1 Pin Locations

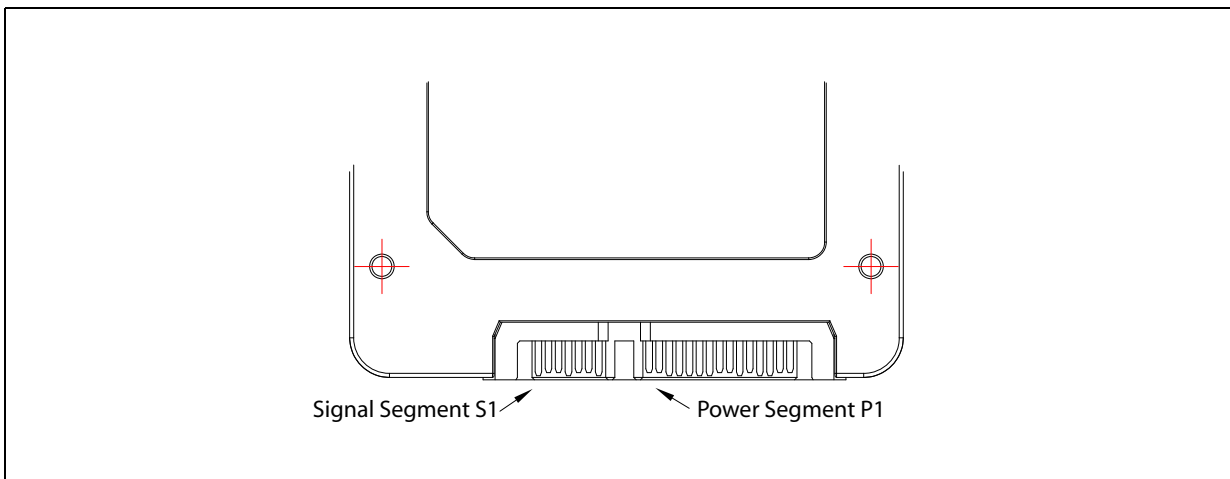
4.1.1 1.8-inch Form Factor Pin Locations

Figure 4. Layout of Signal and Power Segment Pins



4.1.2 2.5-inch Form Factor Pin Locations

Figure 5. Layout of Signal and Power Segment Pins



Note: 2.5-inch connector supports in-built latching capability.



4.2 Signal Descriptions

4.2.1 Connector Pin Signal Definitions

Table 9. Serial ATA Connector Pin Signal Definitions — 1.8-inch and 2.5-inch Form Factors

Pin	Function	Definition
S1	Ground	1st mate
S2	A+	Differential signal pair A
S3	A-	
S4	Ground	1st mate
S5	B-	Differential signal pair B
S6	B+	
S7	Ground	1st mate

Note: Key and spacing separate signal and power segments.

4.2.2 Power Pin Signal Definitions

Table 10. Serial ATA Power Pin Definitions — 1.8-inch Form Factor

Pin	Function	Definition	Mating Order ¹
P1 ²	V ₃₃	3.3 V Power	2nd Mate
P2 ²	V ₃₃	3.3 V Power, pre-charge	2nd Mate
P3 ³	Ground		1st Mate
P4 ³	Ground		1st Mate
P5 ⁴	V ₅	5 V Power. Not connected	1st Mate
P6 ⁴	V ₅	5 V Power. Not connected	2nd Mate
P7 ⁵	DAS	Device Activity Signal	2nd Mate
Key	Key	NC	NC
P8 ⁶	Optional	Manufacturing Test Pin	2nd Mate
P9 ⁶	Optional	Manufacturing Test Pin	2nd Mate

Notes:

1. All mate sequences assume zero angular offset between connectors.
2. P1 and P2 are internally connected to one another within the device.
3. Ground connectors P3 and P4 may contact before the other 1st mate pins in both the power and signal connectors to discharge ESD in a suitably configure backplane connector.
4. P5 and P6 are not connected internally to the device. The host may put 5V on these pins.
5. The host may ground P7 if it is not used for Device Activity Signal (DAS).
6. P8 and P9 should not be connected by the host.



Table 11. Serial ATA Power Pin Definitions — 2.5-inch Form Factor

Pin ¹	Function	Definition	Mating Order
P1 ²	Not connected	(3.3 V Power)	
P2 ²	Not connected	(3.3 V Power)	
P3 ²	Not connected	(3.3 V Power; pre-charge)	2nd Mate
P4 ^{3,4}	Ground		1st Mate
P5 ³	Ground		1st Mate
P6 ³	Ground		1st Mate
P7 ^{3,5}	V ₅	5 V Power	1st Mate
P8 ^{3,5}	V ₅	5 V Power	2nd Mate
P9 ^{3,5}	V ₅	5 V Power	2nd Mate
P10 ³	Ground		1st Mate
P11 ⁶	DAS	Device Activity Signal	2nd Mate
P12 ^{3, 4}	Ground		1st Mate
P13 ⁷	V ₁₂	12 V Power; not used	1st Mate
P14 ⁷	V ₁₂	12 V Power; not used	2nd Mate
P15 ⁷	V ₁₂	12 V Power; not used	2nd Mate

Notes:

- All pins are in a single row, with a 1.27 mm (0.050-inch) pitch.
- Pins P1, P2 and P3 are connected together, although they are not connected internally to the device. The host may put 3.3 V on these pins.
- The mating sequence is:
 - the ground pins P4-P6, P10, P12 and the 5V power pin P7.
 - the signal pins and the rest of the 5V power pins P8-P9.
- Ground connectors P4 and P12 may contact before the other 1st mate pins in both the power and signal connectors to discharge ESD in a suitably configured backplane connector.
- Power pins P7, P8, and P9 are internally connected to one another within the device.
- The host may ground P11 if it is not used for Device Activity Signal (DAS).
- Pins P13, P14 and P15 are connected together, although they are not connected internally to the device. The host may put 12 V on these pins.



5.0 Supported Command Sets

The Intel SSD 320 Series supports all the mandatory ATA (Advanced Technology Attachment) commands defined in the ATA8-ACS specification described in this section.

5.1 ATA General Feature Command Set

The Intel SSD 320 Series supports the ATA General Feature command set (non-PACKET), which consists of:

- EXECUTE DEVICE DIAGNOSTIC
- FLUSH CACHE
- IDENTIFY DEVICE

Note: See [Appendix A, "IDENTIFY DEVICE Command Data"](#) on page 26 for details on the sector data returned after issuing an IDENTIFY DEVICE command.

- READ DMA
- READ SECTOR(S)
- READ VERIFY SECTOR(S)
- SEEK
- SET FEATURES
- WRITE DMA
- WRITE SECTOR(S)
- READ MULTIPLE
- SET MULTIPLE MODE
- WRITE MULTIPLE

The Intel SSD 320 Series also supports the following optional commands:

- READ BUFFER
- WRITE BUFFER
- NOP
- DOWNLOAD MICROCODE

5.2 Power Management Command Set

The Intel SSD 320 Series supports the Power Management command set, which consists of:

- CHECK POWER MODE
- IDLE
- IDLE IMMEDIATE
- SLEEP
- STANDBY
- STANDBY IMMEDIATE



5.3 Security Mode Feature Set

The Intel SSD 320 Series supports the Security Mode command set, which consists of:

- SECURITY SET PASSWORD
- SECURITY UNLOCK
- SECURITY ERASE PREPARE
- SECURITY ERASE UNIT
- SECURITY FREEZE LOCK
- SECURITY DISABLE PASSWORD

5.4 SMART Command Set

The Intel SSD 320 Series supports the SMART command set, which consists of:

- SMART READ DATA
- SMART READ ATTRIBUTE THRESHOLDS
- SMART ENABLE/DISABLE ATTRIBUTE AUTOSAVE
- SMART SAVE ATTRIBUTE VALUES
- SMART EXECUTE OFF-LINE IMMEDIATE
- SMART READ LOG SECTOR
- SMART WRITE LOG SECTOR
- SMART ENABLE OPERATIONS
- SMART DISABLE OPERATIONS
- SMART RETURN STATUS
- SMART ENABLE/DISABLE AUTOMATIC OFFLINE



5.4.1 SMART Attributes

Table 12 lists the SMART attributes supported by the Intel SSD 320 Series and the corresponding status flags and threshold settings.

Table 12. SMART Attributes

ID	Attribute	Status Flags						Threshold
		SP	EC	ER	PE	OC	PW	
03h	Spin Up Time Reports a fixed value of zero (0).	1	0	0	0	0	0	0 (none)
04h	Start/Stop Count Reports a fixed value of zero (0).	1	1	0	0	0	0	0 (none)
05h	Re-allocated Sector Count The raw value of this attribute shows the number of retired blocks since leaving the factory (grown defect count).	1	1	0	0	1	0	0 (none)
09h	Power-On Hours Count Reports the cumulative number of power-on hours over the life of the device. However, the On/Off status of the Device Initiated Power Management (DIPM) feature will affect the number of hours reported. If DIPM is turned On, the recorded value for power-on hours does not include the time that the device is in a "slumber" state. If DIPM is turned Off, the recorded value for power-on hours should match the clock time, as all three device states are counted: active, idle and slumber.	1	1	0	0	1	0	0 (none)
0Ch	Power Cycle Count The raw value of this attribute reports the cumulative number of power cycle events over the life of the device.	1	1	0	0	1	0	0 (none)
AAh	Available Reserved Space	1	1	0	0	1	1	10
ABh	Program Fail Count The raw value of this attribute shows total count of program fails and the normalized value, beginning at 100, shows the percent remaining of allowable program fails.	1	1	0	0	1	0	0 (none)
ACh	Erase Fail Count The raw value of this attribute shows total count of erase fails and the normalized value, beginning at 100, shows the percent remaining of allowable erase fails.	1	1	0	0	1	0	0 (none)
B7h ¹	SATA Downshift Count The count of the number of times SATA interface selected lower signaling rate due to error.	1	1	0	0	1	0	100
B8h	End-to-End Error Detection Count Reports number of errors encountered during logical block address (LBA) tag checks, within the SSD data path.	1	1	0	0	1	1	90
BBh	Uncorrectable Error Count The raw value shows the count of errors that could not be recovered using Error Correction Code (ECC).	1	1	0	0	1	0	0 (none)
C0h	Power-Off Retract Count (Unsafe Shutdown Count) The raw value of this attribute reports the cumulative number of unsafe (unclean) shutdown events over the life of the device. An unsafe shutdown occurs whenever the device is powered off without STANDBY IMMEDIATE being the last command.	1	1	0	0	1	0	0 (none)



Table 12. SMART Attributes (Continued)

ID	Attribute	Status Flags						Threshold
		SP	EC	ER	PE	OC	PW	
C7h ¹	CRC Error Count The total number of encountered SATA interface cyclic redundancy check (CRC) errors.	1	1	0	0	1	0	0 (none)
E1h	Host Writes The raw value of this attribute reports the total number of sectors written by the host system. The raw value is increased by 1 for every 65,536 sectors (32MB) written by the host.	1	1	0	0	1	0	0 (none)
E2h	Timed Workload Media Wear Measures the wear seen by the SSD (since reset of the workload timer, attribute E4h), as a percentage of the maximum rated cycles.	1	1	0	0	1	0	0 (none)
E3h	Timed Workload Host Read/Write Ratio Shows the percentage of I/O operations that are read operations (since reset of the workload timer, attribute E4h).	1	1	0	0	1	0	0 (none)
E4h	Timed Workload Timer Measures the elapsed time (number of minutes since starting this workload timer).	1	1	0	0	1	0	0 (none)
E8h	Available Reserved Space This attribute reports the number of reserve blocks remaining. The normalized value begins at 100 (64h), which corresponds to 100 percent availability of the reserved space. The threshold value for this attribute is 10 percent availability.	1	1	0	0	1	1	10
E9h	Media Wearout Indicator This attribute reports the number of cycles the NAND media has undergone. The normalized value declines linearly from 100 to 1 as the average erase cycle count increases from 0 to the maximum rated cycles. Once the normalized value reaches 1, the number will not decrease, although it is likely that significant additional wear can be put on the device.	1	1	0	0	1	0	0 (none)
F1h	Total LBAs Written Counts sectors written by the host.	1	1	0	0	1	0	0 (none)
F2h	Total LBAs Read Counts sectors read by the host.	1	1	0	0	1	0	0 (none)

Note: 1. B7h and C7h attributes are available with firmware version 4Px10362 and later.

Table 13 defines the SMART Attribute status flags.

Table 13. SMART Attribute Status Flags

Status Flag	Description	Value = 0	Value = 1
SP	Self-preserving attribute	Not a self-preserving attribute	Self-preserving attribute
EC	Event count attribute	Not an event count attribute	Event count attribute
ER	Error rate attribute	Not an error rate attribute	Error rate attribute
PE	Performance attribute	Not a performance attribute	Performance attribute
OC	Online collection attribute	Collected only during offline activity	Collected during both offline and online activity
PW	Pre-fail warranty attribute	Advisory	Pre-fail



5.4.2 SMART Logs

The Intel SSD 320 Series implements the following Log Addresses: 00h, 02h, 03h, 06h, and 07h.

The Intel SSD 320 Series implements host vendor specific logs (addresses 80h-9Fh) as read and write scratchpads, where the default value is zero (0). Intel SSD 320 Series does not write any specific values to these logs unless directed by the host through the appropriate commands.

The Intel SSD 320 Series also implements a device vendor specific log at address A9h as a read-only log area with a default value of zero (0).

5.5 Device Statistics

In addition to the SMART attribute structure, statistics pertaining to the operation and health of the Intel SSD 320 Series can be reported to the host on request through the Device Statistics log as defined in the ATA specification.

The Device Statistics log is a read-only GPL/SMART log located at read log address 0x04 and is accessible using READ LOG EXT, READ LOG DMA EXT or SMART READ LOG commands.

Table 14 lists the Device Statistics supported by the Intel SSD 320 Series.

Table 14. Device Statistics Log

Page	Offset	Description	Equivalent SMART attribute if applicable
0x00	-	List of Supported Pages	-
0x01 - General Statistics	0x08	Power Cycle Count	0Ch
	0x10	Power-On Hours	09h
	0x18	Logical Sectors Written	E1h
	0x20	Num Write Commands - incremented by one for every host write command	-
	0x28	Logical Sectors Read	F2h
	0x30	Num Read Commands - incremented by one for every host write command	-
0x04 - General Errors Statistics	0x08	Num Reported Uncorrectable Errors	BBh
	0x10	Num Resets Between Command Acceptance and Completion	-
0x06 - Transport Statistics	0x08	Num Hardware Resets	-
	0x10	Num ASR Events	-
	0x18	CRC Error Count	-
0x07 - Solid State Device Statistics	0x08	Percentage Used Endurance Indicator	E9h Note: This device statistic counts up from 0 rather than down from 100, and may go beyond 100 for drives that exceed their expected lifetime.



5.6 SMART Command Transport (SCT)

With SMART Command Transport (SCT), a host can send commands and data to an SSD and receive status and data from an SSD using standard write/read commands to manipulate two SMART Logs:

- Log Address E0h ("SCT Command/Status") — used to send commands and retrieve status
- Log Address E1h ("SCT Data Transfer") — used to transport data

The Intel SSD 320 Series supports the following standard SCT actions:

- Write Same — Intel SSD 320 Series implements this action code as described in the ATA specification.
- Error Recovery Control — Intel SSD 320 Series accepts this action code, and will store and return error-recovery time limit values.
- Feature Control - Intel SSD 320 Series supports feature code 0001h (write cache) and feature code 0002h (write cache reordering).

5.7 Data Set Management Command Set

The Intel SSD 320 Series supports the Data Set Management command set Trim attribute, which consists of:

- DATA SET MANAGEMENT

5.8 Host Protected Area Command Set

The Intel SSD 320 Series supports the Host Protected Area command set, which consists of:

- READ NATIVE MAX ADDRESS
- SET MAX ADDRESS
- READ NATIVE MAX ADDRESS EXT
- SET MAX ADDRESS EXT

The Intel SSD 320 Series also supports the following optional commands:

- SET MAX SET PASSWORD
- SET MAX LOCK
- SET MAX FREEZE LOCK
- SET MAX UNLOCK



5.9 48-Bit Address Command Set

The Intel SSD 320 Series supports the 48-bit Address command set, which consists of:

- FLUSH CACHE EXT
- READ DMA EXT
- READ NATIVE MAX ADDRESS
- READ NATIVE MAX ADDRESS EXT
- READ SECTOR(S) EXT
- READ VERIFY SECTOR(S) EXT
- SET MAX ADDRESS EXT
- WRITE DMA EXT
- WRITE MULTIPLE EXT
- WRITE SECTOR(S) EXT

5.10 Device Configuration Overlay Command Set

The Intel SSD 320 Series supports the Device Configuration Overlay command set, which consists of:

- DEVICE CONFIGURATION FREEZE LOCK
- DEVICE CONFIGURATION IDENTITY
- DEVICE CONFIGURATION RESTORE
- DEVICE CONFIGURATION SET

5.11 General Purpose Log Command Set

The Intel SSD 320 Series supports the General Purpose Log command set, which consists of:

- READ LOG EXT
- WRITE LOG EXT

5.12 Native Command Queuing

The Intel SSD 320 Series supports the Native Command Queuing (NCQ) command set, which includes:

- READ FPDMA QUEUED
- WRITE FPDMA QUEUED

Note: With a maximum Queue Depth equal to 32.

5.13 Software Settings Preservation

The Intel SSD 320 Series supports the SET FEATURES parameter to enable/disable the preservation of software settings.

5.14 Device Initiated Power Management (DIPM)

The Intel SSD 320 Series supports the SET FEATURES parameter to enable Device Initiated Power Management.



6.0 Certifications and Declarations

Table 15 describes the Device Certifications supported by the Intel SSD 320 Series.

Table 15. Device Certifications and Declarations

Certification	Description
CE Compliant	Indicates conformity with the essential health and safety requirements described in European Directives Low Voltage Directive and EMC Directive.
UL Certified	Underwriters Laboratories, Inc. Component Recognition UL60950-1.
C-Tick Compliant	Compliance with the Australia/New Zealand Standard AS/NZS3548 and Electromagnetic Compatibility (EMC) Framework requirements of the Australian Communication Authority (ACA).
BSMI Compliant	Compliance to the Taiwan EMC standard "Limits and methods of measurement of radio disturbance characteristics of information technology equipment, CNS 13438 Class B."
KCC	Compliance with paragraph 1 of Article 11 of the Electromagnetic Compatibility Control Regulation and meets the Electromagnetic Compatibility (EMC) Framework requirements of the Radio Research Laboratory (RRL) Ministry of Information and Communication Republic of Korea.
Microsoft WHQL	Microsoft Windows Hardware Quality Labs
RoHS Compliant	Restriction of Hazardous Substance Directive
VCCI	Voluntary Control Council for Interface to cope with disturbance problems caused by personal computers or facsimile.
SATA-IO	Indicates certified logo program from Serial ATA International Organization.

7.0 References

Table 16 identifies the standards information referenced in this document.

Table 16. Standards References

Date or Rev. #	Title	Location
Sept 2010	Solid-State Drive (SSD) Requirements and Endurance Test Method (JESD218)	http://www.jedec.org/standards-documents/docs/jesd218/
Dec 2008	VCCI	http://www.vcci.jp/vcci_e/
June 2009	RoHS	http://qdms.intel.com/ Click <i>Search MDDS Database</i> and search for material description datasheet
August 2009	ATA8-ACS Specification	http://www.t13.org/
June 2009	Serial ATA Revision 2.6	http://www.sata-io.org/
May 2006	SFF-8223, 2.5-inch Drive w/Serial Attachment Connector	http://www.sffcommittee.org/
May 2005	SFF-8201, 2.5-inch drive form factor	http://www.sffcommittee.org/
1995 1996 1995 1995 1997 1994	International Electrotechnical Commission EN 61000 4-2 (Electrostatic discharge immunity test) 4-3 (Radiated, radio-frequency, electromagnetic field immunity test) 4-4 (Electrical fast transient/burst immunity test) 4-5 (Surge immunity test) 4-6 (Immunity to conducted disturbances, induced by radio-frequency fields) 4-11 (Voltage Variations, voltage dips, short interruptions and voltage variations immunity tests)	http://www.iec.ch/
1995	ENV 50204 (Radiated electromagnetic field from digital radio telephones)	http://www.dbicorporation.com/radimmun.htm/



8.0 Terms and Acronyms

Table 17 defines the terms and acronyms used in this document.

Table 17. Glossary of Terms and Acronyms

Term	Definition
ATA	Advanced Technology Attachment
DAS	Device Activity Signal
DIPM	Device Initiated Power Management
DMA	Direct Memory Access
ECC	Error Correction Code
EXT	Extended
FPDMA	First Party Direct Memory Access
GB	Gigabyte Note: The total usable capacity of the SSD may be less than the total physical capacity because a small portion of the capacity is used for NAND flash management and maintenance purposes.
HDD	Hard Disk Drive
I/O	Input/Output
IOPS	Input/Output Operations Per Second
ISO	International Standards Organization
KB	Kilobyte
LBA	Logical Block Address
MB	Megabyte
MLC	Multi-level Cell
MTBF	Mean Time Between Failures
NCQ	Native Command Queuing
NOP	No Operation
PIO	Programmed Input/Output
RDT	Reliability Demonstration Test
RMS	Root Mean Squared
RoHS	Restriction of Hazardous Substances
SATA	Serial Advanced Technology Attachment
SCT	SMART Command Transport
SMART	Self-Monitoring, Analysis and Reporting Technology An open standard for developing hard drives and software systems that automatically monitors the health of a drive and reports potential problems.
SSD	Solid-State Drive
TYP	Typical
UBER	Uncorrectable Bit Error Rate



9.0 Revision History

Date	Revision	Description
September 2011	002	Updated Figure 2, "Dimensions for 7mm 2.5-inch Form Factor" . Updated Figure 3, "Dimensions for 9.5mm 2.5-inch Form Factor" . Updated SMART attributes ABh and ACh. Added SMART attributes B7h, C7h, BBh, E2h, E3h, and E4h. Changed offset 0x18 in 0x06 - Transport Statistics in Table 14 on page 20 from "Num Interface CRC Errors" to "CRC Error Count". Misc. documentation changes.
March 2011	001	Initial release.



Appendix A IDENTIFY DEVICE Command Data

Table 18 details the sector data returned after issuing an IDENTIFY DEVICE command.

Table 18. Returned Sector Data

Word	F = Fixed V = Variable X = Both	Default Value	Description
0	F	0040h	General configuration bit-significant information
1	X	3FFFh	Obsolete - Number of logical cylinders (16,383)
2	V	C837h	Specific configuration
3	X	0010h	Obsolete - Number of logical heads (16)
4-5	X	0h	Retired
6	X	003Fh	Obsolete - Number of logical sectors per logical track (63)
7-8	V	0h	Reserved for assignment by the CompactFlash* Association (CFA)
9	X	0h	Retired
10-19	F	varies	Serial number (20 ASCII characters)
20-21	X	0h	Retired
22	X	0h	Obsolete
23-26	F	varies	Firmware revision (8 ASCII characters)
27-46	F	varies	Model number (Intel® Solid-State Drive)
47	F	8010h	7:0—Maximum number of sectors transferred per interrupt on multiple commands
48	F	0000h	Reserved
49	F	2F00h	Capabilities
50	F	4000h	Capabilities
51-52	X	0h	Obsolete
53	F	0007h	Words 88 and 70: 64 valid
54	X	3FFFh	Obsolete - Number of logical cylinders (16,383)
55	X	0010h	Obsolete - Number of logical heads (16)
56	X	003Fh	Obsolete - Number of logical sectors per logical track (63)
57-58	X	00FBFC10h	Obsolete
59	V	0110h	Number of sectors transferred per interrupt on multiple commands
60-61	F	varies	Total number of user-addressable sectors
62	X	0h	Obsolete
63	F	0007h	Multi-word DMA modes supported/selected
64	F	0003h	PIO modes supported
65	F	0078h	Minimum multiword DMA transfer cycle time per word
66	F	0078h	Manufacturer's recommended multiword DMA transfer cycle time
67	F	0078h	Minimum PIO transfer cycle time without flow control
68	F	0078h	Minimum PIO transfer cycle time with IORDY flow control
69	F	4020h	Additional Supported
70	F	0000h	Reserved
71-74	F	0h	Reserved for IDENTIFY PACKET DEVICE command



Table 18. Returned Sector Data (Continued)

Word	F = Fixed V = Variable X = Both	Default Value	Description
75	F	001Fh	Queue depth
76	F	0506h	Serial ATA capabilities
77	F	0h	Reserved for future Serial ATA definition
78	F	0048h	Serial ATA features supported
79	V	0040h	Serial ATA features enabled
80	F	01FCh	Major version number
81	F	0029h	Minor version number
82	F	746Bh	Command set supported
83	F	7D01h	Command sets supported
84	F	6163h	Command set/feature supported extension
85	V	7469h	Command set/feature enabled
86	V	BC01h	Command set/feature enabled
87	V	6163h	Command set/feature default
88	V	407Fh	Ultra DMA Modes
89	F	0001h	Time required for security erase unit completion
90	F	0001h	Time required for enhanced security erase completion
91	V	0h	Current advanced power management value
92	V	FFFEh	Master Password Revision Code
93	F	0h	Hardware reset result: the contents of bits (12:0) of this word shall change only during the execution of a hardware reset
94	V	0h	Vendor's recommended and actual acoustic management value
95	F	0h	Stream minimum request size
96	V	0h	Streaming transfer time - DMA
97	V	0h	Streaming access latency - DMA and PIO
98-99	F	0h	Streaming performance granularity
100-103	V	varies	Maximum user LBA for 48-bit address feature set
104	V	0h	Streaming transfer time - PIO
105	F	0008h	Reserved
106	F	4000h	Physical sector size / logical sector size
107	F	0h	Inter-seek delay for ISO-7779 acoustic testing in microseconds
108-111	F	varies	Unique ID
112-115	F	0h	Reserved for world wide name extension to 128 bits
116	V	0h	Reserved for technical report
117-118	F	0h	Words per logical sector
119	F	401Ch	Supported settings
120	F	401Ch	Command set/feature enabled/supported
121-126	F	0h	Reserved
127	F	0h	Removable Media Status Notification feature set support
128	V	0021h	Security status
129-159	X	varies	Vendor-specific



Table 18. Returned Sector Data (Continued)

Word	F = Fixed V = Variable X = Both	Default Value	Description
160	F	0h	CompactFlash Association (CFA) power mode 1
161-168	X	0h	Reserved for assignment by the CFA
169	X	0001h	Data set management Trim attribute support
170-173	F	0h	Additional Product Identifier
174-175	F	0h	Reserved
176-205	V	0h	Current media serial number
206	X	003Dh	SCT Command Transport
207-208	X	0000h	Reserved
209	X	0000h	Alignment of logical blocks within a physical block
210-211	X	0000h	Write-Read-Verify Sector Count Mode 3 (DWord)
212-213	X	0000h	Write-Read-Verify Sector Count Mode 2 (DWord)
214	X	0000h	NV Cache Capabilities
215-216	X	0000h	NV Cache Size in Logical Blocks (DWord)
217	X	0001h	Nominal media rotation rate
218	X	0000h	Reserved
219	X	0000h	NV Cache Options
220	X	0000h	Write-Read-Verify feature set
221	X	0000h	Reserved
222	X	101Fh	Transport major version number
223	X	0000h	Transport minor version number
224-229	X	0000h	Reserved
230-233	X	0000h	Extended Number of User Addressable Sectors (QWord)
234	X	0001h	Minimum number of 512-byte data blocks per DOWNLOAD MICROCODE command for mode 03h
235	X	0400h	Maximum number of 512-byte data blocks per DOWNLOAD MICROCODE command for mode 03h
236-254	X	0000h	Reserved
255	X	varies	Integrity word

Notes: **F = Fixed.** The content of the word is fixed and does not change. For removable media devices, these values may change when media is removed or changed.

V = Variable. The state of at least one bit in a word is variable and may change depending on the state of the device or the commands executed by the device.

X = F or V. The content of the word may be fixed or variable.