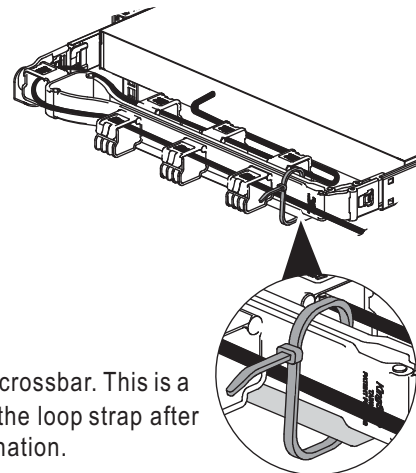
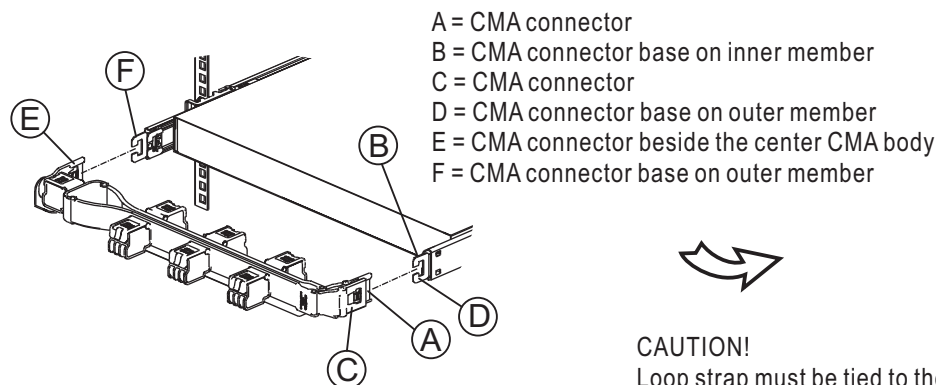
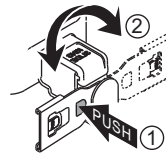


# CMA Kit Installation Guide

## Kit Contents / Component Identification

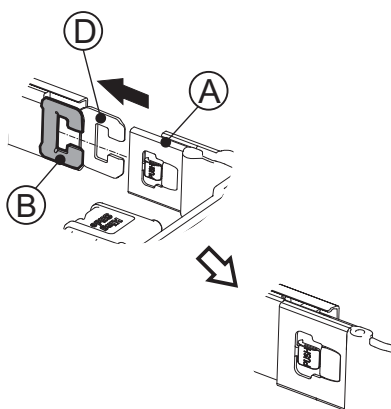
**Before installation, check the Cable Management Arm (CMA) installation direction and switch the CMA connector.**

- (1) Press "PUSH" button.
- (2) Spin 180 degree to change the direction.

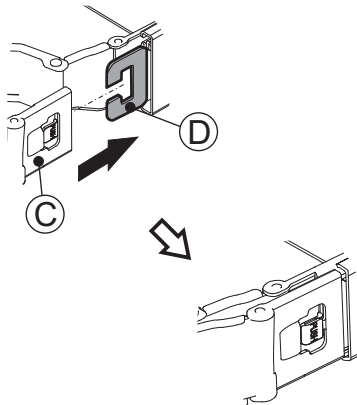


## Cable Management Arm Installation

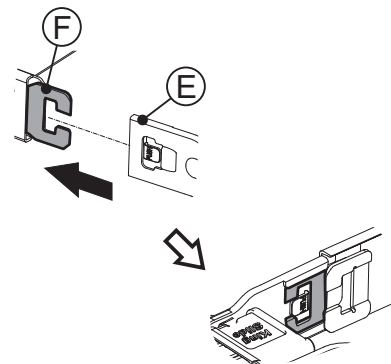
- (1) Install the inner member  
 Install (A) onto (B).



- (2) Install the outer member  
 Install (C) onto (D).

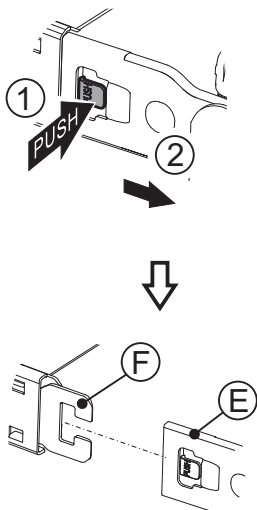


- (3) Install the outer member  
 Install (E) onto (F).

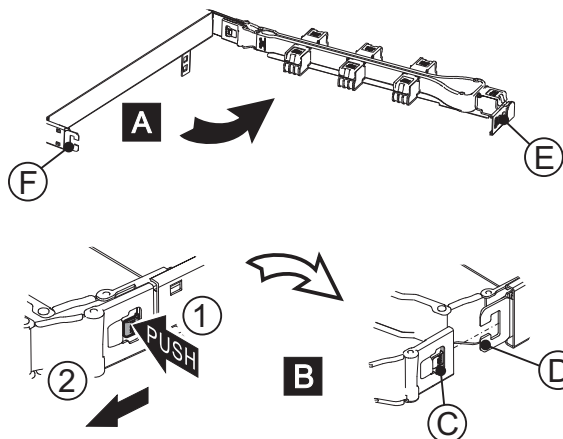


## Cable Management Arm Release

- (1) Release the outer member  
 Press the "PUSH" button on the CMA plug-in part to draw it out.



- (2) Release the outer member  
 <A> Turn CMA 90 degree to the right hand side to maintain the chassis or resume the removal.  
 <B> Press the "PUSH" button on the CMA plug-in part to draw it out.



- (3) Release the inner member  
 Press the "PUSH" button on the CMA plug-in part to draw it out.

