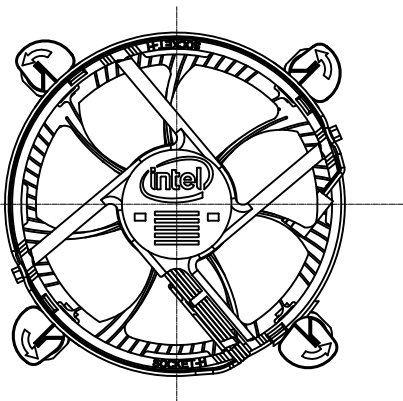


1

2

3

4



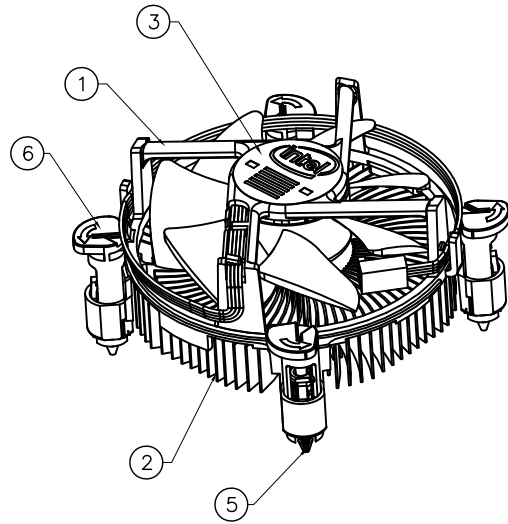
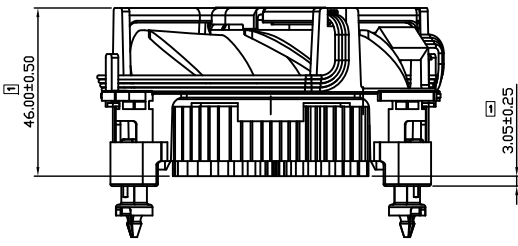
FAN HEATSINK ASSEMBLY SPECIFICATION	
FAN TYPE	LINERLY VARIABLE, DC
MASS	180 GRAMS
SOUND LEVEL	4.5 BA @ 3150 RPM NOM.

A

A

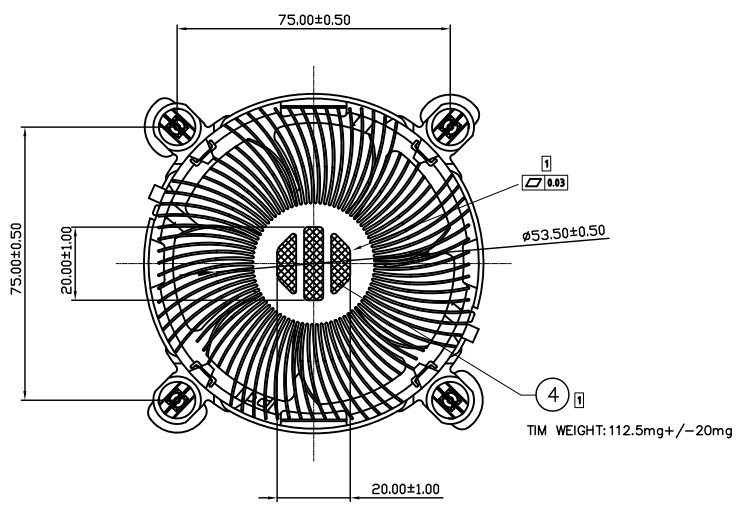
NOTE

1 CRITICAL TO FUNCTION DIMENSION.



B

B



Part	Description	Material	Qty	Remark
6	FASTENER CAP	---	4	---
5	FASTENER BASE	---	4	---
4	TIM	TC-5630	1	DTC-DAB17-03
3	Lable	---	1	---
2	HeatSink	---	1	DTC-DAB17-02
1	Fan ASSY.	---	1	DTC-DAB17-01

C

C

台達電子工業股份有限公司 DELTA ELECTRONICS, INC.		Drawn: Charles Chen Checked: Alex Hsia Approved: Alex Hsia	
THESE DRAWINGS AND SPECIFICATIONS ARE THE PROPERTY OF DELTA ELECTRONICS, INC. AND SHALL NOT BE REPRODUCED OR USED AS THE BASIS FOR THE MANUFACTURE OR SELL OF APPARATUSSES OR DEVICES WITHOUT PERMISSION.			
DIMENSIONAL TOLERANCES () (V) () <30 ±0.25 DECIMALS UP~100 ±0.2 250~300 ±0.4 UP~600 ±1.5 >30~100 ±0.35 X ±1.0 100~150 ±0.25 300~350 ±0.45 600~900 ±2.4 >100~300 ±0.5 XX ±0.50 150~200 ±0.3 350~400 ±0.5 900~OVER ±3.1 ABOVE 300 ±0.6 XXX ±0.25 200~250 ±0.35		THIRD ANGLE PROJECTION 	
SCALE 1 : 1 UNIT mm USED ON COOLER		A3 SIZE	
DESCRIPTION: THERMAL MODULE ASSEMBLY (E42000-001_XA16)		PART NO.: DTC-DAB17 SHEET 1 OF 1	
		REV. 00	

1

2

3

4

1 2 3 4

A

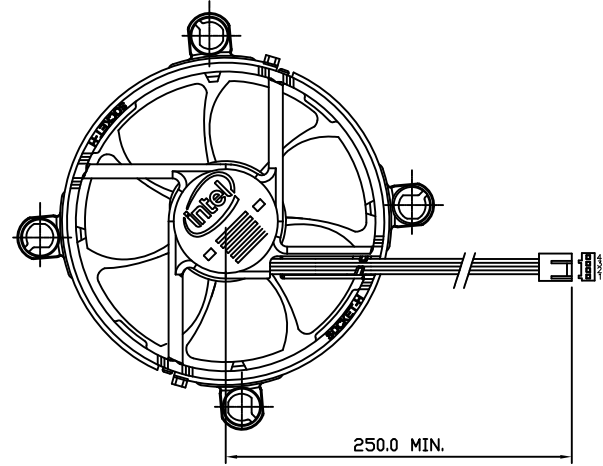
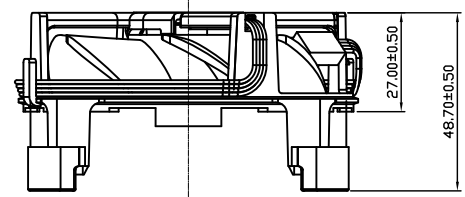
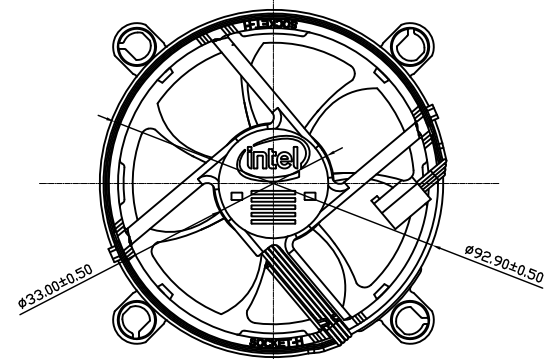
B

C

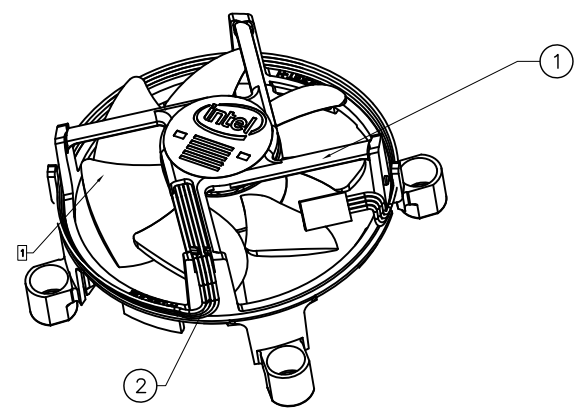
A

B

C



FAN SPECIFICATION	
FAN TYPE	LINEARLY VARIABLE, DC BRUSHLESS MOTOR
OPERATING VOLTAGE	13.2V MAX, 12V RATED, 10.8V MIN
CURRENT	AVERAGE : 0.14A
	MAXIMUM : 0.60A
	STARTING : 0.75A MAX
SPEED AT STEADY STATE	3150 RPM \pm 10% \bullet 12V
OPERATING TEMPERATURE	-10°C TO +70°C
OPERATING HUMIDITY	85% RELATIVE HUMIDITY \bullet 55°C
PROTECTION	LOCKED ROTOR, POLARITY
BEARING TYPE	SUPERFLO BEARING



Part Description	Material	Qty	Remark
2 CABLE ASSY'S	---	1	DTC-DAB17-01/02
1 SHROUD	PBT	1	DTC-DAB17-01/01

NOTE

1. IMPELLER MATERIAL - PLASTIC, BLACK, UL94V-0, PBT GLASS 30%.

台達電子工業股份有限公司 DELTA ELECTRONICS, INC.		Drawn: Charles Chen Checked: Alex Hsia Approved: Alex Hsia	
THESE DRAWINGS AND SPECIFICATIONS ARE THE PROPERTY OF DELTA ELECTRONICS, INC. AND SHALL NOT BE REPRODUCED OR USED AS THE BASIS FOR THE MANUFACTURE OR SELL OF APPARATUSSES OR DEVICES WITHOUT PERMISSION.			
DIMENSIONAL TOLERANCES () (V) () <30 \pm 0.25 DECIMALS UP~100 \pm 0.2 250~300 \pm 0.4 UP~600 \pm 1.5 >30~100 \pm 0.35 X \pm 0.50 100~150 \pm 0.25 300~350 \pm 0.45 600~900 \pm 2.4 >100~300 \pm 0.5 X.X \pm 0.20 150~200 \pm 0.3 350~400 \pm 0.5 900~OVER \pm 3.1 ABOVE 300 \pm 0.6 X.XX \pm 0.10 200~250 \pm 0.35		THIRD ANGLE PROJECTION A3 SIZE	
SCALE	1 : 1	UNIT	mm USED ON COOLER
PART NO.: DTC-DAB17-01		REV. 00	
SHEET 1 OF 1			

1 2 3 4

1

2

3

4

A

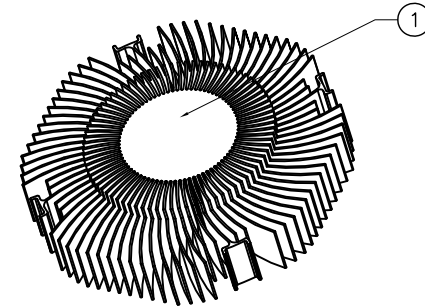
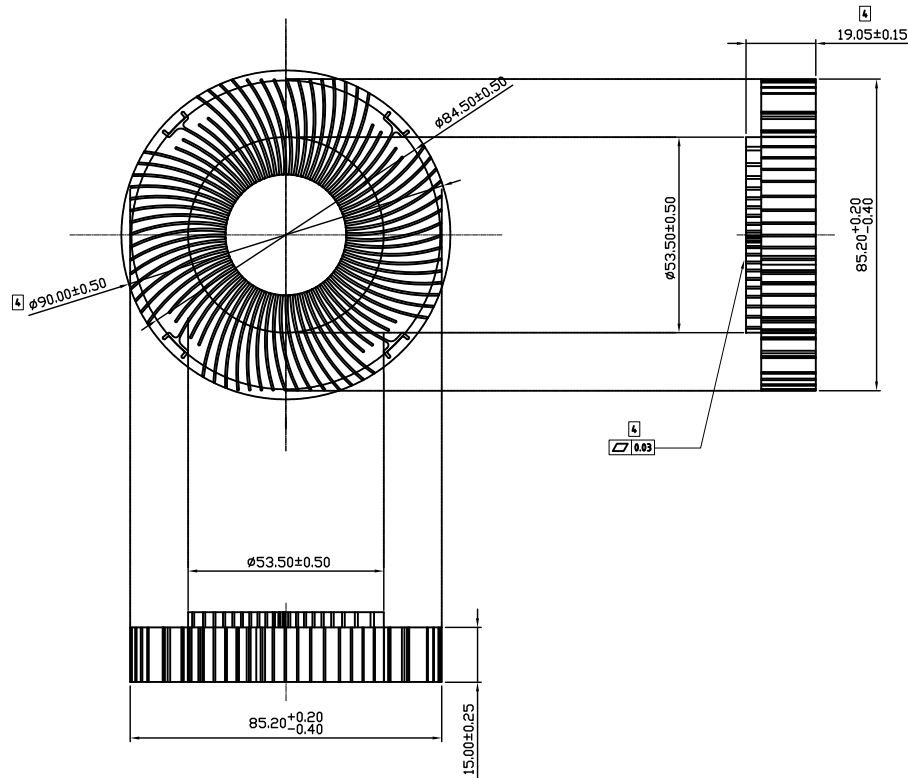
A

B

B

C

C



NOTE

- 1. MATERIAL : AL A6063 T5.
- 2. UNLESS OTHERWISE SPECIFIED - ALL ROUNDS & FILLETS R0.1, AND BURRS & SHARP EDGES TO BE WITHIN 0.1.
- 3. APPEARANCE OF SURFACES TO BE UNIFORM, AND FREE OF DUST, METAL FLAKES, ADHESIVES, OIL, BLEMISHES AND SCRATCHES.

☐ CRITICAL TO FUNCTION DIMENSION.

1	EXTRUSION	A6063-T5	1	DTC-DAB17-02
Part	Description	Material	Qty	Remark

台達電子工業股份有限公司 DELTA ELECTRONICS, INC.		Drawn: Charles Chen	
		Checked: Alex Hsia	
THESE DRAWINGS AND SPECIFICATIONS ARE THE PROPERTY OF DELTA ELECTRONICS, INC. AND SHALL NOT BE REPRODUCED OR USED AS THE BASIS FOR THE MANUFACTURE OR SELL OF APPARATUSSES OR DEVICES WITHOUT PERMISSION.		Approved: Alex Hsia	
		DESCRIPTION: HEATSINK (E42004-001_XP03)	
DIMENSIONAL TOLERANCES () (V) () () <30 :±0.25 DECIMALS UP~100 :±0.2 250~300 :±0.4 UP~600 :±1.5 >30~100 :±0.35 X :±0.50 100~150 :±0.25 300~350 :±0.45 600~900 :±2.4 >100~300 :±0.6 X.X :±0.20 150~200 :±0.3 350~400 :±0.5 900~OVER :±3.1 ABOVE 300 :±0.6 X.XX :±0.10 200~250 :±0.35		THIRD ANGLE PROJECTION A3 SIZE	
SCALE	1 : 1	UNIT	mm
USED ON	COOLER		
PART NO.:	DTC-DAB17-02	REV.	00
SHEET	1	OF	1

1

2

3

4

1

2

3

4

A

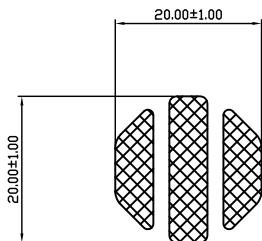
A

B



B

C

C



- NOTES: 1. THICKNESS: 0.20mm
 2. VENDOR P/N: DOW CORNING TC-5630
 3. COLOR: GRAY.
 4. THERMAL CONDUCTIVITY: 4.3 W/m-°C
 5. THERMAL CONTACT RESISTANCE: 0.06 °C-cm²/W @40psi
 6. GROSS WEIGHT: 112.5±20 mg
 7. VENDOR : DOW CORNING
 8. MUST MEET DELTA'S SPEC : 10000-0162

 台達電子工業股份有限公司 DELTA ELECTRONICS, INC.					Drawn: Charles Chen	
					Checked: Alex Hsia	
THESE DRAWINGS AND SPECIFICATIONS ARE THE PROPERTY OF DELTA ELECTRONICS, INC. AND SHALL NOT BE REPRODUCED OR USED AS THE BASIS FOR THE MANUFACTURE OR SELL OF APPARATUS OR DEVICES WITHOUT PERMISSION.					Approved: Alex Hsia	
DIMENSIONAL TOLERANCES () (V) () () <30 :±0.25 X :±0.50 >30~100 :±0.35 X.X :±0.30 >100~300 :±0.5 X.XX :±0.20 ABOVE 300:±0.6 X.XX:±0.20			HOLES : ±0.06 ANGLES : ±0.5° UP~100 :±0.2 250~300 :±0.4 UP~600 :±1.5 100~150 :±0.25 300~350 :±0.45 600~800 :±2.4 150~200 :±0.3 350~400 :±0.5 900~OVER :±3.1 200~250 :±0.35		DESCRIPTION: THERMAL INTERFACE (D60392-001_XP01)	
SCALE 1 : 1 UNIT mm USED ON COOLER			THIRD ANGLE PROJECTION  A3 SIZE		PART NO.: DTC-DAB17-03 REV. 00	
					SHEET 1 OF 1	

1

2

3

4