

Disk on Module (DOM) Install Guide: Intel® Storage System SSR212MA

**A Guide for Technically Qualified Assemblers of Intel® Identified Subassemblies/
Products**

Intel Order Number: D23738-001



Disclaimer

Information in this document is provided in connection with Intel® products. No license, express or implied, by estoppel or otherwise, to any intellectual property rights is granted by this document. Except as provided in Intel's Terms and Conditions of Sale for such products, Intel assumes no liability whatsoever, and Intel disclaims any express or implied warranty, relating to sale and/or use of Intel® products including liability or warranties relating to fitness for a particular purpose, merchantability, or infringement of any patent, copyright or other intellectual property right. Intel products are not designed, intended or authorized for use in any medical, life saving, or life sustaining applications or for any other application in which the failure of the Intel product could create a situation where personal injury or death may occur. Intel may make changes to specifications and product descriptions at any time, without notice.

Intel® server boards contain a number of high-density VLSI and power delivery components that need adequate airflow for cooling. Intel's own chassis are designed and tested to meet the intended thermal requirements of these components when the fully integrated system is used together. It is the responsibility of the system integrator that chooses not to use Intel developed server building blocks to consult vendor datasheets and operating parameters to determine the amount of airflow required for their specific application and environmental conditions. Intel Corporation can not be held responsible if components fail or the server board does not operate correctly when used outside any of their published operating or non-operating limits.

Intel, Intel Pentium, and Intel Xeon are trademarks or registered trademarks of Intel Corporation or its subsidiaries in the United States and other countries.

* Other names and brands may be claimed as the property of others.

Copyright © 2005, Intel Corporation. All Rights Reserved

Safety Information

Important Safety Instructions

Read all caution and safety statements in this document before performing any of the instructions. See also Intel Server Boards and Server Chassis Safety Information on the *Intel® Server Deployment Toolkit CD* and/or at <http://support.intel.com/support/motherboards/server/sb/cs-010770.htm>.

Wichtige Sicherheitshinweise

Lesen Sie zunächst sämtliche Warnung und Sicherheitshinweise in diesem Dokument, bevor Sie eine der Anweisungen ausführen. Beachten Sie hierzu auch die Sicherheitshinweise zu Intel-Serverplatinen und Servergehäusen auf der *Intel® Server Deployment Toolkit CD* oder unter <http://support.intel.com/support/motherboards/server/sb/cs-010770.htm>.

Consignes de sécurité

Lisez attention toutes les consignes de sécurité et les mises en garde indiquées dans ce document avant de suivre toute instruction. Consultez Intel Server Boards and Server Chassis Safety Information sur le *Intel® Server Deployment Toolkit CD* ou bien rendez-vous sur le site <http://support.intel.com/support/motherboards/server/sb/cs-010770.htm>.

Instrucciones de seguridad importantes

Lea todas las declaraciones de seguridad y precaución de este documento antes de realizar cualquiera de las instrucciones. Vea Intel Server Boards and Server Chassis Safety Information en el *Intel® Server Deployment Toolkit CD* y/o en <http://support.intel.com/support/motherboards/server/sb/cs-010770.htm>.

重要安全指导

在执行任何指令之前，请阅读本文档中的所有注意事项及安全声明。和/或 <http://support.intel.com/support/motherboards/server/safecert.htm> 上的 *Intel Server Boards and Server Chassis Safety Information* (《Intel 服务器主板与服务器机箱安全信息》)。

Warnings

Heed safety instructions: Before working with your server product, whether you are using this guide or any other resource as a reference, pay close attention to the safety instructions. You must adhere to the assembly instructions in this guide to ensure and maintain compliance with existing product certifications and approvals. Use only the described, regulated components specified in this guide. Use of other products / components will void the UL listing and other regulatory approvals of the product and will most likely result in noncompliance with product regulations in the region(s) in which the product is sold.

System power on/off: The power button DOES NOT turn off the system AC power. To remove power from system, you must unplug the AC power cord from the wall outlet. Make sure the AC power cord is unplugged before you open the chassis, add, or remove any components.

Hazardous conditions, devices and cables: Hazardous electrical conditions may be present on power, telephone, and communication cables. Turn off the server and disconnect the power cord, telecommunications systems, networks, and modems attached to the server before opening it. Otherwise, personal injury or equipment damage can result.

Electrostatic discharge (ESD) and ESD protection: ESD can damage disk drives, boards, and other parts. We recommend that you perform all procedures in this chapter only at an ESD workstation. If one is not available, provide some ESD protection by wearing an antistatic wrist strap attached to chassis ground any unpainted metal surface on your server when handling parts.

ESD and handling boards: Always handle boards carefully. They can be extremely sensitive to ESD. Hold boards only by their edges. After removing a board from its protective wrapper or from the server, place the board component side up on a grounded, static free surface. Use a conductive foam pad if available but not the board wrapper. Do not slide board over any surface.

Installing or removing jumpers: A jumper is a small plastic encased conductor that slips over two jumper pins. Some jumpers have a small tab on top that you can grip with your fingertips or with a pair of fine needle nosed pliers. If your jumpers do not have such a tab, take care when using needle nosed pliers to remove or install a jumper; grip the narrow sides of the jumper with the pliers, never the wide sides. Gripping the wide sides can damage the contacts inside the jumper, causing intermittent problems with the function controlled by that jumper. Take care to grip with, but not squeeze, the pliers or other tool you use to remove a jumper, or you may bend or break the pins on the board.

Contents

| | |
|---|------------|
| Safety Information | iii |
| Important Safety Instructions | iii |
| Wichtige Sicherheitshinweise | iii |
| Consignes de sécurité | iii |
| Instrucciones de seguridad importantes | iii |
| Warnings..... | iv |
| Disk on Module (DOM) Install Guide | 1 |
| Tools Needed | 1 |
| Kit Contents | 1 |
| DOM Installation Instructions | 1 |
| Prepare System | 1 |
| Remove Enclosure Cover | 2 |
| Remove Processor Air Duct | 4 |
| Remove PCI Riser Assembly | 5 |
| Install Replacement DOM | 6 |
| Install PCI Riser Assembly | 9 |
| Install Processor Air Duct | 10 |
| Close Enclosure Cover | 11 |
| Complete Setup | 11 |

Contents

List of Figures

| | |
|--|----|
| Figure 1. Unlatching Enclosure Cover..... | 2 |
| Figure 2. Removing Enclosure Cover | 3 |
| Figure 3. Removing Processor Air Duct..... | 4 |
| Figure 4. Removing PCI Riser Assembly from Chassis | 5 |
| Figure 5. Disconnecting Power Cable from DOM. | 6 |
| Figure 6. Removing Old DOM..... | 7 |
| Figure 7. Installing Replacement DOM | 7 |
| Figure 8. Connecting Power Cable to DOM..... | 8 |
| Figure 9. Installing PCI Riser Assembly into Chassis | 9 |
| Figure 10. Installing Processor Air Duct..... | 10 |
| Figure 11. Closing Enclosure Cover..... | 11 |

List of Figures

Disk on Module (DOM) Install Guide

The Intel® Storage System SSR212MA ships with a single 512-MB Disk on Module (DOM) installed directly to the server board's IDE connector. The DOM is a storage device based on flash memory technology, which emulates an ordinary magnetic hard disk drive.

Tools Needed

- Flat-head screwdriver

Kit Contents

DOM Kit (FXSDOM)

| Item | Quantity |
|------------------------------|----------|
| Disk on Module (DOM) | 1 |
| Disk on Module Install Guide | 1 |

DOM Installation Instructions

Prepare System

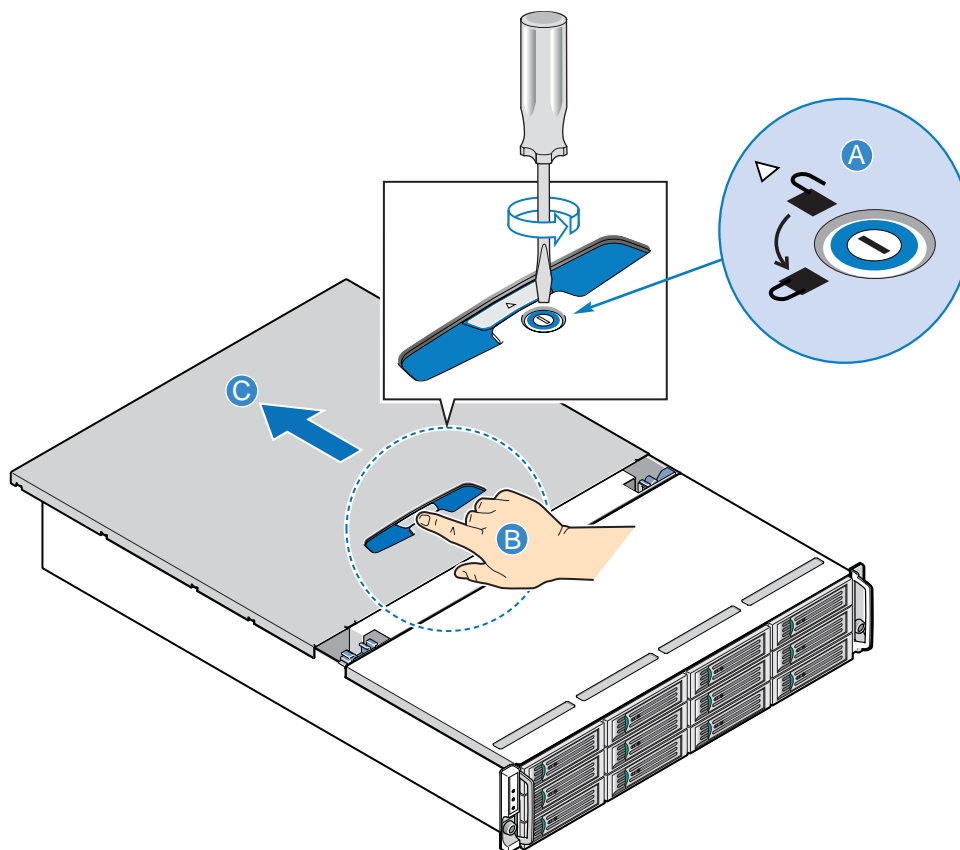
1. Read all caution and safety statements listed in this document before performing any of the steps. See the *Intel® Server Boards and Server Chassis Safety Information* document at <http://support.intel.com/support/motherboards/server/sb/cs-010770.htm> for a complete listing of all caution and safety statements.

Caution: *Before performing any maintenance on the system, back up the data. Follow the instructions in the Intel® Storage System Software User Manual for shutting down the system and deactivating the DOM.*

2. Turn off all peripheral devices connected to the storage system. Turn off the storage system.
3. Disconnect the AC power cord(s).
4. Remove the DOM from its protective packaging.

Remove Enclosure Cover

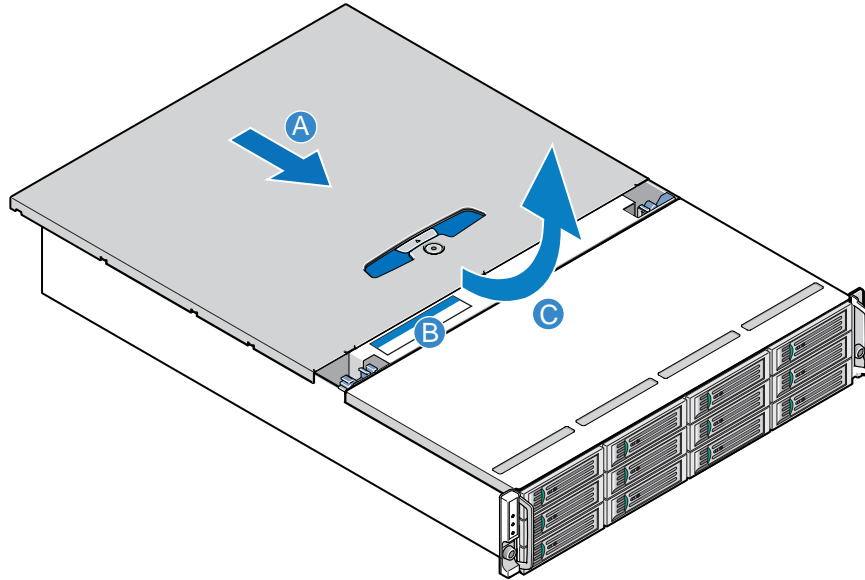
5. Release the lock by turning the screw (see letter “A” in the following figure) a quarter turn until the unlock symbol aligns with the notch on the cover. Press in on the palm latch (see letter “B”) and slide the enclosure cover back (see letter “C”) until it stops (about 2 inches).



TP01851

Figure 1. Unlatching Enclosure Cover

- Next, slide the enclosure cover forward (see letter “A” in the following figure) up to the blue lid removal zone displayed on the top of the cooling module (see letter “B”). Lift the enclosure cover (see letter “C”) to completely remove it from the chassis.

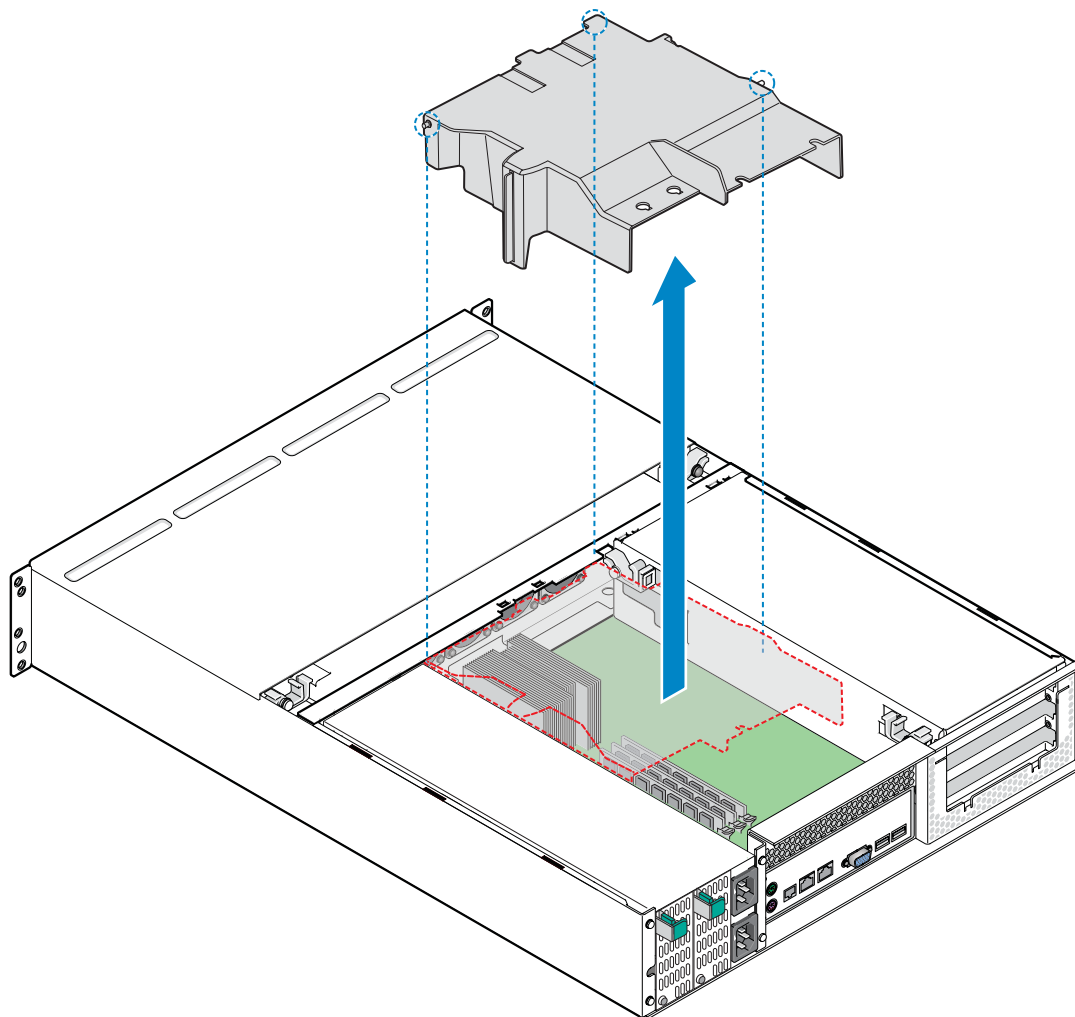


TP01827

Figure 2. Removing Enclosure Cover

Remove Processor Air Duct

7. Lift the processor air duct from its location over the processor socket(s).

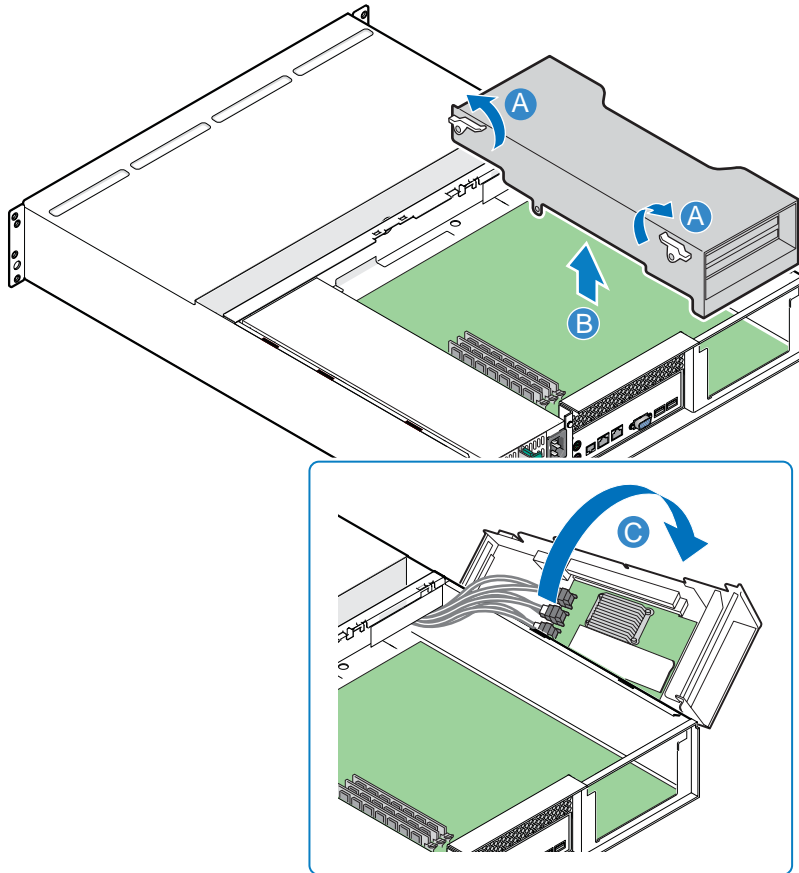


TP01856

Figure 3. Removing Processor Air Duct

Remove PCI Riser Assembly

8. Unlatch the two levers (see letter “A” in the following figure) on the PCI riser assembly and lift the assembly out of the chassis (see letter “B”). Lay the PCI riser assembly over on its side (see letter “C”). Be sure to support the PCI riser assembly so that the connectors on the PCI riser assembly and components on the PCI RAID controller card(s) are not rubbing against the sheet metal of the chassis.

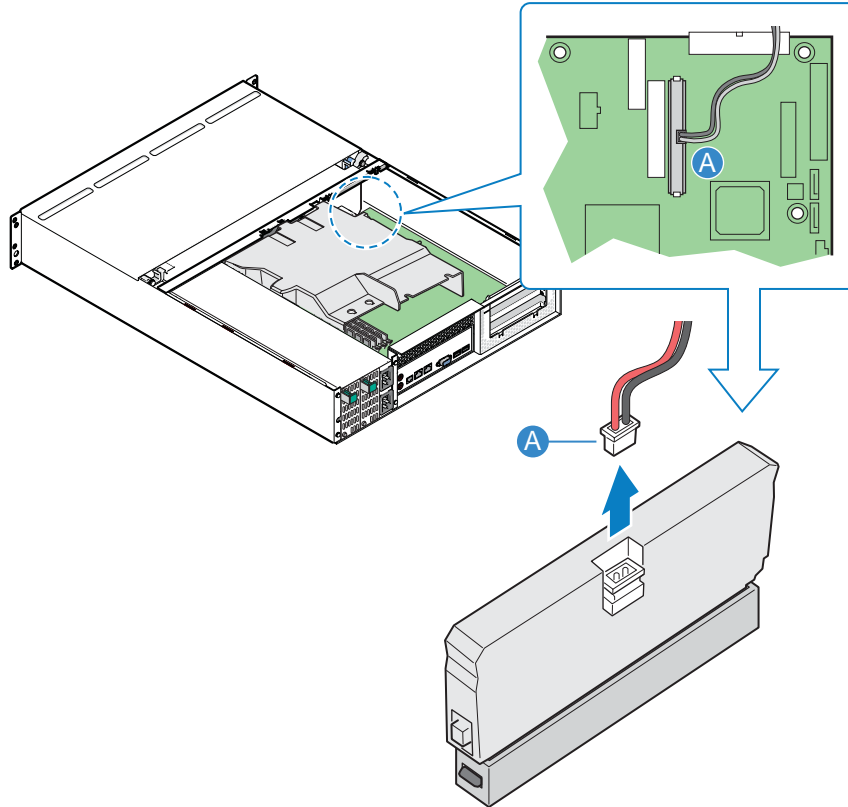


TP00879

Figure 4. Removing PCI Riser Assembly from Chassis

Install Replacement DOM

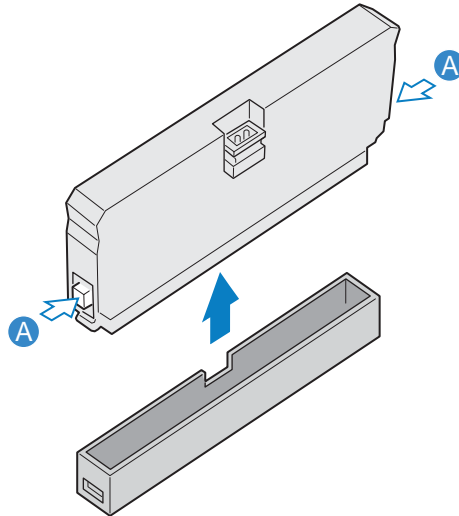
9. Disconnect the power cable from the old DOM (see letter “A” in the following figure)



TP01863

Figure 5. Disconnecting Power Cable from DOM.

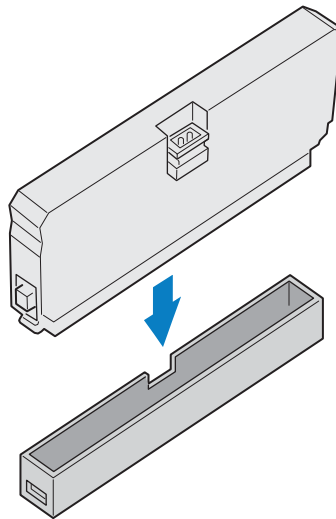
10. Remove the old DOM by pressing in on the latches on both sides of the DOM (see letter “A” in the following figure) and pull up to remove the DOM.



TP01864

Figure 6. Removing Old DOM

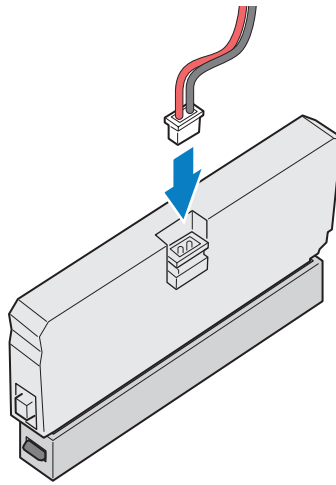
11. Install the replacement DOM to the server board's IDE connector. You should feel it snap into place.



TP01865

Figure 7. Installing Replacement DOM

12. Connect the power cable to the replacement DOM.

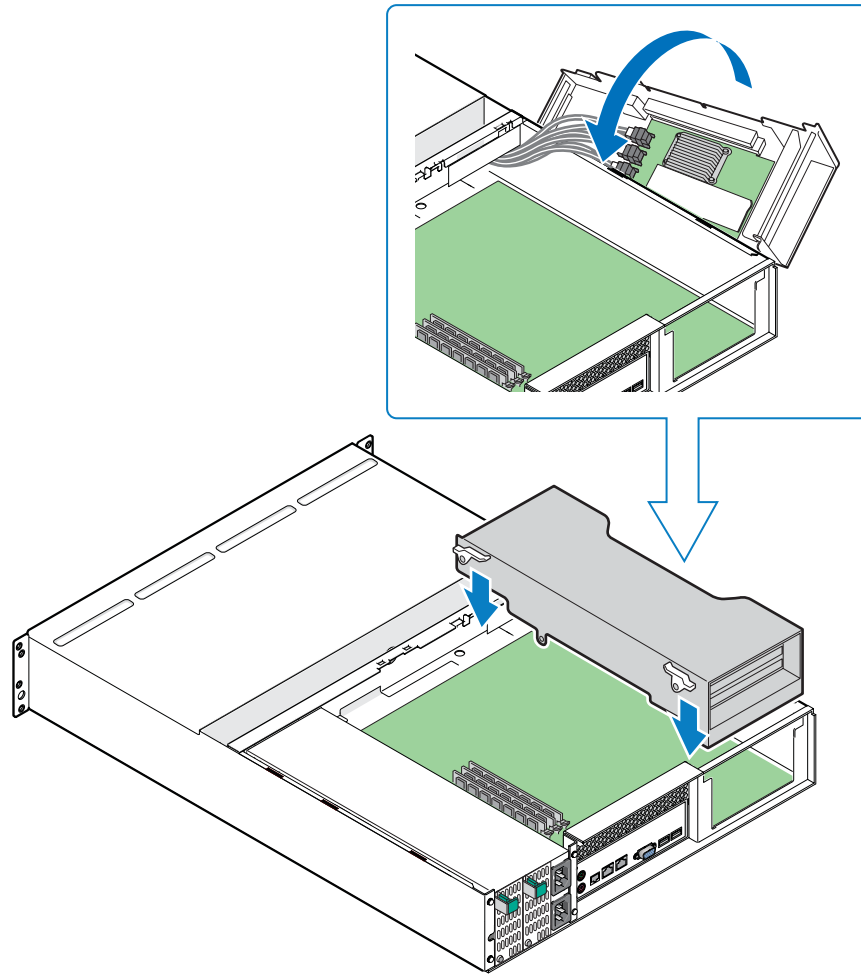


TP01866

Figure 8. Connecting Power Cable to DOM

Install PCI Riser Assembly

13. Install the PCI riser assembly by matching the hooks on the back of the PCI riser assembly with the notches on the cross bar and rear of the chassis. Guide the PCI riser assembly home by firmly gripping and sliding the assembly downwards until the riser card mates with the connector on the server board. The latches should lock into position once the PCI riser assembly is seated properly.

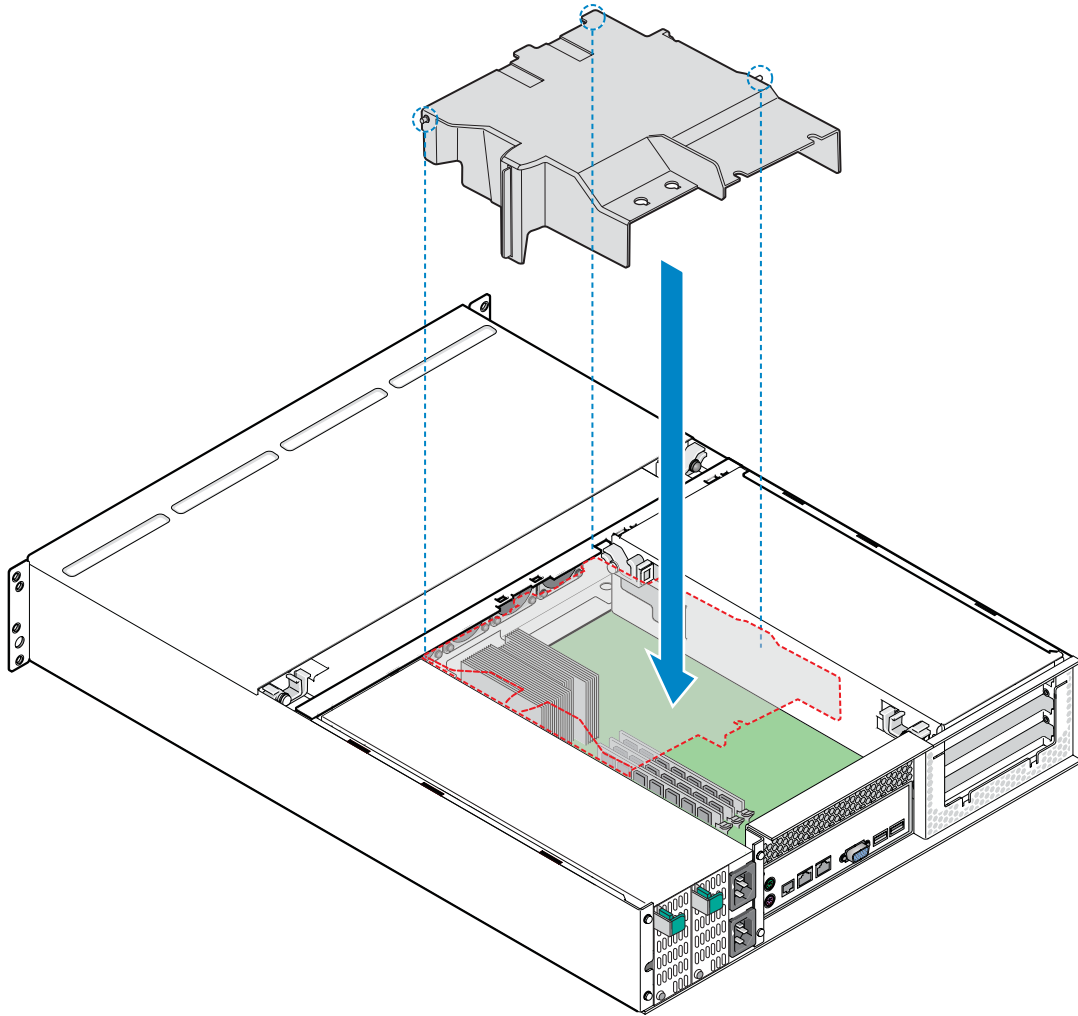


TP00876

Figure 9. Installing PCI Riser Assembly into Chassis

Install Processor Air Duct

14. Reinstall the processor air duct over the processor on the server board.

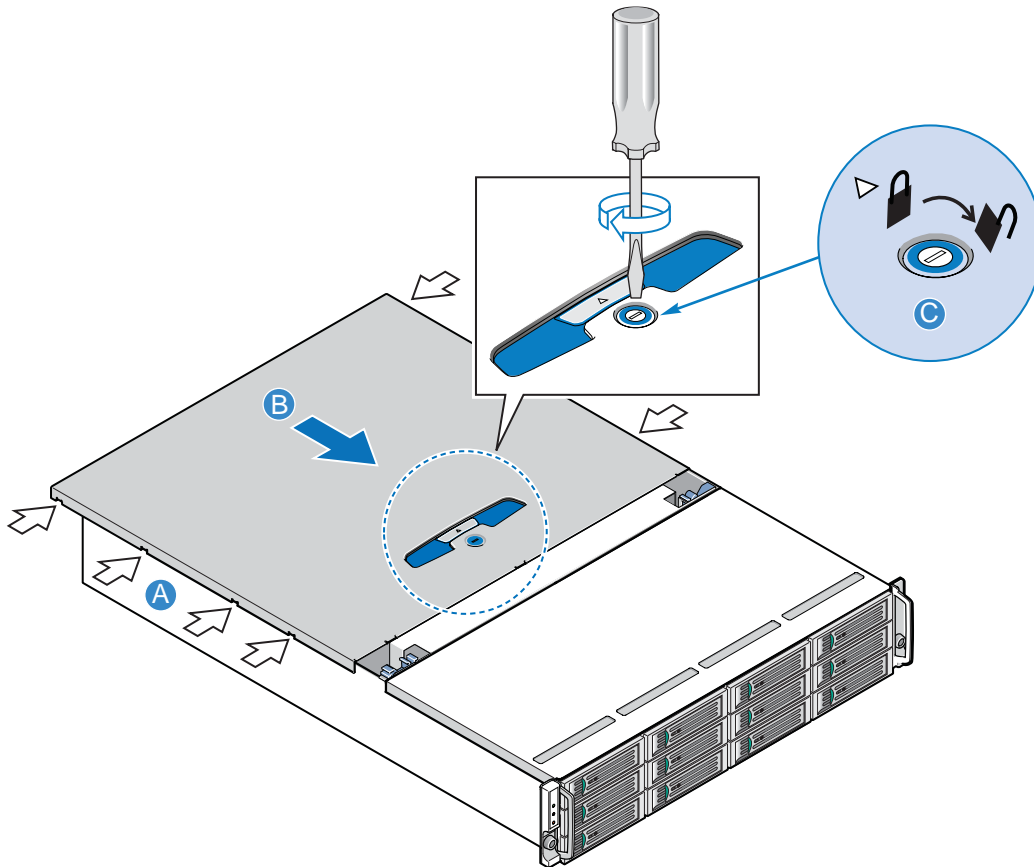


TP01855

Figure 10. Installing Processor Air Duct

Close Enclosure Cover

- Align the enclosure cover over the corresponding notches in the chassis (see letter “A” in the following figure). Slide the enclosure cover toward the front of the chassis (see letter “B”). With a screwdriver, secure the enclosure cover to the chassis by turning the lock (see letter “C”) a quarter turn until the lock symbol aligns with the notch on the cover.



TP01847

Figure 11. Closing Enclosure Cover

Complete Setup

- Re-connect all peripheral devices and the AC power cable. Power up the storage system.
- Refer to the *Intel® Storage System Software User Manual* for information on activating the DOM and updating the software.

