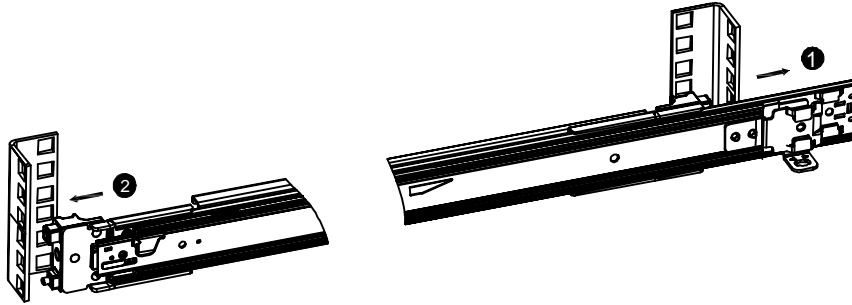


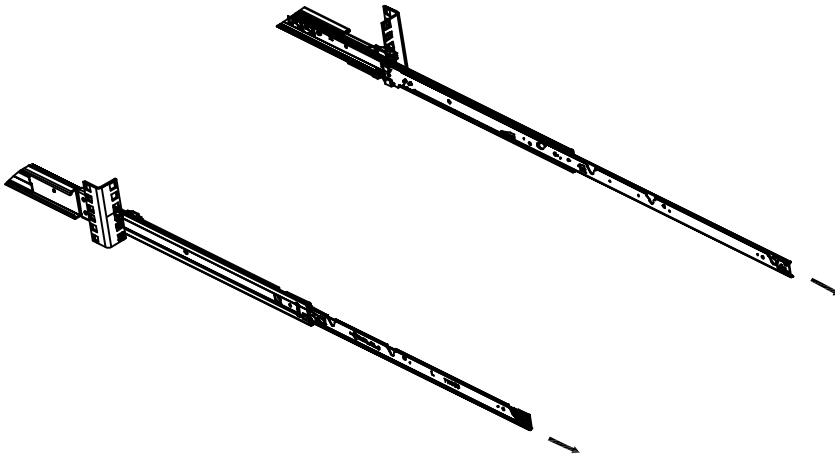
Rail Kit Installation

1



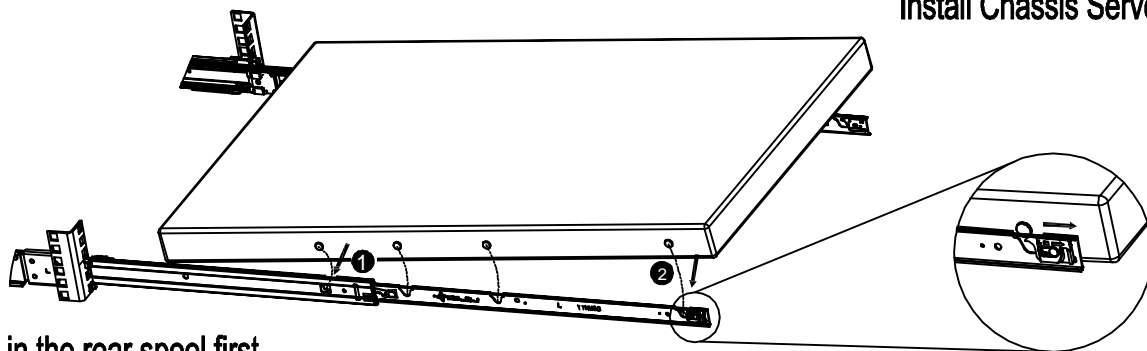
Install rail to rack

2



Full extend slide

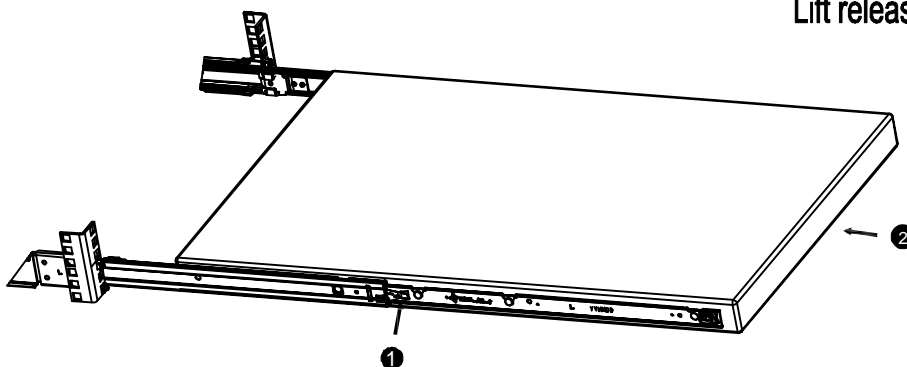
3



Install Chassis Server to Rail

Drop in the rear spool first
Spool

4



Lift release tab and push system into rack