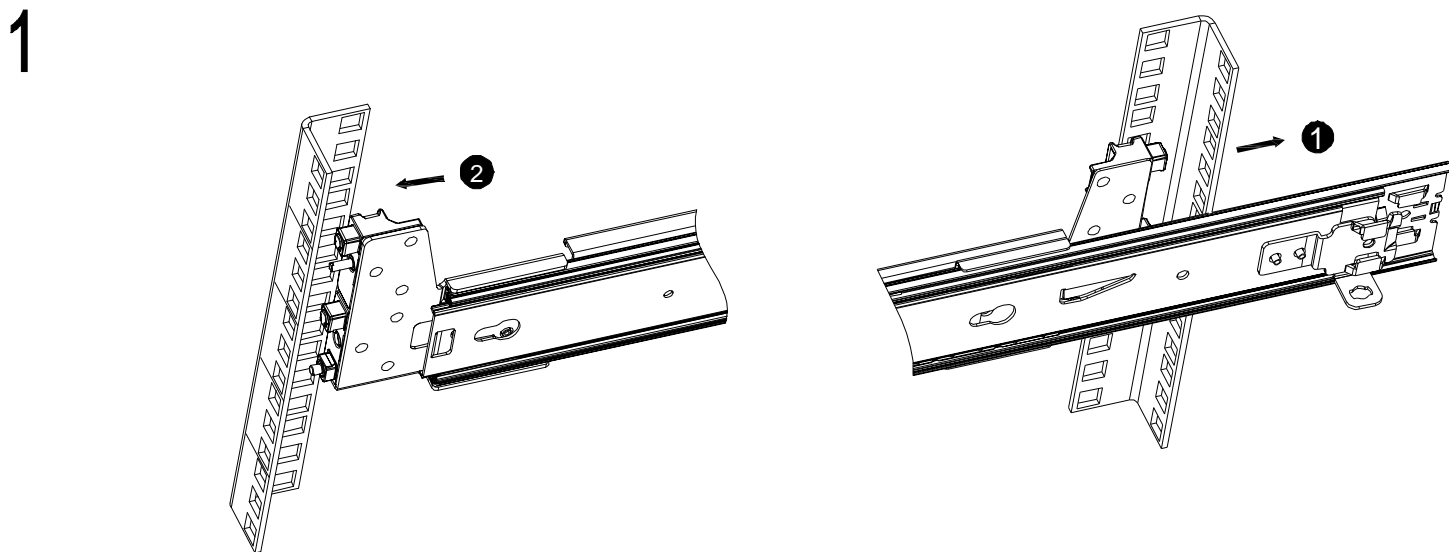
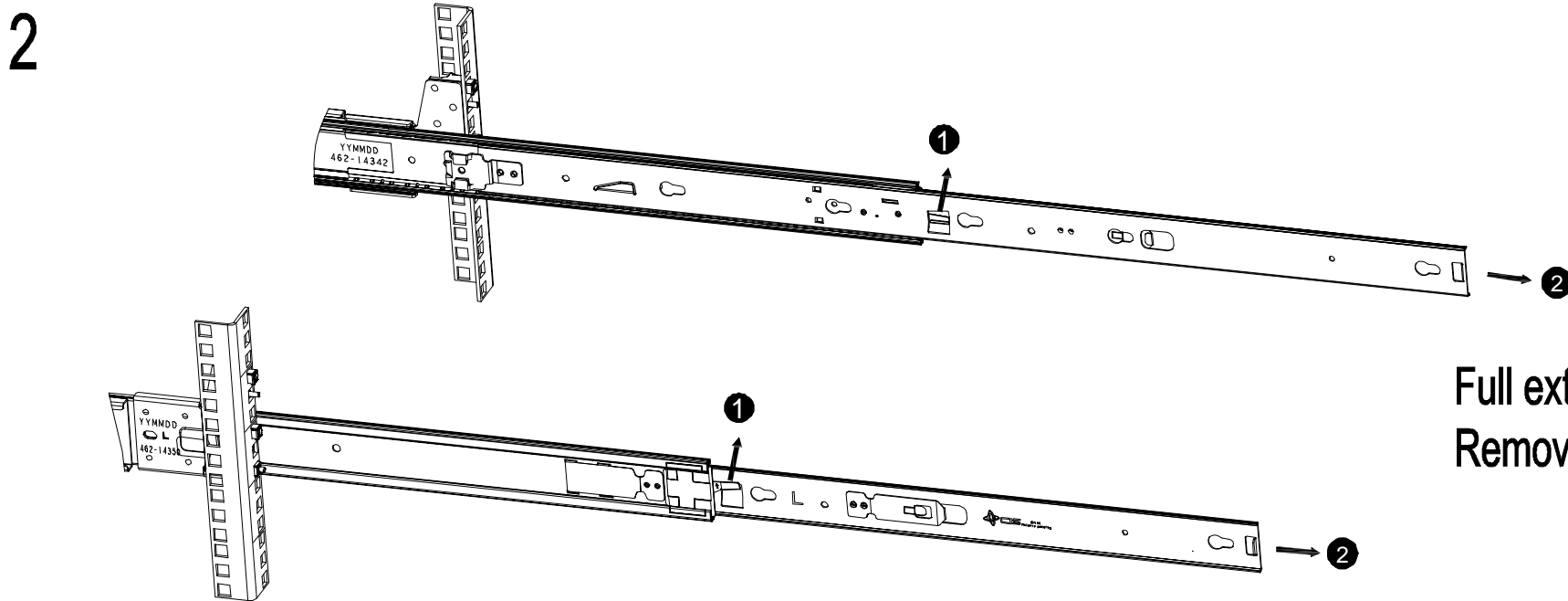


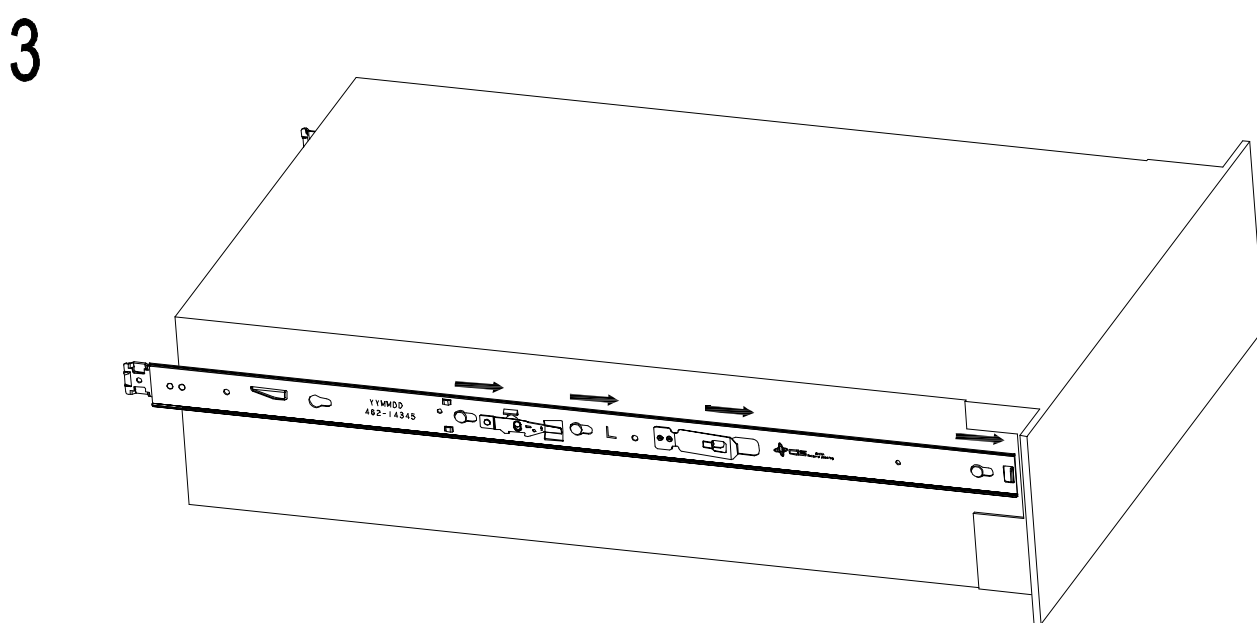
Rail Kit Installation



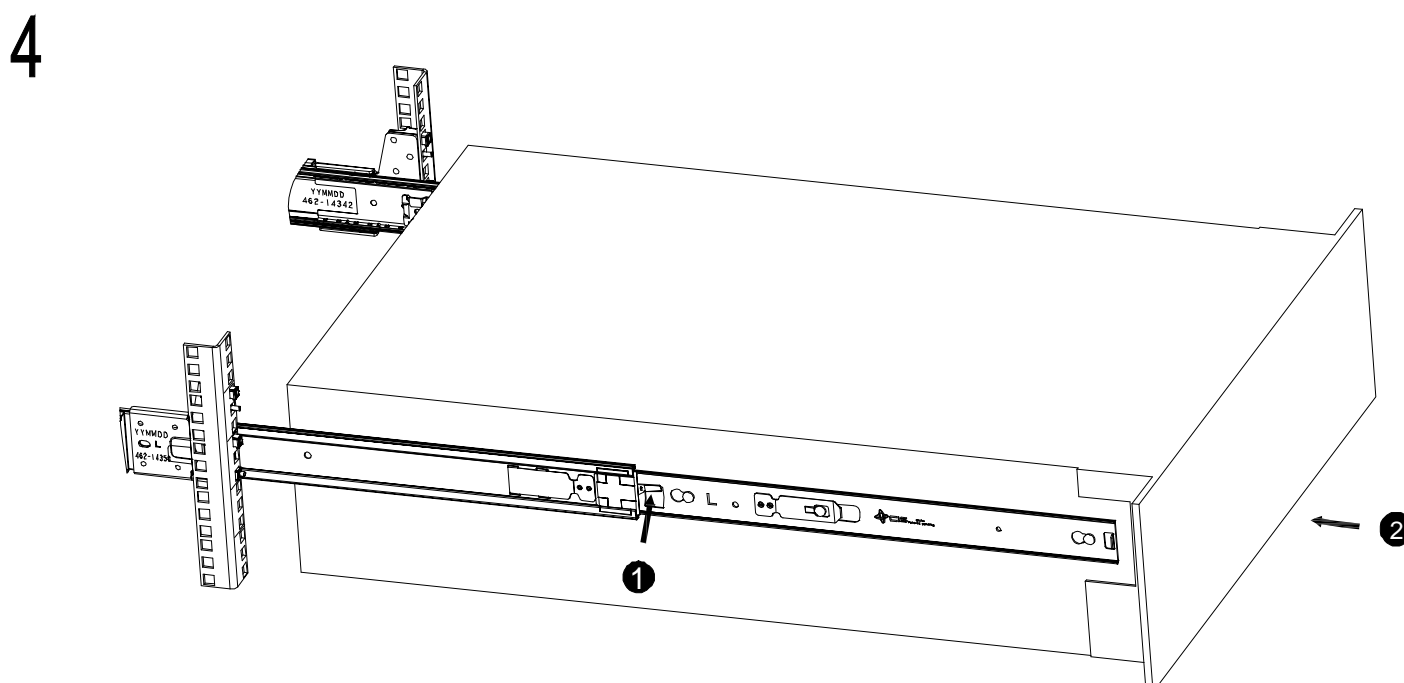
Install rail to rack



Full extend slide &
Remove chassis member



Install Chassis Server to
chassis member



Insert Chassis Server
Lift front lock and push system
into rack