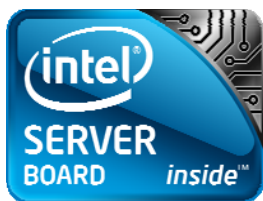


# Intel® Server Board S5000VCL

## *Technical Product Specification*

*Intel order number: D64569-007*



**Revision 2.3**

**May 2007**

**Enterprise Platforms and Services Division - Marketing**

## ***Revision History***

Date	Revision Number	Modifications
September 2006	1.0	Initial release.
November 2006	2.0	Added technical updates and SAS board information.
January 2007	2.1	Removed processor that is not supported by board; added Post-Code Diagnostic LED information.
September 2007	2.2	Updated product codes and processor information.
May 2010	2.3	Deleted CCC and CNCA.

## ***Disclaimers***

Information in this document is provided in connection with Intel® products. No license, express or implied, by estoppel or otherwise, to any intellectual property rights is granted by this document. Except as provided in Intel's Terms and Conditions of Sale for such products, Intel assumes no liability whatsoever, and Intel disclaims any express or implied warranty, relating to sale and/or use of Intel products including liability or warranties relating to fitness for a particular purpose, merchantability, or infringement of any patent, copyright or other intellectual property right. Intel products are not intended for use in medical, life saving, or life sustaining applications. Intel may make changes to specifications and product descriptions at any time, without notice.

Designers must not rely on the absence or characteristics of any features or instructions marked "reserved" or "undefined." Intel reserves these for future definition and shall have no responsibility whatsoever for conflicts or incompatibilities arising from future changes to them.

The Intel® Server Board S5000VCL may contain design defects or errors known as errata which may cause the product to deviate from published specifications. Current characterized errata are available on request.

Intel Corporation server baseboards support peripheral components and contain a number of high-density VLSI and power delivery components that need adequate airflow to cool. Intel's own chassis are designed and tested to meet the intended thermal requirements of these components when the fully integrated system is used together. It is the responsibility of the system integrator that chooses not to use Intel developed server building blocks to consult vendor datasheets and operating parameters to determine the amount of air flow required for their specific application and environmental conditions. Intel Corporation can not be held responsible if components fail or the server board does not operate correctly when used outside any of their published operating or non-operating limits.

Intel, Pentium, Itanium, and Xeon are trademarks or registered trademarks of Intel Corporation.

\*Other brands and names may be claimed as the property of others.

Copyright © Intel Corporation 2010.

## Table of Contents

<b>1</b>	<b>Introduction</b>	<b>1</b>
1.1	Server Board Use Disclaimer	1
<b>2</b>	<b>Product Overview</b>	<b>2</b>
2.1	Feature Set	2
2.2	Server Board Layout	3
2.2.1	Intel® Light-Guided Diagnostics LED Locations	4
2.2.2	External I/O Connector Locations	5
<b>3</b>	<b>Functional Architecture</b>	<b>6</b>
3.1	Intel® 5000V Memory Controller Hub (MCH)	8
3.1.1	System Bus Interface	8
3.1.2	Processor Support	8
3.1.3	Memory Sub-system	10
3.2	Intel® 6321ESB I/O Controller Hub	12
3.2.1	PCI Sub-system	13
3.2.2	Serial ATA Support	13
3.2.3	Parallel ATA (PATA) Support	14
3.2.4	USB 2.0 Support	14
3.3	Video Support	14
3.4	Network Interface Controller (NIC)	15
3.4.1	Intel® I/O Acceleration Technology	16
3.5	Super I/O	16
<b>4</b>	<b>Platform Management</b>	<b>19</b>
<b>5</b>	<b>Connector/Header Locations and Pin-outs</b>	<b>20</b>
5.1	Board Connectors	20
5.2	Power Connectors	21
5.3	Riser Card Slots	22
5.4	SSI Control Panel Connector	22
5.5	I/O Connector Pinout Definition	23
5.5.1	VGA Connector	23
5.5.2	NIC Connectors	23
5.5.3	IDE Connector	24
5.5.4	SATA Connectors	25
5.5.5	Serial Port Connectors	26
5.5.6	Keyboard and Mouse Connector	26
5.5.7	USB Connector	27
5.6	Fan Headers	28
<b>6</b>	<b>Jumper Block Settings</b>	<b>29</b>
6.1	Recovery Jumper Blocks	29
6.1.1	CMOS Clear and Password Reset Usage Procedure	30

6.1.2	BMC Force Update Procedure .....	30
6.2	BIOS Select Jumper .....	31
6.3	PCI Express* Select Jumper .....	31
<b>7.</b>	<b>Intel® Light Guided Diagnostics .....</b>	<b>32</b>
7.1	5-Volt Standby System Status/Fault LED .....	32
7.2	DIMM LEDs .....	34
7.3	Post Code Diagnostic LEDs .....	35
<b>8.</b>	<b>Power and Environmental Specifications .....</b>	<b>36</b>
8.1	Intel® Server Board S5000VCL Design Specifications .....	36
8.2	Baseboard Power Requirements .....	37
8.2.1	Processor Power Support .....	37
8.2.2	Power Supply Output Requirements .....	37
8.2.3	Turn On No Load Operation .....	38
8.2.4	Grounding .....	39
8.2.5	Standby Outputs .....	39
8.2.6	Remote Sense .....	39
8.2.7	Voltage Regulation .....	39
8.2.8	Dynamic Loading .....	40
8.2.9	Capacitive Loading .....	40
8.2.10	Closed-Loop Stability .....	40
8.2.11	Common Mode Noise .....	40
8.2.12	Ripple/Noise .....	41
8.2.13	Soft Starting .....	41
8.2.14	Timing Requirements .....	41
8.2.15	Residual Voltage Immunity in Standby Mode .....	43
<b>9.</b>	<b>Regulatory and Certification Information .....</b>	<b>44</b>
9.1	Product Regulatory Compliance .....	44
9.1.1	Product Safety Compliance .....	44
9.1.2	Product EMC Compliance – Class A Compliance .....	45
9.1.3	Certifications/Registrations/Declarations .....	45
9.2	Product Regulatory Compliance Markings .....	46
9.3	Electromagnetic Compatibility Notices .....	47
9.3.1	FCC Verification Statement (USA) .....	47
9.3.2	ICES-003 (Canada) .....	48
9.3.3	Europe (CE Declaration of Conformity) .....	48
9.3.4	VCCI (Japan) .....	48
9.3.5	BSMI (Taiwan) .....	48
9.3.6	RRL (Korea) .....	49
9.4	Restriction of Hazardous Substances (RoHS) Compliance .....	49
	<b>Appendix A: Integration and Usage Tips .....</b>	<b>50</b>
	<b>Appendix B: Sensor Tables .....</b>	<b>51</b>

**Appendix C: POST Error Messages and Handling ..... 53**  
**Appendix D: POST Code Diagnostic LED Decoder ..... 56**  
**Appendix E: Supported Intel® Server Chassis ..... 60**  
**Glossary ..... 62**  
**Reference Documents ..... 65**

## List of Figures

Figure 1. Components and Connector Location Diagram.....	3
Figure 2. Intel® Light-Guided Diagnostics LED Locations.....	4
Figure 3. ATX I/O Layout .....	5
Figure 4. Functional Block Diagram.....	7
Figure 5. CEK Processor Mounting .....	10
Figure 6. Memory Layout.....	10
Figure 7. SMBUS Block Diagram.....	19
Figure 8. Recovery Jumper Blocks (J3A1, J1C2, J1C4).....	29
Figure 9. System Status/Fault LED Location .....	32
Figure 10. DIMM LED Locations.....	34
Figure 11. POST Code Diagnostic LED Location .....	35
Figure 12. Output Voltage Timing .....	42
Figure 13. Turn On/Off Timing (Power Supply Signals).....	43
Figure 14. Diagnostic LED Placement Diagram .....	56
Figure 15. Intel® Server System SR1530CL/SR1530CLR.....	60
Figure 16. Intel® Server System SR1530HCL/SR1530HCLR.....	61

## List of Tables

Table 1. Processor Support Matrix .....	9
Table 2. I <sup>2</sup> C Addresses for Memory Module SMB .....	11
Table 3. Maximum Six-DIMM System Memory Configuration – x4 Single Rank .....	11
Table 4. Maximum Six-DIMM System Memory Configuration – x8 Dual Rank.....	11
Table 5. PCI Bus Segment Characteristics.....	13
Table 6. Video Modes .....	15
Table 7. NIC2 Status LED.....	16
Table 8. Serial A Port Header Pin-out (External DB9) .....	17
Table 9. Internal Serial B Port Header Pin-out.....	17
Table 10. Board Connector Matrix .....	20
Table 11. Power Connector Pin-out (J3K3) .....	21
Table 12. 12V Power Connector Pin-out (J9E1).....	21
Table 13. Power Supply Signal Connector Pin-out (J9C1).....	22
Table 14. Front Panel SSI Standard 24-pin Connector Pin-out (J2K2) .....	22
Table 15. VGA Connector Pin-out (J7A1).....	23
Table 16. RJ-45 10/100/1000 NIC Connector Pin-out (JA6A1, JA5A1).....	23
Table 17. 44-pin IDE Connector Pin-out (J2K5) .....	24
Table 18. SATA Connector Pin-out (J1J2, J1J1) .....	25
Table 19. SATA/SAS Connector Pin-out (J1G2, J1G1, J1F1, J1E4).....	25
Table 20. 9-pin Serial Header Pin-out (J8A1, J1A1).....	26
Table 21. Stacked PS/2 Keyboard and Mouse Port Pin-out (J9A2) .....	26
Table 22. External USB Connector Pin-out (J9A2).....	27
Table 23. Internal USB Connector Pin-out (J3K1) .....	27
Table 24. CPU Fan Connector Pin-out (J2K3, J2K4) .....	28
Table 25. PCI Fan Connector Pin-out (J1K1) .....	28
Table 26. Recovery Jumpers (J3A1, J1C1, J1C2).....	29
Table 27. BIOS Select Jumper (J3A2) .....	31
Table 28. PCI Express* x4/x8 Select Jumper (J1E1) .....	31
Table 29. 5V Standby System Status LED Indicators.....	33
Table 30. Server Board Design Specifications .....	36
Table 31. Dual-Core Intel® Xeon® processor 5100 series and Quad-Core Intel® Xeon® processor 5300 series TDP Guidelines.....	37
Table 32. 400W Load Ratings .....	38
Table 33. No-load Operating Range .....	38
Table 34. Voltage Regulation Limits .....	39
Table 35. Transient Load Requirements.....	40
Table 36. Capacitive Loading Conditions .....	40
Table 37. Ripple and Noise.....	41
Table 38. Output Voltage Timing .....	41

Table 39. Turn On/Off Timing ..... 42  
Table 40. POST Error Messages and Handling..... 53  
Table 41. POST Error Beep Codes ..... 55  
Table 42. BMC Beep Codes ..... 55  
Table 43. Example POST Progress Code LED ..... 56  
Table 44. Diagnostic LED POST Code Decoder ..... 57



**< This page intentionally left blank. >**

# 1 Introduction

---

This Technical Product Specification (TPS) provides board-specific information about the features, functionality, and high-level architecture of the Intel® Server Board S5000VCL. See the *Intel® 5000 Series Chipsets Server Board Family Datasheet* more information about board sub-systems, including chipset, BIOS, system management, and system management software.

There are four product codes of the Intel Server Board S5000VCL:

- SS5000VCL
- S5000VCLSASBB
- BBS5000VCLR
- BBS5000VCLSASR

All references to the Intel® Server Board S5000VCL refer to all product codes listed above, unless noted otherwise.

## 1.1 Server Board Use Disclaimer

Intel Corporation server boards support add-in peripherals and contain high-density VLSI and power delivery components that need adequate airflow to cool. Intel ensures through its own chassis development and testing that when Intel server building blocks are used together, the fully integrated system will meet the intended thermal requirements of these components. It is the responsibility of the system integrator who chooses not to use Intel developed server building blocks to consult vendor datasheets and operating parameters to determine the amount of air flow required for their specific application and environmental conditions. Intel Corporation cannot be held responsible if components fail or the server board does not operate correctly when used outside any of their published operating or non-operating limits.

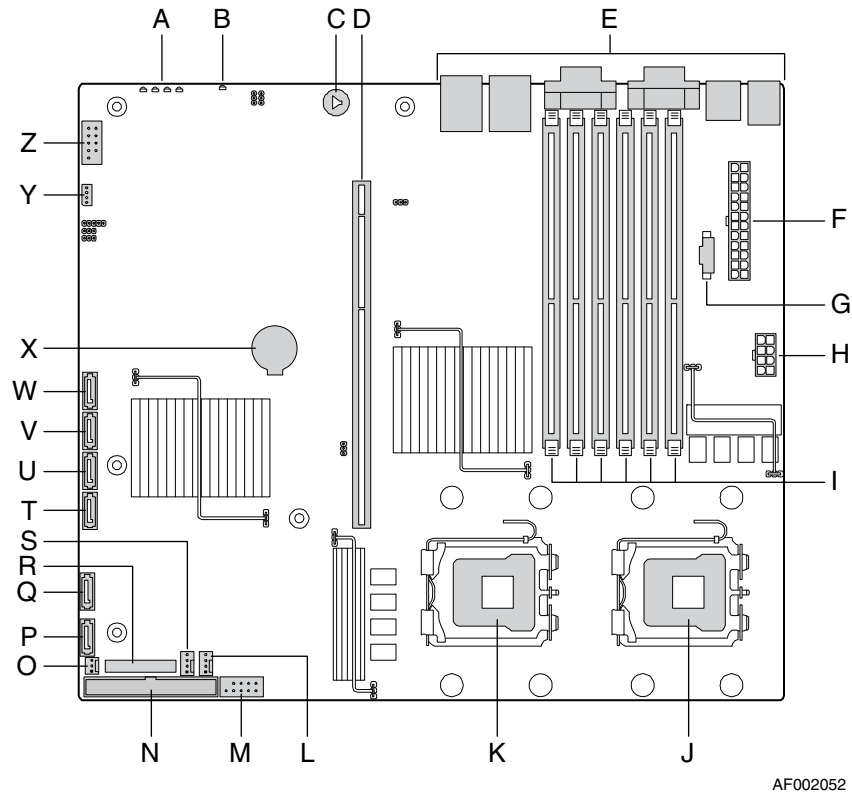
## 2. Product Overview

The Intel® Server Board S5000VCL is a monolithic printed circuit boards that support the high-density 1U server market.

### 2.1 Feature Set

Feature	Description
Processors	771-pin LGA sockets supporting one or two Dual-Core Intel® Xeon® processors 5100 series and low-voltage Quad-Core® Xeon® processors 5300 series, with system bus speeds of 1066 MHz or 1333 MHz. For a complete list of supported processors, see the following link: <a href="http://support.intel.com/support/motherboards/server/S5000VCL">http://support.intel.com/support/motherboards/server/S5000VCL</a>
Memory	Six keyed DIMM slots support fully buffered DIMM technology (FBDIMM) memory. 240-pin DDR2-677 FBDIMMs must be used.
Chipset	Intel® 5000V Chipset family, which includes the following components: <ul style="list-style-type: none"> <li>▪ Intel® 5000V Memory Controller Hub</li> <li>▪ Intel® 6321ESB I/O Controller Hub</li> </ul>
On-board Connectors/Headers	External connections: <ul style="list-style-type: none"> <li>▪ Stacked PS/2* ports for keyboard and mouse</li> <li>▪ Two RJ45 NIC connectors for 10/100/1000 Mb connections</li> <li>▪ Two USB 2.0 ports</li> <li>▪ Video connector</li> <li>▪ Com 1 or Serial A (DB9)</li> </ul> Internal connectors/headers: <ul style="list-style-type: none"> <li>▪ One USB port header, capable of providing two USB 2.0 ports</li> <li>▪ One DH10 Serial B header</li> <li>▪ Six SATA ports or four SAS ports via the Intel® 6321ESB I/O Controller Hub. These ports support 3Gb/s and integrated SW RAID 0 or 1</li> <li>▪ One 40-pin (power + I/O) ATA/100 connector for optical drive support</li> <li>▪ SSI-compliant 24-pin control panel header</li> <li>▪ SSI-compliant 24-pin main power connector support the ATX-12 V standard on the first 20 pins</li> <li>▪ 8-pin +12 V processor power connector</li> </ul>
Add-in PCI, PCI-X*, PCI Express* Cards	One PCI super-slot that will support one 1U riser card with one PCI-X* and one PCI Express* connectors
On-board Video	ATI* ES1000 video controller with 16 MB DDR SDRAM
On-board Hard Drive Controller	Six 3 Gb/s SATA ports, or four SAS ports Intel® Embedded Server RAID Technology II with RAID levels 0, 1, 10
LAN	Two 10/100/1000 NICs supporting Intel® I/O Acceleration Technology
System Fans	Two CPU 4-pin fan headers supporting two system blowers and one 3-pin fan header supporting a system fan
System Management	Support for Intel® System Management Software

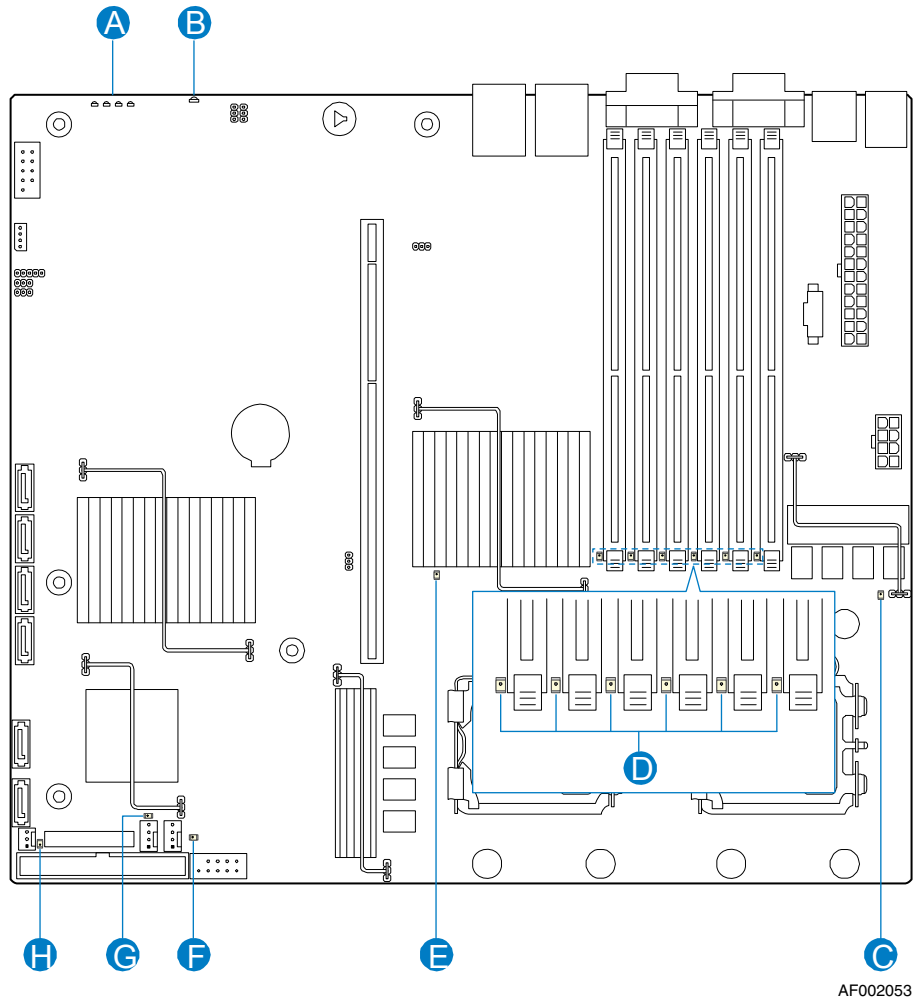
## 2.2 Server Board Layout



**Figure 1. Components and Connector Location Diagram**

Description		Description	
A	Post code Diagnostic LEDs	O	System Fan Header
B	System Fault/Status LED	P	SATA 0
C	Speaker	Q	SATA 1
D	Super Slot (Slot 6)	R	SSI 24-pin Control Panel Header
E	External IO Connectors	S	CPU 1 Fan Header
F	Main Power Connector	T	SATA 2/SAS 0
G	Power Supply Auxiliary Connector	U	SATA 3/SAS 1
H	CPU Power Connector	V	SATA 4/SAS 2
I	FBDIMM Slots	W	SATA 5/SAS 3
J	CPU Socket 1	X	Battery
K	CPU Socket 2	Y	SATA SGPIO
L	CPU 2 Fan Header	Z	Serial B Port Header
M	Dual Port USB 2.0 Header	Not shown	SAS GPIO (SAS version of the server board only)
N	Primary IDE Connector		

### 2.2.1 Intel® Light-Guided Diagnostics LED Locations

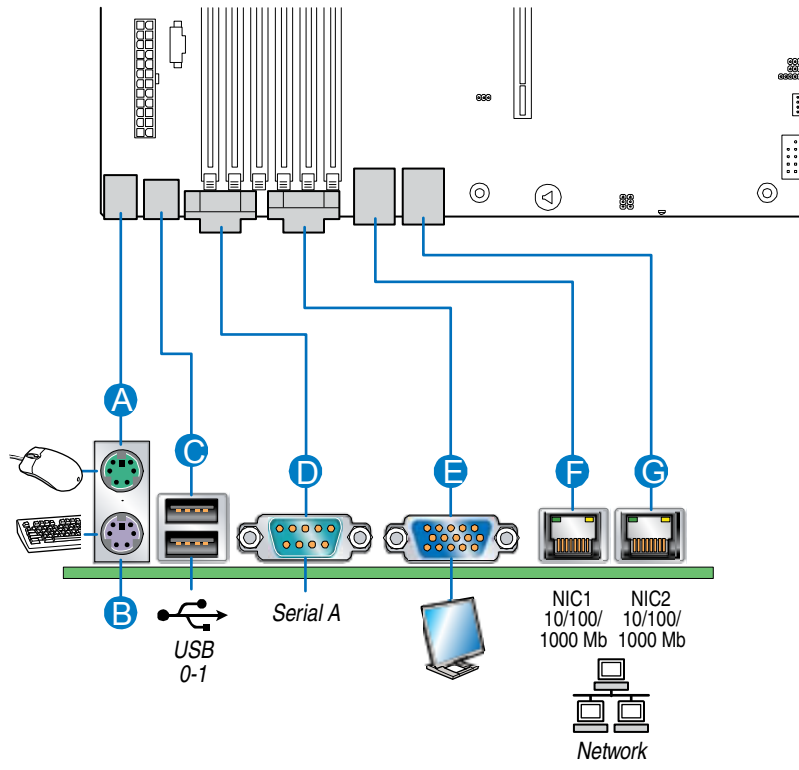


AF002053

	Description		Description
A	Post-Code Diagnostic LEDs	E	CPU 2 Fan Fault LED
B	System Fault/Status LED	F	CPU 1 Fan Fault LED
C	CPU 1 Fault LED	G	System Fan Fault LED
D	DIMM Fault LEDs	H	5 VSB LED
E	CPU 2 Fault LED		

**Figure 2. Intel® Light-Guided Diagnostics LED Locations**

### 2.2.2 External I/O Connector Locations



AF001640

Figure 3. ATX I/O Layout

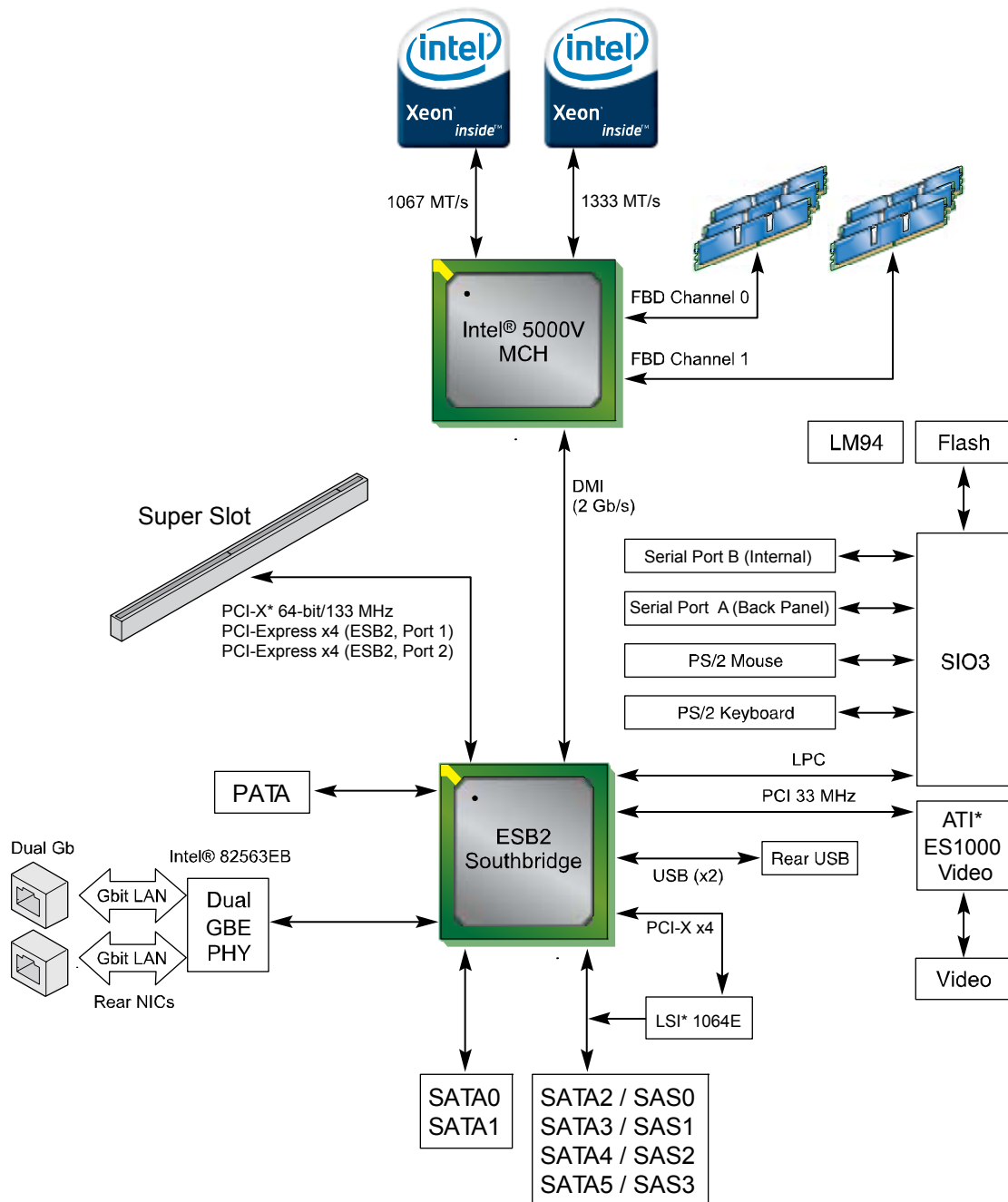
## 3. Functional Architecture

---

The architecture and design of the Intel® Server Board S5000VCL is based on the Intel® 5000V Chipset. The chipset is for systems based on the Dual-Core Intel® Xeon® processor 5100 series and low-voltage Quad-Core Intel® Xeon® processor 5300 series with system bus speeds of 1067 MHz and 1333 MHz.

The chipset has two main components: the Intel® 5000V Memory Controller Hub (MCH) for the host bridge and the Intel® 6321ESB I/O Controller Hub for the I/O subsystem.

This chapter provides a high-level description of the functionality associated with each chipset component and the architectural blocks that make up this server board. For in depth information on each of the chipset components and each of the functional architecture blocks, see the *Intel® 5000 Series Chipsets Server Board Family Datasheet*.



AF001009

Figure 4. Functional Block Diagram



## 3.1 Intel® 5000V Memory Controller Hub (MCH)

The memory controller hub (MCH) is a single 1432 pin FCBGA package that includes these core platform functions:

- System bus interface for the processor sub-system
- Memory controller
- PCI Express\* ports including the enterprise south bridge interface (ESI)
- FBD thermal management
- SMBUS interface

### 3.1.1 System Bus Interface

The MCH is configured for symmetric multi-processing across two independent front side bus interfaces that connect to the processors. Each front side bus on the MCH uses a 64-bit wide 1066- or 1333-MHz data bus. The 1333-MHz data bus can transfer data at up to 10.66 GB/s. The MCH supports a 36-bit wide address bus, capable of addressing up to 64 GB of memory. The MCH is the priority agent for both front side bus interfaces, and is optimized for one processor on each bus.

### 3.1.2 Processor Support

The server board supports one or two Dual-Core Intel® Xeon® processors 5100 series or low voltage Quad-Core Intel® Xeon® processor 5300 series, with system bus speeds of 1066 MHz, and 1333 MHz, and core frequencies starting at 1.6 GHz. Previous generations of the Intel® Xeon® processor are not supported.

For a complete list of supported processors, see the following link:

<http://support.intel.com/support/motherboards/server/S5000VCL>

---

**Note:** Only Dual-Core Intel® Xeon® processors 5100 series or low-voltage Quad-Core Intel® Xeon® processor 5300 series, that support system bus speeds of 1066 MHz, and 1333 MHz are supported.

---

**Table 1. Processor Support Matrix**

	System Bus Speed	Core Frequency	Support
Intel® Xeon® processor	533 MHz	All	No
	800 Mhz	All	No
	667 MHz	All	No
Dual-Core Intel® Xeon® processor 5100 series	1066 MHz	1.60 GHz	<b>Yes</b>
	1066 MHz	1.86 GHz	<b>Yes</b>
	1333 MHz	2.00 GHz	<b>Yes</b>
	1333 MHz	2.33 GHz	<b>Yes</b>
	1333 MHz	2.66 GHz	<b>Yes</b>
	1333 MHz	3.00 GHz	<b>Yes</b>
Low-Voltage Quad-Core Intel® Xeon® processor 5300 series	1066 MHz	1.60 GHz	<b>Yes</b>
	1066 MHz	1.86 GHz	<b>Yes</b>
	1333 MHz	2.00 GHz	<b>Yes</b>
	1333 MHz	2.33 GHz	<b>Yes</b>

### 3.1.2.1 Processor Population Rules

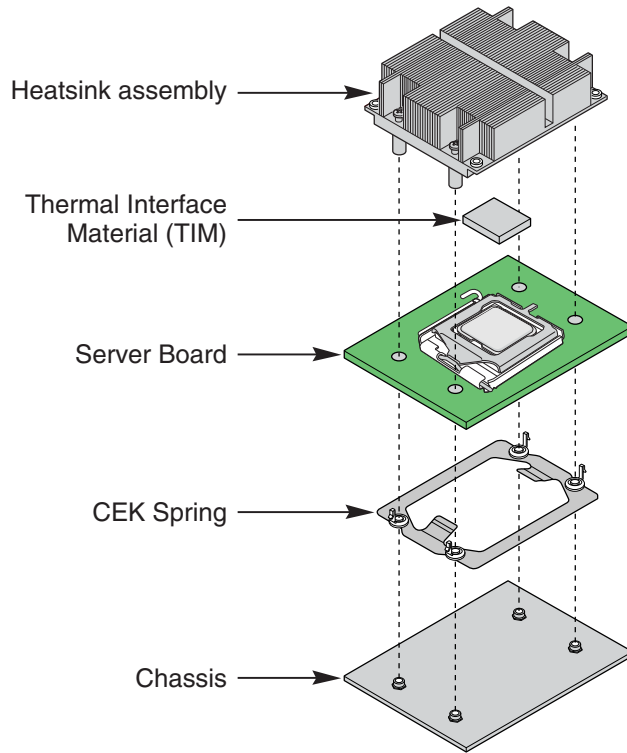
When two processors are installed, both must be of identical revision, core voltage, and bus/core speed. When only one processor is installed, it must be in the socket labeled CPU1. The other socket must be empty.

The board provides up to 90A max, 70A TDC per processor. Processors with higher current requirements are not supported.

### 3.1.2.2 Common Enabling Kit (CEK) Design Support

The server board complies with Intel's common enabling kit (CEK) processor mounting and heat sink retention solution. The server board ships with a CEK spring snapped onto the underside of the server board, beneath each processor socket. The heat sink attaches to the CEK, over the top of the processor and the thermal interface material (TIM). See the figure below for the stacking order of the chassis, CEK spring, server board, TIM, and heat sink.

The CEK spring is removable, allowing for the use of non-Intel heat sink retention solutions.

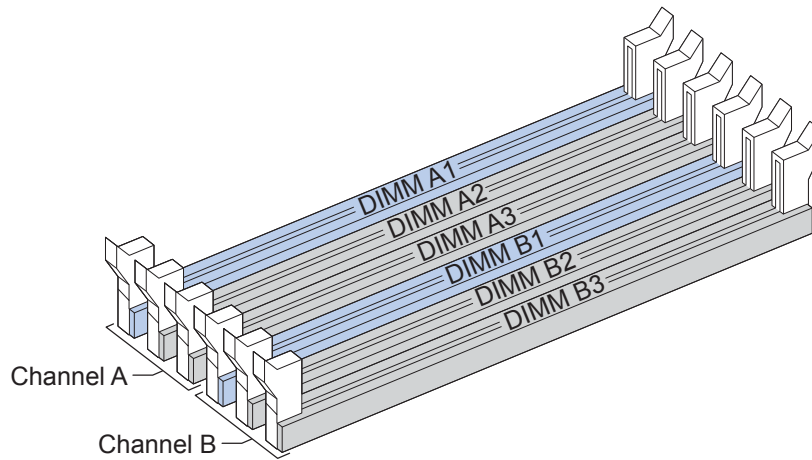


AF001010

**Figure 5. CEK Processor Mounting**

### 3.1.3 Memory Sub-system

The MCH masters two fully buffered DIMM (FBDIMM) memory channels. FBDIMM memory utilizes a narrow high-speed frame-oriented interface referred to as a channel. The two channels are routed to six DIMM slots and support registered DDR2-667 FBDIMM memory (stacked or unstacked). Peak FBDIMM memory data bandwidth in dual channel mode is 8.0GB/s (2x4.0 GB/s) with DDR2-667/PC2-5300 (3.0 ns at CL5).



AF001011

**Figure 6. Memory Layout**

To boot the system, the system BIOS uses a dedicated I<sup>2</sup>C bus to retrieve DIMM information needed to program the MCH memory registers.

**Table 2. I<sup>2</sup>C Addresses for Memory Module SMB**

Device	Address
DIMM A1	0xA0
DIMM A2	0xA2
DIMM A3	A4
DIMM B1	A0
DIMM B2	A2
DIMM B3	A4

### 3.1.3.1 Supported Memory

Up to six DDR2-667 fully-buffered DIMMs (FBD memory) can be installed.

**Table 3. Maximum Six-DIMM System Memory Configuration – x4 Single Rank**

DRAM Technology x4 Single Rank	Maximum Capacity Non-Mirrored Mode
256 Mb	1.5 GB
512 Mb	3 GB
1024 Mb	6 GB
2048 Mb	12 GB

**Table 4. Maximum Six-DIMM System Memory Configuration – x8 Dual Rank**

DRAM Technology x8 Dual Rank	Maximum Capacity Non-Mirrored Mode
256 Mb	1.5 GB
512 Mb	3 GB
1024 Mb	6 GB
2048 Mb	12 GB

---

**Note:** *DDR2 DIMMs that are not fully buffered are NOT supported. See the Intel® Server Board S5000VCL Tested Memory List for a list of supported memory.*

---

### 3.1.3.2 DIMM Population Rules and Supported DIMM Configurations

DIMM population rules depend on the operating mode of the memory controller. The operating mode is determined by the number of DIMMs installed. DIMMs must be populated in pairs in DIMM slot order: A1 & B1, A2 & B2. DIMMs within a pair must be identical with respect to size, speed, and organization, but DIMM capacities can be different across different DIMM pairs.

---

**Note:** *The server board supports single DIMM mode operation. Intel will only validate and support this configuration with a single 512 MB x8 FBDIMM installed in DIMM slot A1.*

---

## 3.2 Intel® 6321ESB I/O Controller Hub

The Intel® 6321ESB I/O Controller Hub is a multi-function device that provides four distinct functions: an IO Controller, a PCI-X\* Bridge, a GB Ethernet Controller, and a baseboard management controller (BMC). Each function within the controller hub has its own set of configuration registers. Once configured, each appears to the system as a distinct hardware controller.

The controller hub provides the gateway to all PC-compatible I/O devices and features. The server board uses these Intel® 6321ESB I/O Controller Hub features:

1. PCI-X\* bus interface
2. Six channel SATA interface w/SATA busy and fault LED control
3. Dual GbE MAC
4. Baseboard management controller (BMC)
5. Single ATA interface, with Ultra DMA 100 capability
6. Universal Serial Bus 2.0 (USB) interface
7. Removable media drives
8. LPC bus interface
9. PC-compatible timer/counter and DMA controllers
10. APIC and 8259 interrupt controller
11. Power management
12. System RTC
13. VT technology
14. General purpose I/O

For additional information, see the *Intel® 5000 Series Chipsets Server Board Family Datasheet*.

### 3.2.1 PCI Sub-system

The primary I/O buses support one Super Slot connector, which supports one PCI riser assembly that supports two PCI slots: one low-profile PCI Express\* x8, and either a mid-height PCI-X\* 133, or one low-profile PCI Express\*x4 and one mid-height PCI Express x4. The PCI bus complies with the *PCI Local Bus Specification, Revision 2.3*. The PCI-X bus complies with *PCI-X Local BUS Specification, Revision 2.0*, the PCI Express ports comply with the *PCI Express Base Specification, Revision 1.0a*. PCI 32 supports the VGA ATI\* ES1000 video controller.

**Table 5. PCI Bus Segment Characteristics**

PCI Bus Segment	Voltage	Width	Speed	Type	On-board Device Support
PXA 6321ESB	3.3V/5.0V	64 bit	133 MHz	PCI-X*	Full-height riser slot
PE1, PE2 BNB PCI Express* Ports 4, 5	3.3V	x8	20 Gb/S	PCI Express*	Low-profile riser slot

#### 3.2.1.1 PXA: 64-bit, 133MHz PCI Subsystem

One 64-bit PCI-X\* bus segment is directed through the 6321ESB ICH6. This PCI-X segment, PXA, supports up to three PCI add-in cards on the full-height riser card.

#### 3.2.1.2 PE2: One x4 PCI Express\* Bus Segment

One x4 PCI Express\* bus segment is directed through the 6321ESB. This PCI Express segment, PE2, supports one x8 PCI Express segment to the proprietary I/O module mezzanine connector.

#### 3.2.1.3 PCI Riser Slot

The primary I/O buses for this server board supports one Super Slot connector which supports one PCI riser assembly supporting two PCI slots:

- One low-profile PCI Express\* x8 and one mid-height PCI-X\* 133.
- Or one low-profile PCI Express\*x4 and one mid-height PCI Express\* x4.

### 3.2.2 Serial ATA Support

The Intel® 6321ESB I/O Controller Hub has an integrated Serial ATA (SATA) controller that supports independent DMA operation on six ports and supports data transfer rates of up to 3.0 Gb/s. The six SATA ports on the server board are numbered SATA-0 thru SATA-5. The SATA ports can be enabled/disabled and/or configured through the BIOS Setup Utility.

#### 3.2.2.1 Intel® Embedded Server RAID Technology Support

The embedded Intel® Embedded Server RAID Technology solution offers data stripping (RAID Level 0) and data mirroring (RAID Level 1). For higher performance, data stripping alleviates disk bottlenecks by taking advantage of the dual independent DMA engines that each SATA port offers.

Data mirroring is for data security. If a disk fails, a mirrored copied of the failed disk is brought on-line. There is no loss of either PCI resources (request/grant pair) or add-in card slots.

Intel® Embedded Server RAID Technology functionality requires these items:

- Intel® 6321ESB I/O Controller Hub
- Intel® Embedded Server RAID Technology Option ROM
- Intel® Application Accelerator RAID edition drivers, most recent revision
- At least two SATA hard disk drives

Intel® Embedded Server RAID Technology is not available in these configurations:

- The SATA controller in compatible mode
- Intel® Embedded Server RAID Technology has been disabled

### 3.2.3 Parallel ATA (PATA) Support

The integrated IDE controller of the 6321ESB ICH6 provides one IDE channel. It redefines signals on the IDE cable to allow both host and target throttling of data and transfer rates of up to 100 MB/s. The IDE channel provides optical drive support. The BIOS initializes and supports ATAPI devices such as LS-120/240, CD-ROM, CD-RW and DVD-ROM. The IDE channel is accessed through a high-density 40-pin connector ((J2K5) that provides I/O signals. The ATA channel can be configured and enabled or disabled through the BIOS Setup Utility.

### 3.2.4 USB 2.0 Support

The USB controller functionality integrated into the 6321ESB provides the interface for up to four USB 2.0 ports. Two external connectors are located on the back edge of the server board and one internal 2x5 header supports two optional USB 2.0 ports.

## 3.3 Video Support

An ATI\* ES1000 PCI graphics accelerator with 16 MB of video DDR SDRAM and support circuitry for an embedded SVGA video sub-system is provided. The ATI ES1000 chip contains an SVGA video controller, clock generator, 2D engine, and RAMDAC in a 359-pin BGA. One 4M x 16 x 4 bank DDR SDRAM chip provides 16 MB of video memory.

The SVGA sub-system supports modes up to 1024 x 768 resolution in 8/16/32 bpp modes under 2D. It also supports both CRT and LCD monitors up to a 100 Hz vertical refresh rate.

Video is accessed using a standard 15-pin VGA connector found on the back edge of the server board. Video signals are also made available through the 120-pin bridge-board connector that provides signals for an optional video connector on the control panel. Video is routed to both the rear video connector and a control panel video connector. Video is present at both connectors simultaneously and cannot be disabled at either connector individually. Video monitors can be hot-plugged.

### 3.3.1.1 Video Modes

The ATI® ES1000 chip supports all standard IBM® VGA modes. The table shows the 2D modes supported for both CRT and LCD.

**Table 6. Video Modes**

2D Mode	Refresh Rate (Hz)	2D Video Mode Support		
		8 bpp	16 bpp	32 bpp
640x480	60, 72, 75, 85, 90, 100, 120, 160, 200	Supported	Supported	Supported
800x600	60, 70, 72, 75, 85, 90, 100, 120, 160	Supported	Supported	Supported
1024x768	60, 70, 72, 75, 85, 90, 100	Supported	Supported	Supported
1152x864	43, 47, 60, 70, 75, 80, 85	Supported	Supported	Supported
1280x1024	60, 70, 74, 75	Supported	Supported	Supported
1600x1200	52	Supported	Supported	Supported

### 3.3.1.2 Video Memory Interface

The memory controller sub-system of the ES1000 arbitrates requests from the direct memory interface, the VGA graphics controller, the drawing co-processor, the display controller, the video scalar, and the hardware cursor. Requests are serviced in a manner that ensures display integrity and maximum CPU/co-processor drawing performance.

The server board supports a 16 MB (4 Meg x 16-bit x four banks) DDR SDRAM device for video memory.

## 3.4 Network Interface Controller (NIC)

Network interface support is provided from the built in Dual GbE MAC features of the 6321ESB in conjunction with the Intel® 82563EB compact Physical Layer Transceiver (PHY). Together, they provide support for dual LAN ports designed for 10/100/1000 Mbps operation.

The 82563EB device is based upon proven PHY technology integrated into Intel's gigabit Ethernet controllers. The physical layer circuitry provides a standard IEEE 802.3 Ethernet interface for 1000BASE-T, 100BASE-TX, and 10BASE-T applications (802.3, 802.3u, and 802.3ab). The 82563EB device can transmit and receive data at rates of 1000 Mbps, 100 Mbps, or 10 Mbps.



Each network interface controller (NIC) drives two LEDs located on each network interface connector. The link/activity LED at the right of the connector indicates network connection when on, and Transmit/Receive activity when blinking. The speed LED at the left indicates 1000-Mbps operation when amber, 100-Mbps operation when green, and 10-Mbps when off.

**Table 7. NIC2 Status LED**

LED Color	LED State	NIC State
Green/Amber (Left)	Off	10 Mbps
	Green	100 Mbps
	Amber	1000 Mbps
Green (Right)	On	Active Connection
	Blinking	Transmit/Receive activity

### 3.4.1 Intel® I/O Acceleration Technology

Intel® I/O Acceleration Technology moves network data efficiently through Intel® Xeon® processor-based servers for improved application responsiveness across diverse operating systems and virtualized environments.

Intel® I/OAT improves network application responsiveness by unleashing the power of Intel® Xeon® processors through efficient network data movement and reduced system overhead. Intel multi-port network adapters with Intel I/OAT provide high-performance I/O for server consolidation and virtualization via stateless network acceleration that seamlessly scales across multiple ports and virtual machines. Intel I/OAT provides safe and flexible network acceleration through tight integration into popular operating systems and virtual machine monitors, avoiding the support risks of third-party network stacks and preserving existing network requirements such as teaming and failover.

## 3.5 Super I/O

Legacy I/O support is provided by a National Semiconductor\* PC87427 Super I/O device. This chip contains the necessary circuitry to support these functions:

- GPIOs
- Serial ports
- Keyboard and mouse support
- Wake up control
- System health support

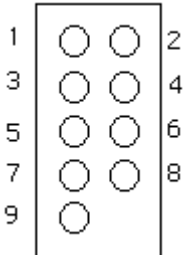
### 3.5.1.1 Serial Ports

The server board provides an external DB9 serial port and an internal serial header.

**Table 8. Serial A Port Header Pin-out (External DB9)**

RJ45	Signal	Abbreviation	DB9
1	Request to Send	RTS	7
2	Data Terminal Ready	DTR	4
3	Transmitted Data	TD	3
4	Signal Ground	SGND	5
5	Ring Indicator	RI	9
6	Received Data	RD	2
7	DCD or DSR	DCD/DSR	1 or 6 (see note)
8	Clear To Send	CTS	8

**Table 9. Internal Serial B Port Header Pin-out**

Pin	Signal Name	Serial Port A Header Pin-out
1	DCD	
2	DSR	
3	RX	
4	RTS	
5	TX	
6	CTS	
7	DTR	
8	RI	
9	GND	

---

**Note:** The RJ45-to-DB9 adapter should match the configuration of the serial device used. One of two pin-out configurations is used, depending on whether the serial device requires a DSR or DCD signal. The final adapter configuration should also match the desired pin-out of the RJ45 connector, as it can also be configured to support either DSR or DCD.

---

### 3.5.1.2 Floppy Disk Controller

The server board does not support a floppy disk controller (FDC) interface, but the system BIOS recognizes USB floppy devices.

### 3.5.1.3 Keyboard and Mouse Support

Dual stacked PS/2 ports on the back edge of the server board support a keyboard and mouse. Either port can support a mouse or keyboard. Neither port supports hot plugging.

### 3.5.1.4 Wake-up Control

The super I/O contains functionality allows events to power-on and power-off the system.

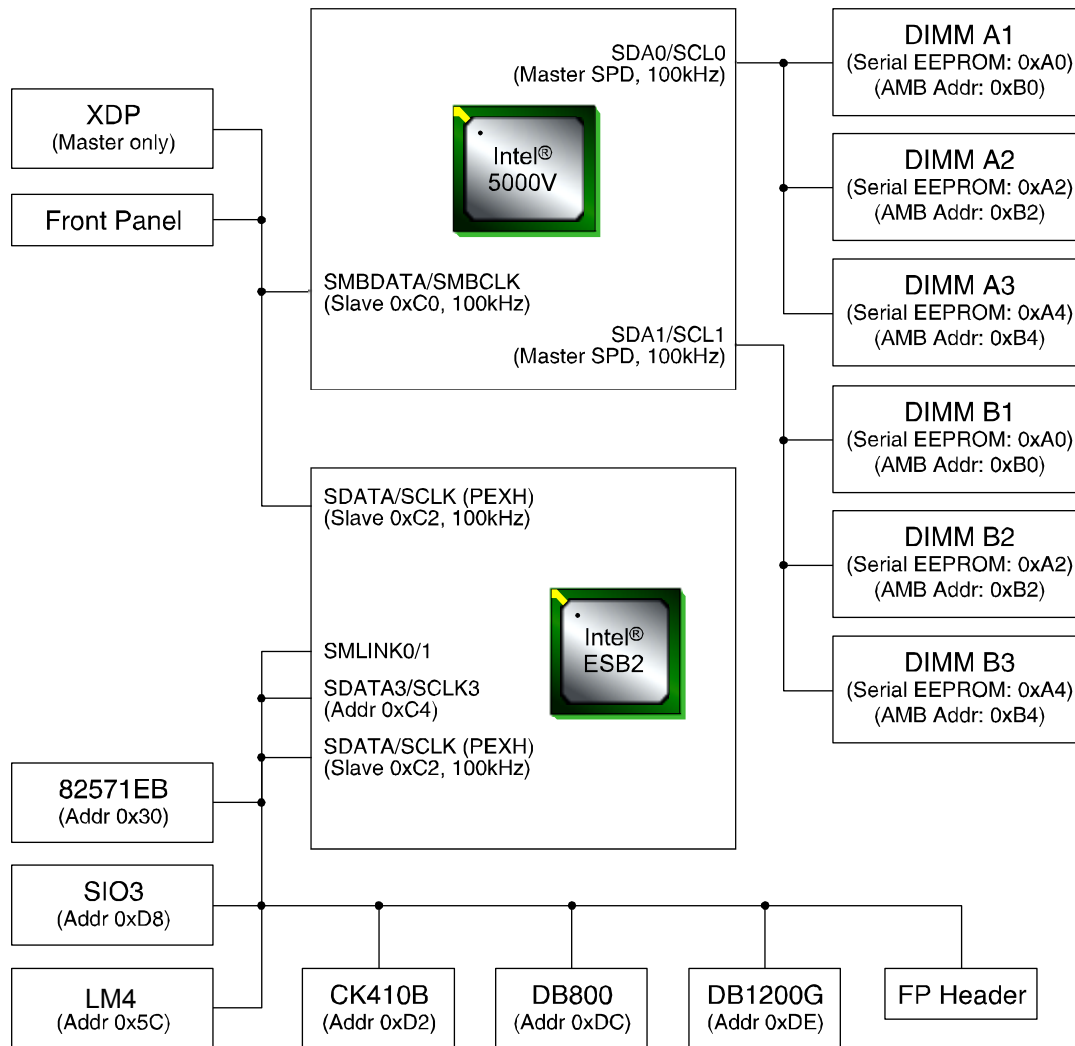
### 3.5.1.5 System Health Support

The super I/O provides an interface via GPIOs for BIOS and system management firmware to activate the diagnostic LEDs, the FRU fault indicator LEDs for processors, FBDIMMS, fans, and the system status LED. See section 7 to locate the LEDs.

## 4. Platform Management

The platform management sub-system is based on the integrated baseboard management controller (BMC) features of the Intel® 6321ESB I/O Controller Hub. The onboard platform management subsystem consists of communication buses, sensors, system BIOS, and system management firmware.

See Appendix B for onboard sensor data. For additional platform management information see the *Intel® 5000 Series Chipsets Server Board Family Datasheet*.



AF001015

Figure 7. SMBUS Block Diagram

## 5. Connector/Header Locations and Pin-outs

### 5.1 Board Connectors

**Table 10. Board Connector Matrix**

Connector	Quantity	Server Board Reference Designators	Connector Type	Pin Count
Power supply	3	J9E1 J9B1 J9C1	CPU Power Main Power P/S Aux	8 24 5
CPU	2	J8H1, J5H1	CPU Sockets	771
Main Memory	8	J7A2, J7A3, J7A4, J7A5, J8A2, J8A3	DIMM Sockets	240
Super Slot	1	J4B2	Card Edge	98
IDE	1	J2K5	Shrouded Header	40
CPU Blowers #1 and #2	2	J2K3, J2K4	Header	4
System Fan	2	J1K1	Header	3
Battery	1	XBT3E1	Battery Holder	3
Keyboard/Mouse	1	J9A2	PS2, stacked	12
Rear USB	2	J9A2	External	4
Serial Port A	1	J8A1	External	9
Serial Port B	1	J1A1	Header	9
Video connector	1	J7A1	External, D-Sub	15
LAN connector 10/100/1000	2	JA6A1, JA5A1	External LAN connector with built-in magnetic	14
SSI Control Panel	1	J2K2	Header	24
Internal USB	1	J3K1	Header	10
Serial ATA (SATA)	2	J1J1, J1J2	Header	7
SATA/SAS	4	J1G2, J1G1, J1F1, J1E4	Header	7
System Recovery Setting Jumpers	4	J1C2, J1C4	Jumper	3

## 5.2 Power Connectors

The main power supply connection is obtained using an SSI compliant 2x12 pin connector (J9B1). Two additional power related connectors; one SSI compliant 2x4 pin power connector (J9E1) supports additional 12V. One SSI compliant 1x5 pin connector (J9C1) provides I<sup>2</sup>C monitors the power supply.

**Table 11. Power Connector Pin-out (J3K3)**

Pin	Signal	Color	Pin	Signal	Color
1	+3.3Vdc	Orange	13	+3.3Vdc	Orange
2	+3.3Vdc	Orange	14	-12Vdc	Blue
3	GND	Black	15	GND	Black
4	+5Vdc	Red	16	PS_On#	Green
5	GND	Black	17	GND	Black
6	+5Vdc	Red	18	GND	Black
7	GND	Black	19	GND	Black
8	PWR_OK	Gray	20	RSVD_(-5V)	White
9	5VSB	Purple	21	+5Vdc	Red
10	+12Vdc	Yellow	22	+5Vdc	Red
11	+12Vdc	Yellow	23	+5Vdc	Red
12	+3.3Vdc	Orange	24	GND	Black

**Table 12. 12V Power Connector Pin-out (J9E1)**

Pin	Signal	Color
1	GND	Black
2	GND	Black
3	GND	Black
4	GND	Black
5	+12Vdc	Yellow/Black
6	+12Vdc	Yellow/Black
7	+12Vdc	Yellow/Black
8	+12Vdc	Yellow/Black

**Table 13. Power Supply Signal Connector Pin-out (J9C1)**

Pin	Signal	Color
1	SMB_CLK_ESB_FP_PWR_R	Orange
2	SMB_DAT_ESB_FP_PWR_R	Black
3	SMB_ALERT_3_ESB_R	Red
4	3.3V SENSE-	Yellow
5	3.3V SENSE+	Green

### 5.3 Riser Card Slots

The server board has one riser card slot. The riser card slot is capable of supporting one riser card that supports one PCI-X\* 133 full-height/mid-length add-in card and one low-profile PCI Express\* x8 add-in-card.

### 5.4 SSI Control Panel Connector

The server board provides a 24-pin SSI control panel connector (J2K2) for use with non-Intel chassis. The following table provides the pin-out for this connector.

**Table 14. Front Panel SSI Standard 24-pin Connector Pin-out (J2K2)**

Pin	Signal Name	Control Panel Pin-out	Pin	Signal Name
1	P3V3_STBY		2	P3V3_STBY
3	Key		4	P5V_STBY
5	FP_PWR_LED_L		6	FP_ID_LED_L
7	P3V3		8	FP_STATUS_LED1_R
9	HDD_LED_ACT_R		10	FP_STATUS_LED2_R
11	FP_PWR_BTN_L		12	LAN_ACT_A_L
13	GND		14	LAN_LINKA_L
15	Reset Button		16	PS_I2C_3VSB_SDA
17	GND		18	PS_I2C_3VSB_SCL
19	FP_ID_BTN_L		20	FP_CHASSIS_INTRU
21	TEMP_SENSOR		22	LAN_ACT_B_L
23	FP_NMI_BTN_L		24	LAN_LINKB_L

## 5.5 I/O Connector Pinout Definition

### 5.5.1 VGA Connector

The following table details the pin-out of the VGA connector (J7A1).

**Table 15. VGA Connector Pin-out (J7A1)**

Pin	Signal Name	Description
1	V_IO_R_COnN	Red (analog color signal R)
2	V_IO_G_COnN	Green (analog color signal G)
3	V_IO_B_COnN	Blue (analog color signal B)
4	TP_VID_COnN_B4	No connection
5	GND	Ground
6	GND	Ground
7	GND	Ground
8	GND	Ground
9	TP_VID_COnN_B9	No Connection
10	GND	Ground
11	TP_VID_COnN_B11	No connection
12	V_IO_DDCDAT	DDCDAT
13	V_IO_HSYNC_COnN	HSYNC (horizontal sync)
14	V_IO_VSYNC_COnN	VSYNC (vertical sync)
15	V_IO_DDCCLK	DDCCLK

### 5.5.2 NIC Connectors

The server board provides two RJ45 NIC connectors oriented side-by-side on the back edge of the board (JA6A1, JA5A1). The pin-out for each connector is identical.

**Table 16. RJ-45 10/100/1000 NIC Connector Pin-out (JA6A1, JA5A1)**

Pin	Signal Name	Pin	Signal Name
1	GND	9	NIC_A_MDI0P
2	P1V8_NIC	10	NIC_A_MDI0N
3	NIC_A_MDI3P	11 (D1)	NIC_LINKA_1000_N (LED)
4	NIC_A_MDI3N	12 (D2)	NIC_LINKA_100_N (LED)
5	NIC_A_MDI2P	13 (D3)	NIC_ACT_LED_N
6	NIC_A_MDI2N	14	NIC_LINK_LED_N
7	NIC_A_MDI1P	15	GND
8	NIC_A_MDI1N	16	GND



### 5.5.3 IDE Connector

The server board includes an IDE connector that supports a single slimline optical drive such as a CD-ROM or DVD-ROM drive. The connector has 44 pins providing support for both power and I/O singles.

**Table 17. 44-pin IDE Connector Pin-out (J2K5)**

Pin	Signal Name	Pin	Signal Name
1	ESB_PLT_RST_IDE_N	2	GND
3	RIDE_DD_7	4	RIDE_DD_8
5	RIDE_DD_6	6	RIDE_DD_9
7	RIDE_DD_5	8	RIDE_DD_10
9	RIDE_DD_4	10	RIDE_DD_11
11	RIDE_DD_3	12	RIDE_DD_12
13	RIDE_DD_2	14	RIDE_DD_13
15	RIDE_DD_1	16	RIDE_DD_14
17	RIDE_DD_0	18	RIDE_DD_15
19	GND	20	KEY
21	RIDE_DDREQ	22	GND
23	RIDE_DIOW_N	24	GND
25	RIDE_DIOR_N	26	GND
27	RIDE_PIORDY	28	GND
29	RIDE_DDACK_N	30	GND
31	IRQ_IDE	32	TP_PIDE_32
33	RIDE_DA1	34	IDE_PRI_CBLSNS
35	RIDE_DA0	36	RIDE_DA2
37	RIDE_DCS1_N	38	RIDE_DCS3_N
39	LED_IDE_N	40	GND

## 5.5.4 SATA Connectors

The server board provides two SATA (Serial ATA) connectors: SATA-0 (J1J2), SATA-1 (J1J1), and four SATA (Serial ATA)/SAS (serial-attached SCSI) connectors: SATA-2/SAS-0 (J1G2), SATA-3/SAS-1 (J1G1), SATA-4/SAS-2 (J1F1), and SATA-5/SAS-3 (J1E4).

**Table 18. SATA Connector Pin-out (J1J2, J1J1)**

Pin	Signal Name	Description
1	GND	GND1
2	SATA#_TX_P_C	Positive side of transmit differential pair
3	SATA#_TX_N_C	Negative side of transmit differential pair
4	GND	GND2
5	SATA#_RX_N_C	Negative side of Receive differential pair
6	SATA#_RX_P_C	Positive side of Receive differential pair
7	GND	GND3

**Table 19. SATA/SAS Connector Pin-out (J1G2, J1G1, J1F1, J1E4)**

Pin	Signal Name	Description
1	GND	GND1
2	SATA#_TX_P_C	Positive side of transmit differential pair
3	SATA#_TX_N_C	Negative side of transmit differential pair
4	GND	GND2
5	SATA#_RX_N_C	Negative side of Receive differential pair
6	SATA#_RX_P_C	Positive side of Receive differential pair
7	GND	GND3

### 5.5.5 Serial Port Connectors

The server board provides one external 9-pin Serial 'A' port (J8A1) and one internal 9-pin Serial B port header (J1A1). The following tables define the pin-outs for each.

**Table 20. 9-pin Serial Header Pin-out (J8A1, J1A1)**

Pin	Signal Name	Description
1	SPA_DCD	DCD (carrier detect)
2	SPA_DSR	DSR (data set ready)
3	SPA_SIN	RXD (receive data)
4	SPA_CTS	CTS (clear to send)
5	TP_SPA_RI	RI (Ring Indicate)
6	SPA_RTS	RTS (request to send)
7	SPA_SOUT	SOUT (serial out)
8	SPA_DTR	DTR (Data terminal ready)
9	GND	Ground

### 5.5.6 Keyboard and Mouse Connector

Two stacked PS/2 ports (J9A2) are support both a keyboard and a mouse. Either PS/2 port can support a mouse or a keyboard. The following table details the pin-out of the PS/2 connector.

**Table 21. Stacked PS/2 Keyboard and Mouse Port Pin-out (J9A2)**

Pin	Signal Name	Description
1	KB_DATA_F	Keyboard Data
2	NC	No Connect
3	GND	Ground
4	P5V_KB_F	Keyboard/mouse power
5	KB_CLK_F	Keyboard Clock
6	NC	No Connect
7	MS_DATA_F	Mouse Data
8	NC	No Connect
9	GND	Ground
10	P5V_KB_F	Keyboard/mouse power
11	MS_CLK_F	Mouse Clock
12	NC	No Connect
13	GND	Ground
14	GND	Ground
15	GND	Ground
16	GND	Ground
17	GND	Ground

### 5.5.7 USB Connector

The following table details the pin-out of the external USB connectors (J9A2) found on the back edge of the server board.

**Table 22. External USB Connector Pin-out (J9A2)**

Pin	Signal Name	Description
1	USB_OC1_LAN	USB_Power
2	USB_P1N_LAN	DATAL1 (Differential data line paired with DATAH1)
3	USB_P1P_LAN	DATAH1 (Differential data line paired with DATAL1)
4	GND	Ground
5	USB_OC0_LAN	USB_Power
6	USB_P0N_LAN	DATAH0 (Differential data line paired with DATAL0)
7	USB_P0P_LAN	DATAH0 (Differential data line paired with DATAL0)
8	GND	Ground

One 2x5 connector on the server board (J3K1) provides an option to support an additional USB 2.0 port.

**Table 23. Internal USB Connector Pin-out (J3K1)**

Pin	Signal Name	Description
1	P5V	USB Power
2	P5V	USB Power
3	USB_ESB_P5N	USB Port 5 Negative Signal
4	USB_ESB_P4N	USB Port 4 Negative Signal
5	USB_ESB_P5P	USB Port 5 Positive Signal
6	USB_ESB_P4P	USB Port 4 Positive Signal
7	Ground	Ground
8	Ground	Ground
9	--	No Pin
10	NC	No Connctet

## 5.6 Fan Headers

The server board incorporates a system fan circuit that supports two SSI compliant 4-pin fan connectors and one 3-pin connector. The 3-pin connector (J1K1) is for system cooling fans. The two 4-pin fan connectors are for processor cooling fans: CPU1 fan (J2K3) and CPU2 fan (J2K4).

The 4-pin connectors can support CPU fans that draw a maximum of 1.2 amps each. The system fan connectors can be found towards the front edge of the server board, CPU1 fan (J2K3), CPU2 fan (J2K4) and system fan (J1K1). These connectors support a maximum fan load of 3.5 Amps each. With the proper sensor data record (SDR) installed, Intel® System Management Software can monitor all system fans in use.

The pin configuration for each fan connector is identical.

**Table 24. CPU Fan Connector Pin-out (J2K3, J2K4)**

Pin	Signal Name	Type	Description
1	Ground	GND	GROUND is the power supply ground
2	12V	Power	Power supply 12V
3	Fan Tach	Out	FAN_TACH signal is connected to the BMC to monitor the fan speed
4	Fan PWM	In	FAN_PWM signal to control fan speed

**Table 25. PCI Fan Connector Pin-out (J1K1)**

Pin	Signal Name	Type	Description
1	Ground	GND	GROUND is the power supply ground
2	12V	Power	Power supply 12V
3	Fan Tach	Out	FAN_TACH signal is connected to the BMC to monitor the fan speed

---

**Note:** Intel Corporation server baseboards support peripheral components and contain a number of high-density VLSI and power delivery components that need adequate airflow to cool. Intel's own chassis are designed and tested to meet the intended thermal requirements of these components when the fully integrated system is used together. It is the responsibility of the system integrator that chooses not to use Intel developed server building blocks to consult vendor datasheets and operating parameters to determine the amount of air flow required for their specific application and environmental conditions. Intel Corporation can not be held responsible if components fail or the server board does not operate correctly when used outside any of their published operating or non-operating limits.

---

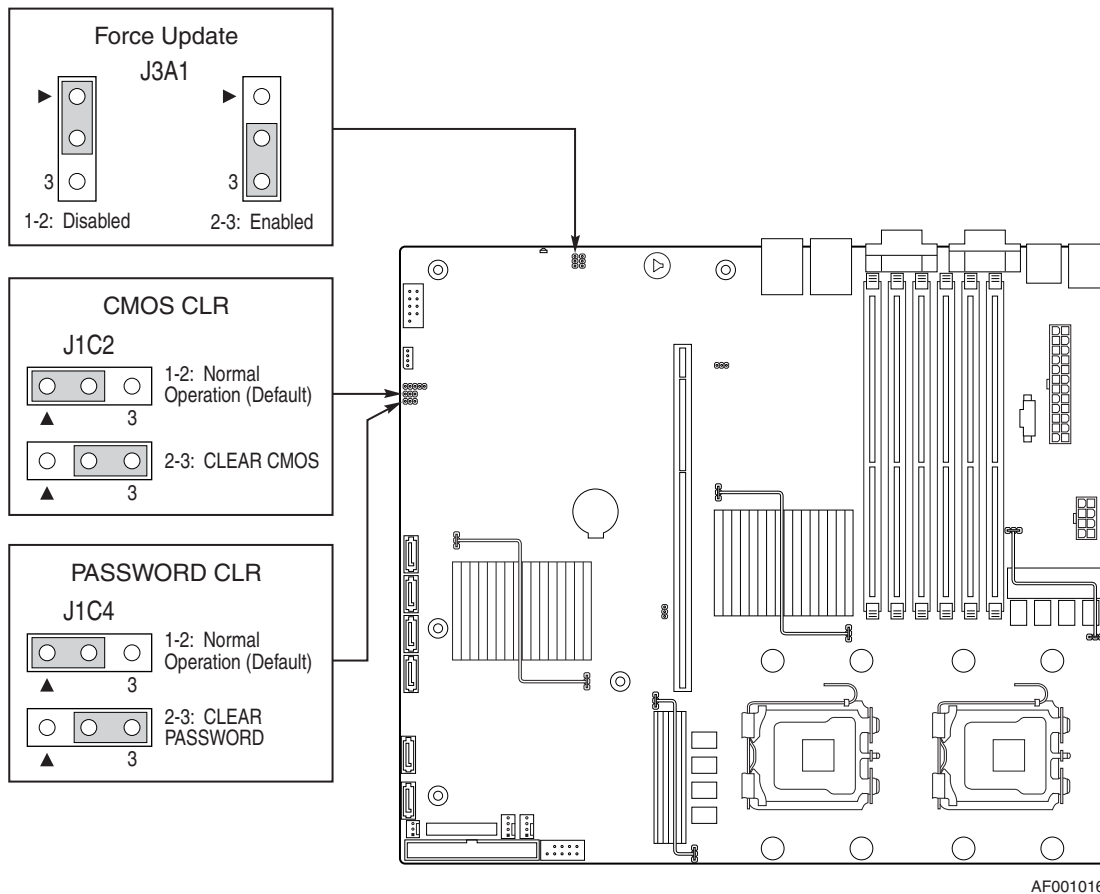
## 6. Jumper Block Settings

The server board has several 3-pin jumper blocks that can be used to configure, protect, or recover specific features of the server board. Pin 1 on each jumper block is denoted by “▼”.

### 6.1 Recovery Jumper Blocks

**Table 26. Recovery Jumpers (J3A1, J1C1, J1C2)**

Jumper Name	Pins	What happens at system reset...
J3A1: BMC Force Update	1-2	BMC Firmware Force Update Mode – Disabled <b>(Default)</b>
	2-3	BMC Firmware Force Update Mode – Enabled
J1C4: Password Clear	1-2	These pins should have a jumper in place for normal system operation. <b>(Default)</b>
	2-3	If these pins are jumpered, administrator and user passwords will be cleared on the next reset. These pins should <b>not</b> be jumpered for normal operation.
J1C2: CMOS Clear	1-2	These pins should have a jumper in place for normal system operation. <b>(Default)</b>
	2-3	If these pins are jumpered, the CMOS settings will be cleared on the next reset. These pins should <b>not</b> be jumpered for normal operation



**Figure 8. Recovery Jumper Blocks (J3A1, J1C2, J1C4)**

### 6.1.1 CMOS Clear and Password Reset Usage Procedure

The CMOS Clear and Password Reset recovery features are designed for minimal system down time. The usage procedure for these two features has changed from previous generation Intel server boards. The following procedure outlines the new usage model:

1. Power down and remove AC power.
2. Open server.
3. Move jumper from the Default operating position (Pins1-2) to the Reset/Clear position (Pins 2-3).
4. Wait 5 seconds.
5. Move jumper back to default position (Pins 1-2).
6. Close the server chassis.
7. Reconnect AC and power up the server.

The password and/or CMOS is cleared and can be reset in BIOS setup.

### 6.1.2 BMC Force Update Procedure

When performing a standard BMC firmware update procedure, the update utility places the BMC into an update mode, allowing the firmware to load safely onto the flash device. In the unlikely event that the BMC firmware update process fails due to the BMC not being in the proper update state, the server board provides a BMC Force Update jumper which will force the BMC into the proper update state. The following procedure should be following in the event the standard BMC firmware update process fails:

1. Power down and remove AC power.
2. Open the server.
3. Move jumper from the Default operating position (pins1-2) to the Enabled position (pins 2-3).
4. Close the server chassis.
5. Reconnect AC and power up the server.
6. Perform the BMC firmware update procedure that is documented in README.TXT file that is included in the given BMC Firmware Update package.
7. After successful completion of the firmware update process, the firmware update utility may generate an error stating that the BMC is still in update mode.
8. Power down and remove the AC power.
9. Open the server.
10. Move the jumper from the Enabled position (pins 2-3) to the Disabled position (pins 1-2).
11. Close the server chassis.
12. Reconnect AC and power up the server.

---

**Note:** Normal BMC functionality is disabled with the Force BMC Update jumper set to the “Enabled” position. The server should never be run with the BMC Force Update jumper set in this position and should only be used when the standard firmware update process fails. This jumper should remain in the Default – Disabled position when the server is running normally.

---

## 6.2 BIOS Select Jumper

The jumper block located at J3A2, is used to select which BIOS image the system will boot to. Pin 1 on the jumper is identified by ‘▼’. This jumper should only be moved to force the BIOS to boot to the secondary bank, which may hold a different version of BIOS.

The rolling BIOS feature of the server board will automatically alternate the Boot BIOS to the secondary bank if the BIOS image in the primary bank is corrupted and cannot boot.

**Table 27. BIOS Select Jumper (J3A2)**

Pins	What happens at system reset..
1-2	Force BIOS to bank 2
2-3	System is configured for normal operation (bank 1) <b>(Default)</b>

## 6.3 PCI Express\* Select Jumper

The jumper block located at J1E1 is used to select which PCI Express\* speed to use. Pin 1 on the jumper is identified by ‘▼’. This jumper will need to be moved to support the PCI Express\* speed.

**Table 28. PCI Express\* x4/x8 Select Jumper (J1E1)**

Pins	Description
1-2	PCI Express* two x4
2-3	PCI Express one x8 <b>(Default)</b>

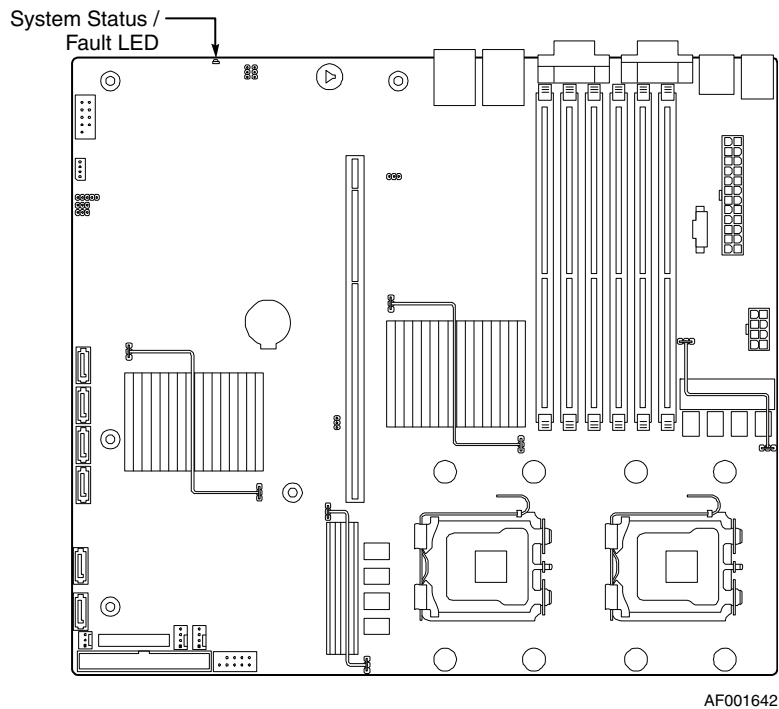


## 7. Intel® Light Guided Diagnostics

The server board has several on-board diagnostic LEDs to assist in troubleshooting board-level issues. This section shows the location of each LED and provides a high level-usage description. For a more detailed description of what drives the diagnostic LED operation, see the *Intel® 5000 Series Chipsets Server Board Family Datasheet*.

### 7.1 5-Volt Standby System Status/Fault LED

Several system management features of this server board require that 5-volt standby voltage be supplied from the power supply. The BMC within the 6321ESB, and onboard NICs require this voltage be present when the system is off. The 5-volt Standby System Status LED is illuminated when AC power is applied to the platform and 5-volt standby voltage is supplied to the server board by the power supply. See the figure below to locate this LED.



**Figure 9. System Status/Fault LED Location**

When the AC power is first applied to the system and 5-volt standby is present, the BMC on the server board requires 15-20 seconds to initialize. During this time, the system status LED blinks amber and green, and the power button functionality is disabled, preventing the server from powering up. Once BMC initialization has completed, the status LED will stop blinking and the power button functionality is restored and can be used to turn on the server.

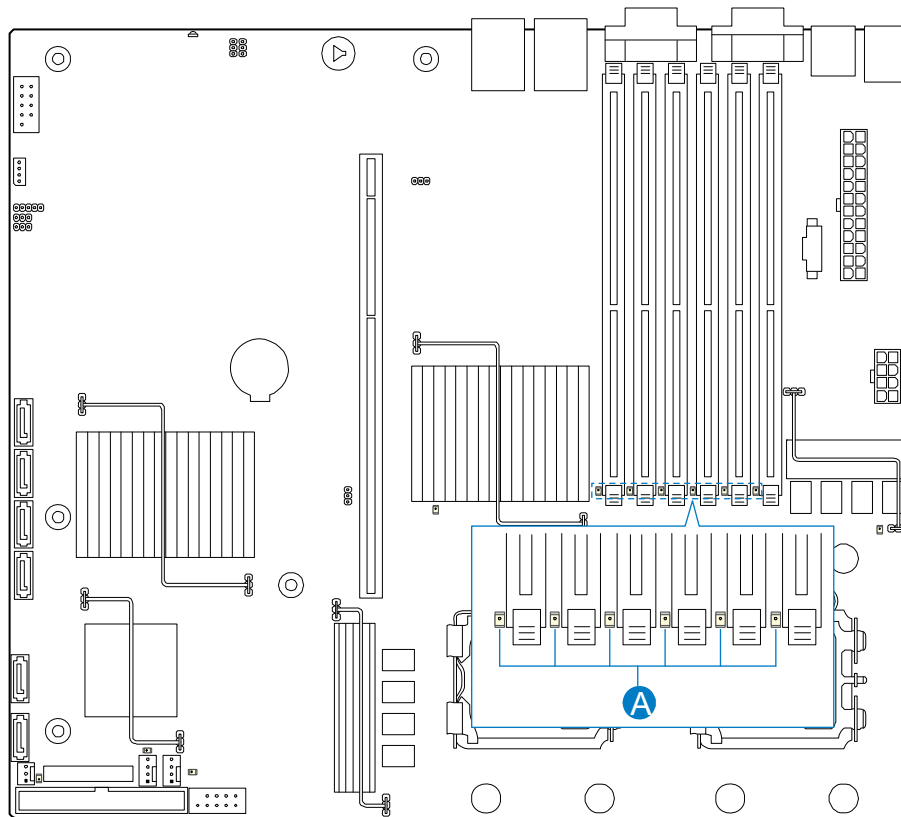
The bi-color 5V Standby System Status LED operates as follows:

**Table 29. 5V Standby System Status LED Indicators**

Color	State	Criticality	Description
Off	N/A	Not ready	AC power off
Green/Amber	Alternating Blink	Not ready	Pre-DC power on – 15-20 second BMC initialization when AC is applied to the server. Control Panel buttons are disabled until the BMC initialization is complete.
Green	Solid on	System OK	System booted and ready.
Green	Blink	Degraded	System degraded <ul style="list-style-type: none"> <li>▪ Unable to use all of the installed memory (more than one DIMM installed).</li> <li>▪ Correctable errors over a threshold of 10 and migrating to a spare DIMM (memory sparing). This indicates that the user no longer has spared DIMMs indicating a redundancy lost condition. Corresponding DIMM LED should light up.</li> <li>▪ In mirrored configuration, when memory mirroring takes place and system loses memory redundancy. This is not covered by the bullet above.</li> <li>▪ Redundancy loss such as power-supply or fan. This does not apply to non-redundant sub-systems.</li> <li>▪ PCI-e link errors</li> <li>▪ CPU failure/disabled – if there are two processors and one of them fails</li> <li>▪ Fan alarm – Fan failure. Number of operational fans should be more than minimum number needed to cool the system</li> <li>▪ Non-critical threshold crossed – Temperature and voltage</li> </ul>
Amber	Blink	Non-critical	Non-fatal alarm – system is likely to fail <ul style="list-style-type: none"> <li>▪ Critical voltage threshold crossed</li> <li>▪ VRD hot asserted</li> <li>▪ Minimum number of fans to cool the system not present or failed</li> <li>▪ In non-sparing and non-mirroring mode if the threshold of ten correctable errors is crossed within the window</li> </ul>
Amber	Solid on	Critical, non-recoverable	Fatal alarm – system has failed or shutdown <ul style="list-style-type: none"> <li>▪ DIMM failure when there is one DIMM present, no good memory present</li> <li>▪ Run-time memory uncorrectable error in non-redundant mode</li> <li>▪ IERR signal asserted</li> <li>▪ Processor 1 missing</li> <li>▪ Temperature (CPU ThermTrip, memory TempHi, critical threshold crossed)</li> <li>▪ No power good – power fault</li> <li>▪ Processor configuration error (for instance, processor stepping mismatch)</li> </ul>

## 7.2 DIMM LEDs

The server board provides a memory fault LED for each DIMM slot. The DIMM fault LED is illuminated when the system BIOS disables the specified DIMM after it reaches a specified number of given failures or if specific critical DIMM failures are detected. See the *Intel® 5000 Series Chipsets Server Board Family Datasheet*.

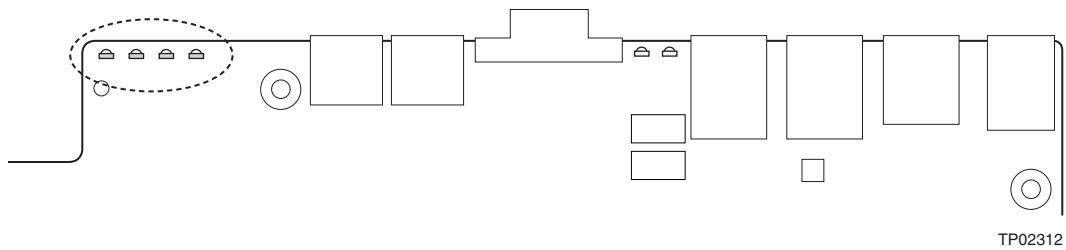


AF001525

**Figure 10. DIMM LED Locations**

### 7.3 Post Code Diagnostic LEDs

During the system boot process, BIOS executes a number of platform configuration processes, each of which is assigned a specific hex POST code number. As each configuration routine is started, BIOS will display the given POST code to the POST Code Diagnostic LEDs found on the back edge of the server board. To assist in troubleshooting a system hang during the POST process, the Diagnostic LEDs can be used to identify the last POST process to be executed. See Appendix C for a complete description of how these LEDs are read, and for a list of all supported POST codes.



**Figure 11. POST Code Diagnostic LED Location**

## 8. Power and Environmental Specifications

### 8.1 Intel® Server Board S5000VCL Design Specifications

Operating the server board at conditions beyond those shown in the table may cause permanent damage to the system. Exposure to absolute maximum rating conditions for extended periods may affect system reliability.

**Table 30. Server Board Design Specifications**

Operating Temperature	0° C to 55° C <sup>1</sup> (32° F to 131° F)
Non-Operating Temperature	-40° C to 70° C (-40° F to 158° F)
DC Voltage	± 5% of all nominal voltages
Shock (Unpackaged)	Trapezoidal, 50 g, 170 inches/sec
Shock (Packaged)	
< 20 lbs	36 inches
≥ 20 to < 40	30 inches
≥ 40 to < 80	24 inches
≥ 80 to < 100	18 inches
≥100 to < 120	12 inches
≥120	9 inches
Vibration (Unpackaged)	5 Hz to 500 Hz 3.13 g RMS random
Operating Temperature	5° C to 50° C <sup>1</sup> (32° F to 131° F)
Non-Operating Temperature	-40° C to 70° C (-40° F to 158° F)
DC Voltage	± 5% of all nominal voltages
Shock (Unpackaged)	Trapezoidal, 50 g, 170 inches/sec
Shock (Packaged) (≥ 40 lbs to < 80 lbs)	24 inches
Vibration (Unpackaged)	5 Hz to 500 Hz 3.13 g RMS random

Note:

<sup>1</sup> The chassis design must provide proper airflow to avoid exceeding the Dual-Core Intel® Xeon® processor 5100 series or Quad-Core Intel® Xeon® processor 5300 series maximum case temperature.

---

**Disclaimer Note:** Intel Corporation server boards support add-in peripherals and contain a number of high-density VLSI and power delivery components that need adequate airflow to cool. Intel ensures through its own chassis development and testing that when Intel server building blocks are used together, the fully integrated system will meet the intended thermal requirements of these components. It is the responsibility of the system integrator who chooses not to use Intel developed server building blocks to consult vendor datasheets and operating parameters to determine the amount of air flow required for their specific application and environmental conditions. Intel Corporation cannot be held responsible, if components fail or the server board does not operate correctly when used outside any of their published operating or non-operating limits.

---

## 8.2 Baseboard Power Requirements

This section provides power supply design guidelines for a system using the Intel® Server Board S5000VCL, including voltage and current specifications and power supply on/off sequencing characteristics.

### 8.2.1 Processor Power Support

The server board supports the Thermal Design Point (TDP) guideline for Dual-Core Intel® Xeon® processors 5100 series and Quad-Core Intel® Xeon® processor 5300 series. The Flexible Motherboard Guidelines (FMB) has also been followed to help determine the suggested thermal and current design values for anticipating future processor needs. The following table provides maximum values for  $I_{CC}$ , TDP power and  $T_{CASE}$  for the Dual-Core Intel® Xeon® processor 5100 series family and Quad-Core Intel® Xeon® processor 5300 series family.

**Table 31. Dual-Core Intel® Xeon® processor 5100 series and Quad-Core Intel® Xeon® processor 5300 series TDP Guidelines**

TDP Power	Max TCASE	I <sub>CC</sub> MAX
108 W	70° C	90 A

---

**Note:** *These values are for reference only. The Dual-Core Intel® Xeon® processor 5100 series and Quad-Core Intel® Xeon® processor 5300 series Datasheet contains the actual specifications for the processor. If the values found in the Dual-Core Intel® Xeon® processor 5100 series Datasheet are different than those published here, the Dual-Core Intel® Xeon® processor 5100 series Datasheet values will supersede these, and should be used.*

---

### 8.2.2 Power Supply Output Requirements

This section is for reference purposes only. Its intent is to provide guidance to system designers for determining a proper power supply for use with this server board. The contents of this section specify the power supply requirements Intel used to develop a power supply for its 1U server system.

The following table defines power and current ratings for this 400 W power supplies. The combined output power of all outputs shall not exceed the rated output power. The power supply must meet both static and dynamic voltage regulation requirements for the minimum loading conditions.

**Table 32. 400W Load Ratings**

Voltage	Minimum Continuous	Maximum Continuous	Peak
+3.3 V <sup>1</sup>	1.5 A	10 A	
+5 V <sup>1</sup>	1.0 A	20 A	
+12 V <sup>2</sup>	0.5 A	16 A	18 A
+12 V <sup>3</sup>	0.5 A	16 A	18 A
+12 V <sup>4</sup>	0.5 A	16 A	
+12 V <sup>5</sup>	0.5 A	16 A	
-12 V	0 A	0.5 A	
+5 VSB	0.1 A	3.0 A	3.5 A

**Notes:**

1. Combined 3.3 V and 5 V power shall not exceed 100 W.
2. Maximum continuous total DC output power should not exceed 400 W.
3. Peak load on the combined 12 V output shall not exceed 49 A.
4. Maximum continuous load on the combined 12 V output shall not exceed 44 A.
5. Peak total DC output power should not exceed 650 W.
6. Peak power and current loading shall be supported for a minimum of 12 seconds.

**8.2.3 Turn On No Load Operation**

At power on the system shall present a no load condition to the power supply. In this no load state the voltage regulation limits for the 3.3V and 5V are relaxed to +/-10% and the +12V rails relaxed to +10/-8%. When operating loads are applied the voltages must regulated to there normal limits.

**Table 33. No-load Operating Range**

Voltage	Minimum Continuous	Maximum Continuous	Peak
+3.3 V	0 A	7 A	
+5 V	0 A	5 A	
+12 V <sup>1</sup>	0 A	5 A	7 A
+12 V <sup>2</sup>	0 A	5 A	7 A
+12 V <sup>3</sup>	0 A	6 A	
+12 V <sup>4</sup>	0 A	5 A	
-12 V	0 A	0.5 A	
+5 VSB	0.1 A	3.0 A	3.5 A

**Notes:**

1. Maximum continuous total DC output power should not exceed 400 W.
2. Peak load on the combined 12 V output shall not exceed 49 A.
3. Maximum continuous load on the combined 12 V output shall not exceed 44 A.
4. Peak total DC output power should not exceed 650 W.

## 8.2.4 Grounding

The grounds of the pins of the power supply output connector provide the power return path. The output connector ground pins shall be connected to safety ground (power supply enclosure). **This grounding should be well designed to ensure passing the maximum allowed common mode noise levels.**

The power supply shall be provided with a reliable protective earth ground. All secondary circuits shall be connected to protective earth ground. Resistance of the ground returns to chassis shall not exceed 1.0 m $\Omega$ . This path may be used to carry DC current.

## 8.2.5 Standby Outputs

The 5 VSB output shall be present when an AC input greater than the power supply turn on voltage is applied.

## 8.2.6 Remote Sense

The power supply has remote sense return (ReturnS) to regulate out ground drops for all output voltages: +3.3 V, +5 V, +12 V1, +12 V2, +12 V3, -12 V, and 5 VSB. The power supply uses remote sense (3.3 VS) to regulate out drops in the system for the +3.3 V output. The +5 V, +12 V1, +12 V2, +12 V3, -12 V and 5 VSB outputs only use remote sense referenced to the ReturnS signal.

The remote sense input impedance to the power supply must be greater than 200  $\Omega$  on 3.3 VS and 5 VS; this is the value of the resistor connecting the remote sense to the output voltage internal to the power supply. Remote sense must be able to regulate out a minimum of a 200 mV drop on the +3.3 V output.

The remote sense return (ReturnS) must be able to regulate out a minimum of a 200 mV drop in the power ground return. The current in any remote sense line shall be less than 5 mA to prevent voltage sensing errors. The power supply must operate within specification over the full range of voltage drops from the power supply's output connector to the remote sense points.

## 8.2.7 Voltage Regulation

The power supply output voltages must stay within the following voltage limits when operating at steady state and dynamic loading conditions. These limits include the peak-peak ripple/noise.

**Table 34. Voltage Regulation Limits**

Parameter	Tolerance	Minimum	Nominal	Maximum	Units
+ 3.3V	- 5%/+5%	+3.14	+3.30	+3.46	V <sub>rms</sub>
+ 5V	- 5%/+5%	+4.75	+5.00	+5.25	V <sub>rms</sub>
+ 12V	- 5%/+5%	+11.40	+12.00	+12.60	V <sub>rms</sub>
- 12V	- 5%/+9%	-11.40	-12.00	-13.08	V <sub>rms</sub>
+ 5VSB	- 5%/+5%	+4.75	+5.00	+5.25	V <sub>rms</sub>



## 8.2.8 Dynamic Loading

The output voltages shall remain within limits for the step loading and capacitive loading specified in the table below. The load transient repetition rate shall be tested between 50 Hz and 5 kHz at duty cycles ranging from 10%-90%. The load transient repetition rate is only a test specification. The step load may occur anywhere within the MIN load to the MAX load conditions.

**Table 35. Transient Load Requirements**

Output	Step Load Size (See note 2)	Load Slew Rate	Test Capacitive Load
+3.3 V	6.0 A	0.25 A/ sec	250 F
+5 V	4.0 A	0.25 A/ sec	400 F
12 V	18.0 A	0.25 A/ sec	2200 F <sup>1, 2</sup>
+5 VSB	0.5 A	0.25 A/ sec	20 F

Notes:

1. Step loads on each 12 V output may happen simultaneously.
2. The +12 V should be tested with 2200 F evenly split between the four +12 V rails.

## 8.2.9 Capacitive Loading

The power supply shall be stable and meet all requirements with the following capacitive loading ranges.

**Table 36. Capacitive Loading Conditions**

Output	Minimum	Maximum	Units
+3.3 V	250	6,800	F
+5 V	400	4,700	F
+12 V	500 each	11,000	F
-12 V	1	350	F
+5 VSB	20	350	F

## 8.2.10 Closed-Loop Stability

The power supply shall be unconditionally stable under all line/load/transient load conditions including capacitive load ranges. A minimum of: 45 degrees phase margin and -10 dB gain margin is required. The power supply manufacturer shall provide proof of the unit's closed-loop stability with local sensing through the submission of bode plots. Closed-loop stability must be ensured at the maximum and minimum loads as applicable.

## 8.2.11 Common Mode Noise

The common mode noise on any output shall not exceed 350 mV pk-pk over the frequency band of 10 Hz to 30 MHz.

- The measurement shall be made across a 100  $\Omega$  resistor between each of the DC outputs, including ground, at the DC power connector and chassis ground (power subsystem enclosure).
- The test set-up shall use an FET probe such as Tektronix\* model P6046 or equivalent.

### 8.2.12 Ripple/Noise

The maximum allowed ripple/noise output of the power supply is defined in the following table. This is measured over a bandwidth of 0 Hz to 20 MHz at the power supply output connectors. A 10  $\mu$ F tantalum capacitor in parallel with a 0.1  $\mu$ F ceramic capacitor are placed at the point of measurement.

**Table 37. Ripple and Noise**

+3.3 V	+5 V	+12 V	-12 V	+5 VSB
50mVp-p	50mVp-p	120mVp-p	120mVp-p	50mVp-p

### 8.2.13 Soft Starting

The power supply shall contain a control circuit which provides a monotonic soft start for its outputs without overstress of the AC line or any power supply components at any specified AC line or load conditions. There is no requirement for rise time on the 5 V standby, but the turn on/off shall be monotonic.

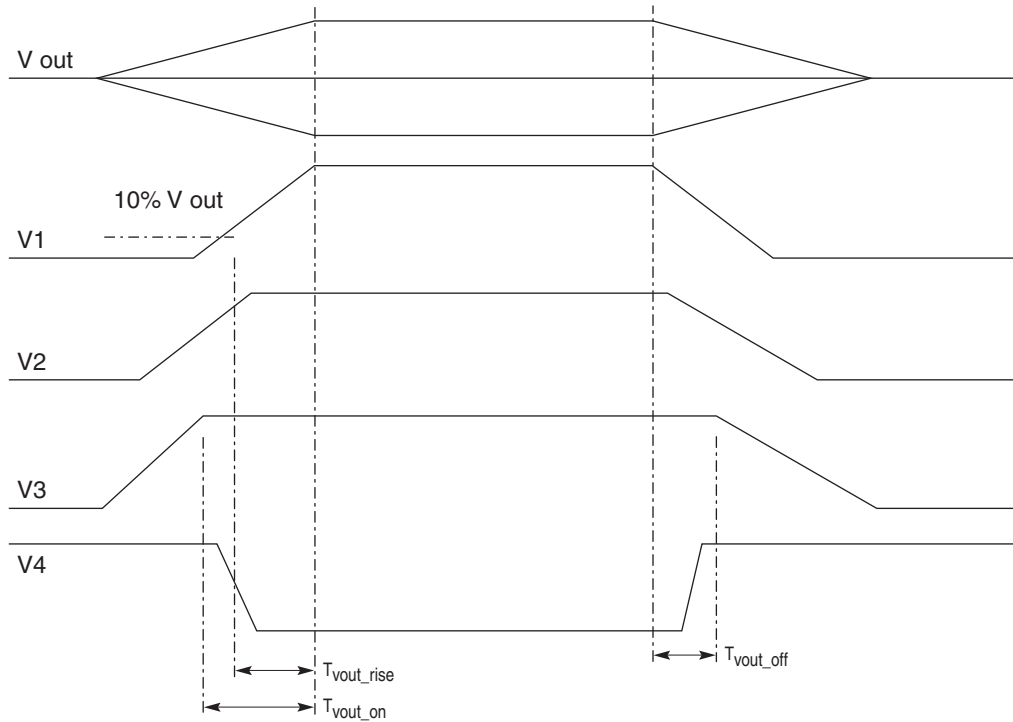
### 8.2.14 Timing Requirements

These are the timing requirements for the power supply operation. The output voltages must rise from 10% to within regulation limits ( $T_{vout\_rise}$ ) within 5 to 70 ms, except for 5VSB; it is allowed to rise from 1.0 to 25 ms. **All outputs must rise monotonically.** Each output voltage shall reach regulation within 50 ms ( $T_{vout\_on}$ ) of each other during turn on of the power supply. Each output voltage shall fall out of regulation within 400 msec ( $T_{vout\_off}$ ) of each other during turn off. The following diagrams show the timing requirements for the power supply being turned on and off via the AC input with PSON held low, and the PSON signal with the AC input applied.

**Table 38. Output Voltage Timing**

Item	Description	Minimum	Maximum	Units
$T_{vout\_rise}$	Output voltage rise time from each main output.	5.0 *	70 *	msec
$T_{vout\_on}$	All main outputs must be within regulation of each other within this time.		50	msec
$T_{vout\_off}$	All main outputs must leave regulation within this time.		400	msec

\*The 5 VSB output voltage rise time shall be from 1.0 ms to 25.0 ms

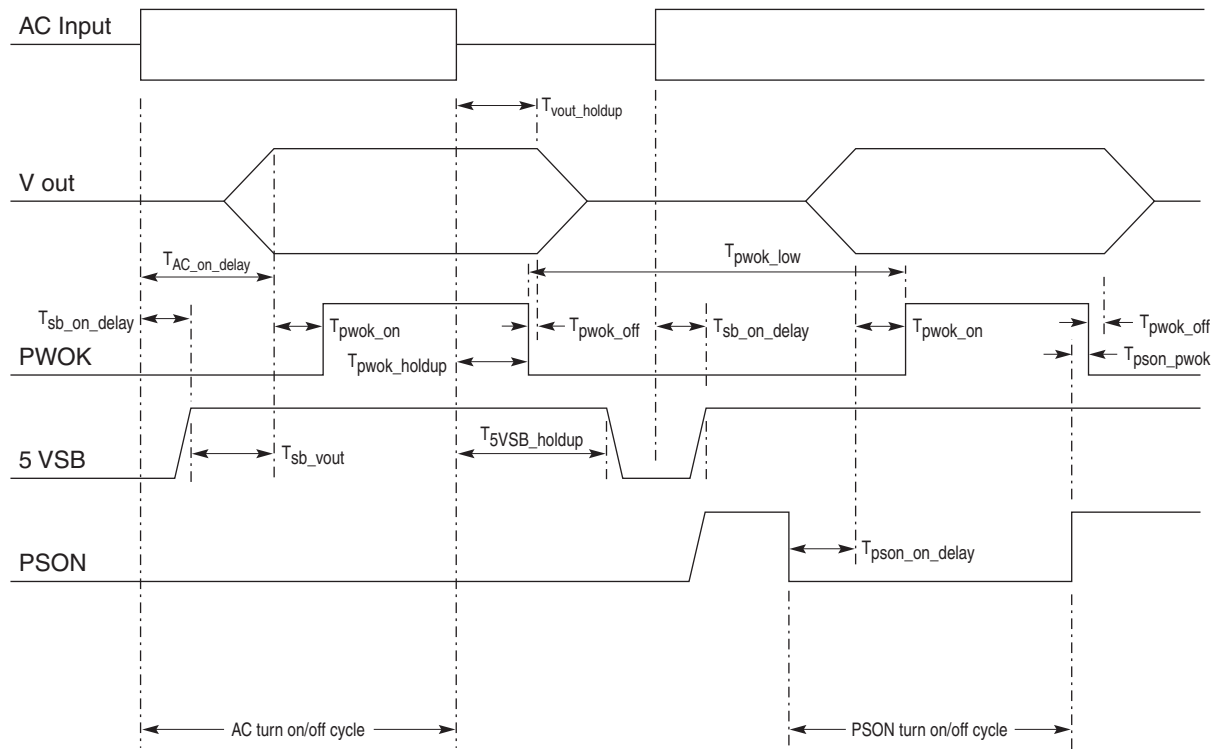


AF001023

**Figure 12. Output Voltage Timing**

**Table 39. Turn On/Off Timing**

Item	Description	Minimum	Maximum	Units
T <sub>sb_on_delay</sub>	Delay from AC being applied to 5VSB being within regulation.		1500	msec
T <sub>ac_on_delay</sub>	Delay from AC being applied to all output voltages being within regulation.		2500	msec
T <sub>vout_holdup</sub>	Time all output voltages stay within regulation after loss of AC. Measured at 75% of maximum load.	21		msec
T <sub>pwok_holdup</sub>	Delay from loss of AC to de-assertion of PWOK. Measured at 75% of maximum load.	20		msec
T <sub>pson_on_delay</sub>	Delay from PSOn <sup>#</sup> active to output voltages within regulation limits.	5	400	msec
T <sub>pson_pwok</sub>	Delay from PSOn <sup>#</sup> deactive to PWOK being de-asserted.		50	msec
T <sub>pwok_on</sub>	Delay from output voltages within regulation limits to PWOK asserted at turn on.	100	500	msec
T <sub>pwok_off</sub>	Delay from PWOK de-asserted to output voltages (3.3V, 5V, 12V, -12V) dropping out of regulation limits.	1		msec
T <sub>pwok_low</sub>	Duration of PWOK being in the de-asserted state during an off/on cycle using AC or the PSOn signal.	100		msec
T <sub>sb_vout</sub>	Delay from 5VSB being in regulation to O/Ps being in regulation at AC turn on.	50	1000	msec
T <sub>5VSB_holdup</sub>	Time the 5VSB output voltage stays within regulation after loss of AC.	70		msec



AF001024

**Figure 13. Turn On/Off Timing (Power Supply Signals)**

### 8.2.15 Residual Voltage Immunity in Standby Mode

The power supply shall be immune to any residual voltage placed on its outputs (typically a leakage voltage through the system from standby output) up to 500 mV. There shall be no additional heat generated, nor stress of any internal components with this voltage applied to any individual output, and all outputs simultaneously. It also should not trip the power supply protection circuits during turn on.

Residual voltage at the power supply outputs for a no load condition shall not exceed 100 mV when AC voltage is applied and the PSON# signal is de-asserted.

## 9. Regulatory and Certification Information

---

### WARNING

To ensure regulatory compliance, you must adhere to the assembly instructions in this guide to ensure and maintain compliance with existing product certifications and approvals. Use only the described, regulated components specified in this guide. Use of other products/components will void the UL listing and other regulatory approvals of the product and will most likely result in noncompliance with product regulations in the region(s) in which the product is sold.

To help ensure EMC compliance with your local regional rules and regulations, before computer integration, make sure that the chassis, power supply, and other modules have passed EMC testing using a server board with a microprocessor from the same family (or higher) and operating at the same (or higher) speed as the microprocessor used on this server board. The final configuration of your end system product may require additional EMC compliance testing. For more information please contact your local Intel Representative.

This is an FCC Class A device. Integration of it into a Class B chassis does not result in a Class B device.

### 9.1 Product Regulatory Compliance

**Intended Application** – This product was evaluated as Information Technology Equipment (ITE), which may be installed in offices, schools, computer rooms, and similar commercial type locations. The suitability of this product for other product categories and environments (such as: medical, industrial, telecommunications, NEBS, residential, alarm systems, test equipment, etc.), other than an ITE application, may require further evaluation. This is an FCC Class A device. Integration of it into a Class B chassis does not result in a Class B device.

#### 9.1.1 Product Safety Compliance

- UL60950 – CSA 60950 (USA/Canada)
- EN60950 (Europe)
- IEC60950 (International)
- CB Certificate & Report, IEC60950 (report to include all country national deviations)
- GOST R 50377-92 – Listed on one System License (Russia)
- Belarus License – Listed on System License (Belarus)
- CE - Low Voltage Directive 73/23/EEE (Europe)
- IRAM Certification (Argentina)

### 9.1.2 Product EMC Compliance – Class A Compliance


- FCC /ICES-003 - Emissions (USA/Canada) Verification
- CISPR 22 – Emissions (International)
- EN55022 - Emissions (Europe)
- EN55024 - Immunity (Europe)
- CE – EMC Directive 89/336/EEC (Europe)
- VCCI Emissions (Japan)
- AS/NZS 3548 Emissions (Australia/New Zealand)
- BSMI CNS13438 Emissions (Taiwan)
- GOST R 29216-91 Emissions - Listed on one System License (Russia)
- GOST R 50628-95 Immunity –Listed on one System License (Russia)
- Belarus License – Listed on one System License (Belarus)
- RRL MIC Notice No. 1997-41 (EMC) & 1997-42 (EMI) (Korea)

### 9.1.3 Certifications/Registrations/Declarations

- UL Certification or NRTL (US/Canada)
- CE Declaration of Conformity (CENELEC Europe)
- FCC/ICES-003 Class A Attestation (USA/Canada)
- C-Tick Declaration of Conformity (Australia)
- MED Declaration of Conformity (New Zealand)
- BSMI Certification (Taiwan)
- GOST – Listed on one System License (Russia)
- Belarus – Listed on one System License (Belarus)
- RRL Certification (Korea)
- Ecology Declaration (International)

## 9.2 Product Regulatory Compliance Markings

The server board is provided with the following regulatory marks:

Regulatory Compliance	Region	Marking
UL Mark	USA/Canada	
CE Mark	Europe	
EMC Marking (Class A)	Canada	CANADA ICES-003 CLASS A CANADA NMB-003 CLASSE A
BSMI Marking (Class A)	Taiwan	
		警告使用者： 這是甲類的資訊產品，在居住的環境中使用時，可能會造成射頻干擾，在這種情況下，使用者會被要求採取某些適當的對策
C-tick Marking	Australia/New Zealand	
RRL MIC Mark	Korea	 인증번호: CPU
Country of Origin	Exporting Requirements	MADE IN xxxxx (Provided by label, not silk screen)
Model Designation	Regulatory Identification	Examples (Intel® Server Board S5000VCL) for boxed type boards; or Board PB number for non-boxed boards (typically high-end boards)

## 9.3 Electromagnetic Compatibility Notices

### 9.3.1 FCC Verification Statement (USA)

This device complies with Part 15 of the FCC Rules. Operation is subject to two conditions: (1) This device may not cause harmful interference, and (2) this device must accept any interference received, including interference that may cause undesired operation.

Intel Corporation  
5200 N.E. Elam Young Parkway  
Hillsboro, OR 97124-6497  
Phone: 1-800-628-8686

This equipment has been tested and found to comply with the limits for a Class B digital device, pursuant to Part 15 of the FCC Rules. These limits are designed to provide reasonable protection against harmful interference in a residential installation. This equipment generates, uses, and can radiate radio frequency energy and, if not installed and used in accordance with the instructions, may cause harmful interference to radio communications. However, there is no guarantee that interference will not occur in a particular installation. If this equipment does cause harmful interference to radio or television reception, which can be determined by turning the equipment off and on, the user is encouraged to try to correct the interference by one or more of these measures:

- Reorient or relocate the receiving antenna.
- Increase the separation between the equipment and the receiver.
- Connect the equipment into an outlet on a circuit different from that to which the receiver is connected.
- Consult the dealer or an experienced radio/TV technician for help.

Any changes or modifications not expressly approved by the grantee of this device could void the user's authority to operate the equipment. The customer is responsible for ensuring compliance of the modified product.

All cables used to connect to peripherals must be shielded and grounded. Operation with cables, connected to peripherals that are not shielded and grounded may result in interference to radio and TV reception.



### 9.3.2 ICES-003 (Canada)

Cet appareil numérique respecte les limites bruits radioélectriques applicables aux appareils numériques de Classe B prescrites dans la norme sur le matériel brouilleur: "Appareils Numériques", NMB-003 édictée par le Ministre Canadien des Communications.

#### English translation of the notice above:

This digital apparatus does not exceed the Class B limits for radio noise emissions from digital apparatus set out in the interference-causing equipment standard entitled "Digital Apparatus," ICES-003 of the Canadian Department of Communications.

### 9.3.3 Europe (CE Declaration of Conformity)

This product has been tested in accordance too, and complies with the Low Voltage Directive (73/23/EEC) and EMC Directive (89/336/EEC). The product has been marked with the CE Mark to illustrate its compliance.

### 9.3.4 VCCI (Japan)

この装置は、情報処理装置等電波障害自主規制協議会（VCCI）の基準に基づくクラスB情報技術装置です。この装置は、家庭環境で使用することを目的としていますが、この装置がラジオやテレビジョン受信機に近接して使用されると、受信障害を引き起こすことがあります。  
取扱説明書に従って正しい取り扱いをして下さい。

#### English translation of the notice above:

This is a Class B product based on the standard of the Voluntary Control Council for Interference (VCCI) from Information Technology Equipment. If this is used near a radio or television receiver in a domestic environment, it may cause radio interference. Install and use the equipment according to the instruction manual.

### 9.3.5 BSMI (Taiwan)

The BSMI Certification Marking and EMC warning is located on the outside rear area of the product.

**警告使用者：**  
這是甲類的資訊產品，在居住的環境中使用時，可能會造成射頻干擾，在這種情況下，使用者會被要求採取某些適當的對策

### 9.3.6 RRL (Korea)

Following is the RRL certification information for Korea.



1. 기기의 명칭(모델명) :
2. 인증번호 :
3. 인증받은 자의 상호 :
4. 제조년월일 :
5. 제조사/제조국가 :

#### English translation of the notice above:

1. Type of Equipment (Model Name): On License and Product
2. Certification No.: On RRL certificate. Obtain certificate from local Intel representative
3. Name of Certification Recipient: Intel Corporation
4. Date of Manufacturer: Refer to date code on product
5. Manufacturer/Nation: Intel Corporation/Refer to country of origin marked on product

## 9.4 Restriction of Hazardous Substances (RoHS) Compliance

Intel has a system in place to restrict the use of banned substances in accordance with the European Directive 2002/95/EC. Compliance is based on declaration that materials banned in the RoHS Directive are either (1) below all applicable substance threshold limits or (2) an approved/pending RoHS exemption applies.

---

**Note:** *RoHS implementing details are not fully defined and may change.*

---

Threshold limits and banned substances are noted below.

- Quantity limit of 0.1% by mass (1000 PPM) for:
  - Lead
  - Mercury
  - Hexavalent Chromium
  - Polybrominated Biphenyls Diphenyl Ethers (PBDE)
- Quantity limit of 0.01% by mass (100 PPM) for:
  - Cadmium

## Appendix A: Integration and Usage Tips

- When adding or removing components or peripherals from the server board, AC power must be removed. With AC power plugged into the server board, 5-volt standby is still present even though the server board is powered off.
- When two processors are installed, both must be of identical revision, core voltage, and bus/core speed. Mixed processor steppings is supported. However, the stepping of one processor can not be greater than one stepping back of the other.
- Processors must be installed in order. CPU 1 is located near the edge of the server board and must be populated to operate the board.
- Only fully buffered DIMMs (FBD) are supported on this server board. For a list of supported memory for this server board, see the *Intel® Server Board S5000VCL Tested Memory List*.
- For a list of Intel supported operating systems, add-in cards, and peripherals for this server board, see the *Intel® Server Board S5000VCL Tested Hardware and OS List*.
- Only Dual-Core Intel® Xeon® processors 5100 series or low-voltage Quad-Core Intel® Xeon® processor 5300 series, with system bus speeds of 1066, or 1333 MHz are supported on this server board. Previous generation Intel® Xeon® processors are not supported.
- For a complete list of supported processors, see the following link:  
<http://support.intel.com/support/motherboards/server/S5000VCL>
- Removing AC power before performing the CMOS clear operation will cause the system to automatically power up and immediately power down after the procedure is followed and AC power is re-applied. If this happens remove the AC power cord again, wait 30 seconds, and then reconnect the AC power cord. Power up the system and proceed to the <F2> BIOS setup utility to reset desired settings.
- Normal BMC functionality is disabled with the force BMC update jumper set to the “enabled” position (pins 2-3). The server should never be run with the BMC force update jumper set in this position and should only be used when the standard firmware update process fails. This jumper should remain in the default (disabled) position (pins 1-2) when the server is running normally.
- When performing a BIOS update, the BIOS select jumper must be set to its default position (pins 2-3).

## Appendix B: Sensor Tables

This appendix lists the sensor identification numbers and information regarding the sensor type, name, supported thresholds, assertion and de-assertion information, and a brief description of the sensor purpose. See the *Intelligent Platform Management Interface Specification, Version 1.5*, for sensor and event/reading-type table information.

- **Sensor Type**

The Sensor Type references the values enumerated in the *Sensor Type Codes* table in the IPMI specification. It provides the context in which to interpret the sensor, e.g., the physical entity or characteristic that is represented by this sensor.

- **Event/Reading Type**

The Event/Reading Type references values from the *Event/Reading Type Code Ranges* and *Generic Event/Reading Type Codes* tables in the IPMI specification. Note that digital sensors are a specific type of discrete sensors, which have only two states.

- **Event Offset/Triggers**

Event Thresholds are 'supported event generating thresholds' for threshold types of sensors.

- [u,l][nr,c,nc] upper nonrecoverable, upper critical, upper noncritical, lower nonrecoverable, lower critical, lower noncritical
- uc, lc upper critical, lower critical

Event Triggers are 'supported event generating offsets' for discrete type sensors. The offsets can be found in the *Generic Event/Reading Type Codes* or *Sensor Type Codes* tables in the IPMI specification, depending on whether the sensor event/reading type is generic or a sensor specific response.

- **Assertion/De-assertion Enables**

Assertion and de-assertion indicators reveal the type of events the sensor can generate:

- As: Assertions
- De: De-assertion

- **Readable Value/Offsets**

- Readable Value indicates the type of value returned for threshold and other non-discrete type sensors.
- Readable Offsets indicate the offsets for discrete sensors that are readable via the *Get Sensor Reading* command. Unless otherwise indicated, all event triggers are readable, i.e., *Readable Offsets* consists of the reading type offsets that do not generate events.

- **Event Data**

This is the data that is included in an event message generated by the associated sensor. For threshold-based sensors, these abbreviations are used:

- R: Reading value
- T: Threshold value

- **Rearm Sensors**

- The rearm is a request for the event status for a sensor to be rechecked and updated upon a transition between good and bad states. Rearming the sensors can be done manually or automatically. This column indicates the type supported by the sensor. The following abbreviations are used in the comment column to describe a sensor:

A: Auto-rearm

M: Manual rearm

- **Default Hysteresis**

- Hysteresis setting applies to all thresholds of the sensor. This column provides the count of hysteresis for the sensor, which can be 1 or 2 (positive or negative hysteresis).

- **Criticality**

- Criticality is a classification of the severity and nature of the condition. It also controls the behavior of the Control Panel Status LED.

- **Standby**

- Some sensors operate on standby power. These sensors may be accessed and/or generate events when the main (system) power is off, but AC power is present.

## Appendix C: POST Error Messages and Handling

Whenever possible, the BIOS will output the current boot progress codes on the video screen. Progress codes are 32-bit quantities plus optional data. The 32-bit numbers include class, subclass, and operation information. The class and subclass fields point to the type of hardware that is being initialized. The operation field represents the specific initialization activity. Based on the data bit availability to display progress codes, a progress code can be customized to fit the data width. The higher the data bit, the higher the granularity of information that can be sent on the progress port. The progress codes may be reported by the system BIOS or option ROMs.

The Response section in the table is divided into two types:

- **Pause:** The message is displayed in the Error Manager screen, an error is logged to the SEL, and user input is required to continue. The user can take immediate corrective action or choose to continue booting.
- **Halt:** The message is displayed in the Error Manager screen, an error is logged to the SEL, and the system cannot boot unless the error is resolved. The user needs to replace the faulty part and restart the system.

**Table 40. POST Error Messages and Handling**

Error Code	Error Message	Response
004C	Keyboard/interface error	Pause
0012	CMOS date/time not set	Pause
5220	Configuration cleared by jumper	Pause
5221	Passwords cleared by jumper	Pause
5223	Configuration default loaded	Pause
0048	Password check failed	Halt
0141	PCI resource conflict	Pause
0146	Insufficient memory to shadow PCI ROM	Pause
8110	Processor 01 internal error (IERR) on last boot	Pause
8111	Processor 02 internal error (IERR) on last boot	Pause
8120	Processor 01 thermal trip error on last boot	Pause
8121	Processor 02 thermal trip error on last boot	Pause
8130	Processor 01 disabled	Pause
8131	Processor 02 disabled	Pause
8160	Processor 01 unable to apply BIOS update	Pause
8161	Processor 02 unable to apply BIOS update	Pause
8190	Watchdog timer failed on last boot	Pause
8198	Operating system boot watchdog timer expired on last boot	Pause
0192	L3 cache size mismatch	Halt
0194	CPUID, processor family are different	Halt
0195	Front side bus mismatch	Pause
0197	Processor speeds mismatched	Pause
8300	Baseboard management controller failed self-test	Pause
8306	Front panel controller locked	Pause

Error Code	Error Message	Response
8305	Hotswap controller failed	Pause
84F2	Baseboard management controller failed to respond	Pause
84F3	Baseboard management controller in update mode	Pause
84F4	Sensor data record empty	Pause
84FF	System event log full	Pause
8500	Memory Component could not be configured in the selected RAS mode.	Pause
8520	DIMM_A1 failed Self Test (BIST).	Pause
8521	DIMM_A2 failed Self Test (BIST).	Pause
8522	DIMM_A3 failed Self Test (BIST).	Pause
8523	DIMM_A4 failed Self Test (BIST).	Pause
8524	DIMM_B1 failed Self Test (BIST).	Pause
8525	DIMM_B2 failed Self Test (BIST).	Pause
8526	DIMM_B3 failed Self Test (BIST).	Pause
8527	DIMM_B4 failed Self Test (BIST).	Pause
8528	DIMM_C1 failed Self Test (BIST).	Pause
8529	DIMM_C2 failed Self Test (BIST).	Pause
852A	DIMM_C3 failed Self Test (BIST).	Pause
852B	DIMM_C4 failed Self Test (BIST).	Pause
852C	DIMM_D1 failed Self Test (BIST).	Pause
852D	DIMM_D2 failed Self Test (BIST).	Pause
852E	DIMM_D3 failed Self Test (BIST).	Pause
852F	DIMM_D4 failed Self Test (BIST).	Pause
8540	Memory Component lost redundancy during the last boot.	Pause
8580	DIMM_A1 Correctable ECC error encountered.	Pause
8581	DIMM_A2 Correctable ECC error encountered.	Pause
8582	DIMM_A3 Correctable ECC error encountered.	Pause
8583	DIMM_A4 Correctable ECC error encountered.	Pause
8584	DIMM_B1 Correctable ECC error encountered.	Pause
8585	DIMM_B2 Correctable ECC error encountered.	Pause
8586	DIMM_B3 Correctable ECC error encountered.	Pause
8587	DIMM_B4 Correctable ECC error encountered.	Pause
8588	DIMM_C1 Correctable ECC error encountered.	Pause
8589	DIMM_C2 Correctable ECC error encountered.	Pause
858A	DIMM_C3 Correctable ECC error encountered.	Pause
858B	DIMM_C4 Correctable ECC error encountered.	Pause
858C	DIMM_D1 Correctable ECC error encountered.	Pause
858D	DIMM_D2 Correctable ECC error encountered.	Pause
858E	DIMM_D3 Correctable ECC error encountered.	Pause
858F	DIMM_D4 Correctable ECC error encountered.	Pause
8600	Primary and secondary BIOS IDs do not match.	Pause
8601	Override jumper is set to force boot from lower alternate BIOS bank of flash ROM	Pause
8602	WatchDog timer expired (secondary BIOS may be bad!)	Pause
8603	Secondary BIOS checksum fail	Pause

## POST Error Beep Codes

The following table lists POST error beep codes. Prior to system video initialization, the BIOS uses these beep codes to inform users on error conditions. The beep code is followed by a user visible code on POST Progress LEDs.

**Table 41. POST Error Beep Codes**

Beeps	Error Message	POST Progress Code	Description
3	Memory error		System halted because a fatal error related to the memory was detected.
6	BIOS rolling back error		The system has detected a corrupted BIOS in the flash part, and is rolling back to the last good BIOS.

The BMC may generate beep codes upon detection of failure conditions. Beep codes are sounded each time the problem is discovered, such as on each power-up attempt, but are not sounded continuously. Codes that are common across all Intel® server boards and systems that use the Intel® 5000 Series Chipsets are listed in Table 42. Each digit in the code is represented by a sequence of beeps whose count is equal to the digit.

**Table 42. BMC Beep Codes**

Code	Reason for Beep	Associated Sensors	Supported?
1-5-2-1	CPU: Empty slot/population error – Processor slot 1 is not populated.	CPU Population Error	Yes
1-5-2-2	CPU: No processors (terminators only)	N/A	No
1-5-2-3	CPU: Configuration error (e.g., VID mismatch)	N/A	No
1-5-2-4	CPU: Configuration error (e.g., BSEL mismatch)	N/A	No
1-5-4-2	Power fault: DC power unexpectedly lost (power good dropout)	Power Unit – power unit failure offset	Yes
1-5-4-3	Chipset control failure	N/A	No
1-5-4-4	Power control fault	Power Unit – soft power control failure offset	Yes



## Appendix D: POST Code Diagnostic LED Decoder

During the system boot, the BIOS executes platform configuration processes, each of which is assigned a specific hex POST code number. As each configuration routine is started, the BIOS displays the POST code on the POST Code Diagnostic LEDs on the back edge of the server board. The Diagnostic LEDs identify the last POST process to be executed.

Each POST code is represented by a combination of colors from the four LEDs. The LEDs are capable of displaying three colors: green, red, and amber. The POST codes are divided into an upper nibble and a lower nibble. Each bit in the upper nibble is represented by a red LED and each bit in the lower nibble is represented by a green LED. If both bits are set in the upper and lower nibbles then both the red and green LEDs are lit, resulting in an amber color. If both bits are clear, then the LED is off.

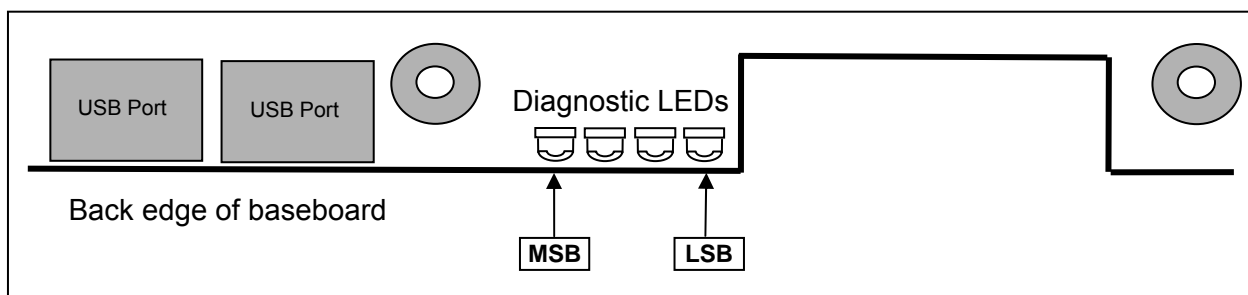
Example: The BIOS sends a value of ACh to the diagnostic LED decoder. The LEDs are decoded as:

- red bits = 1010b = Ah
- green bits = 1100b = Ch

Since the red bits correspond to the upper nibble and the green bits correspond to the lower nibble, the two are concatenated as ACh.

**Table 43. Example POST Progress Code LED**

LEDs	8h		4h		2h		1h	
	Red	Green	Red	Green	Red	Green	Red	Green
ACh	1	1	0	1	1	0	0	0
Result	Amber		Green		Red		Off	
	MSB				LSB			



**Figure 14. Diagnostic LED Placement Diagram**

**Table 44. Diagnostic LED POST Code Decoder**

Checkpoint	Diagnostic LED Decoder				Description
	G=Green, R=Red, A=Amber				
	MSB			LSB	
<b>Host Processor</b>					
0x10h	OFF	OFF	OFF	R	Power-on initialization of the host processor (bootstrap processor)
0x11h	OFF	OFF	OFF	A	Host processor cache initialization (including AP)
0x12h	OFF	OFF	G	R	Starting application processor initialization
0x13h	OFF	OFF	G	A	SMM initialization
<b>Chipset</b>					
0x21h	Off	Off	R	G	Initializing a chipset component
<b>Memory</b>					
0x22h	Off	Off	A	Off	Reading configuration data from memory (SPD on DIMM)
0x23h	Off	Off	A	G	Detecting presence of memory
0x24h	Off	G	R	Off	Programming timing parameters in the memory controller
0x25h	Off	G	R	G	Configuring memory parameters in the memory controller
0x26h	Off	G	A	Off	Optimizing memory controller settings
0x27h	Off	G	A	G	Initializing memory, such as ECC init
0x28h	G	Off	R	Off	Testing memory
<b>PCI Bus</b>					
0x50h	Off	R	Off	R	Enumerating PCI busses
0x51h	Off	R	Off	A	Allocating resources to PCI busses
0x52h	Off	R	G	R	Hot Plug PCI controller initialization
0x53h	Off	R	G	A	Reserved for PCI bus
0x54h	Off	A	Off	R	Reserved for PCI bus
0x55h	Off	A	Off	A	Reserved for PCI bus
0x56h	Off	A	G	R	Reserved for PCI bus
0x57h	Off	A	G	A	Reserved for PCI bus
<b>USB</b>					
0x58h	G	R	Off	R	Resetting USB bus
0x59h	G	R	Off	A	Reserved for USB devices
<b>ATA/ATAPI/SATA</b>					
0x5Ah	G	R	G	R	Resetting PATA/SATA bus and all devices
0x5Bh	G	R	G	A	Reserved for ATA
<b>SMBUS</b>					
0x5Ch	G	A	Off	R	Resetting SMBUS
0x5Dh	G	A	Off	A	Reserved for SMBUS
<b>Local Console</b>					
0x70h	Off	R	R	R	Resetting the video controller (VGA)
0x71h	Off	R	R	A	Disabling the video controller (VGA)
0x72h	Off	R	A	R	Enabling the video controller (VGA)
<b>Remote Console</b>					
0x78h	G	R	R	R	Resetting the console controller
0x79h	G	R	R	A	Disabling the console controller
0x7Ah	G	R	A	R	Enabling the console controller

Checkpoint	Diagnostic LED Decoder				Description
	G=Green, R=Red, A=Amber				
	MSB			LSB	
<b>Keyboard (PS2 or USB)</b>					
0x90h	R	Off	Off	R	Resetting the keyboard
0x91h	R	Off	Off	A	Disabling the keyboard
0x92h	R	Off	G	R	Detecting the presence of the keyboard
0x93h	R	Off	G	A	Enabling the keyboard
0x94h	R	G	Off	R	Clearing keyboard input buffer
0x95h	R	G	Off	A	Instructing keyboard controller to run Self Test (PS2 only)
<b>Mouse (PS2 or USB)</b>					
0x98h	A	Off	Off	R	Resetting the mouse
0x99h	A	Off	Off	A	Detecting the mouse
0x9Ah	A	Off	G	R	Detecting the presence of mouse
0x9Bh	A	Off	G	A	Enabling the mouse
<b>Fixed Media</b>					
0xB0h	R	Off	R	R	Resetting fixed media device
0xB1h	R	Off	R	A	Disabling fixed media device
0xB2h	R	Off	A	R	Detecting presence of a fixed media device (IDE hard drive detection, etc.)
0xB3h	R	Off	A	A	Enabling/configuring a fixed media device
<b>Removable Media</b>					
0xB8h	A	Off	R	R	Resetting removable media device
0xB9h	A	Off	R	A	Disabling removable media device
0xBAh	A	Off	A	R	Detecting presence of a removable media device (IDE CDROM detection, etc.)
0xBCh	A	G	R	R	Enabling/configuring a removable media device
<b>Boot Device Selection</b>					
0xD0	R	R	Off	R	Trying boot device selection
0xD1	R	R	Off	A	Trying boot device selection
0xD2	R	R	G	R	Trying boot device selection
0xD3	R	R	G	A	Trying boot device selection
0xD4	R	A	Off	R	Trying boot device selection
0xD5	R	A	Off	A	Trying boot device selection
0xD6	R	A	G	R	Trying boot device selection
0xD7	R	A	G	A	Trying boot device selection
0xD8	A	R	Off	R	Trying boot device selection
0xD9	A	R	Off	A	Trying boot device selection
0XDA	A	R	G	R	Trying boot device selection
0xDB	A	R	G	A	Trying boot device selection
0xDC	A	A	Off	R	Trying boot device selection
0xDE	A	A	G	R	Trying boot device selection
0xDF	A	A	G	A	Trying boot device selection
<b>Pre-EFI Initialization (PEI) Core</b>					
0xE0h	R	R	R	Off	Started dispatching early initialization modules (PEIM)
0xE2h	R	R	A	Off	Initial memory found, configured, and installed correctly

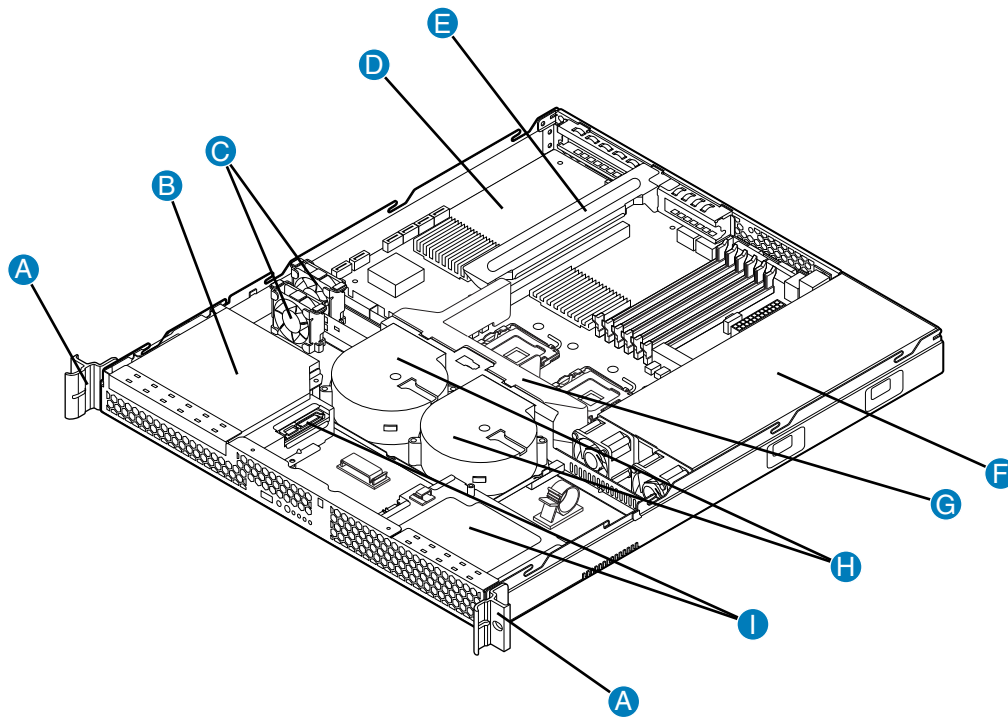
Checkpoint	Diagnostic LED Decoder				Description
	G=Green, R=Red, A=Amber				
	MSB			LSB	
0xE1h	R	R	R	G	Reserved for initialization module use (PEIM)
0xE3h	R	R	A	G	Reserved for initialization module use (PEIM)
<b>Driver Execution Environment (DXE) Core</b>					
0xE4h	R	A	R	Off	Entered EFI driver execution phase (DXE)
0xE5h	R	A	R	G	Started dispatching drivers
0xE6h	R	A	A	Off	Started connecting drivers
<b>DXE Drivers</b>					
0xE7h	R	A	A	G	Waiting for user input
0xE8h	A	R	R	Off	Checking password
0xE9h	A	R	R	G	Entering BIOS setup
0xEAh	A	R	A	Off	Flash Update
0xEEh	A	A	A	Off	Calling Int 19. One beep unless silent boot is enabled.
0xEFh	A	A	A	G	Unrecoverable boot failure/S3 resume failure
<b>Runtime Phase/EFI Operating System Boot</b>					
0xF4h	R	A	R	R	Entering Sleep state
0xF5h	R	A	R	A	Exiting Sleep state
0xF8h	A	R	R	R	Operating system has requested EFI to close boot services (ExitBootServices ( ) has been called)
0xF9h	A	R	R	A	Operating system has switched to virtual address mode (SetVirtualAddressMap ( ) has been called)
0xFAh	A	R	A	R	Operating system has requested the system to reset (ResetSystem ( ) has been called)
<b>Pre-EFI Initialization Module (PEIM)/Recovery</b>					
0x30h	Off	Off	R	R	Crisis recovery has been initiated because of a user request
0x31h	Off	Off	R	A	Crisis recovery has been initiated by software (corrupt flash)
0x34h	Off	G	R	R	Loading crisis recovery capsule
0x35h	Off	G	R	A	Handing off control to the crisis recovery capsule
0x3Fh	G	G	A	A	Unable to complete crisis recovery.

## Appendix E: Supported Intel® Server Chassis

The Intel® Server Board S5000VCL/S5000VCLR (SATA) is supported in these Intel 1U high density rack mount server systems: Intel® Server System SR1530CL/SR1530CLR and Intel® Server System SR1530HCL/SR1530HCLR.

The Intel® Server Board S5000VCLSASBB/BBS5000VCLSASR (SAS) is supported in the Intel® Server System SR1530HCLS/SR1530HCLSR.

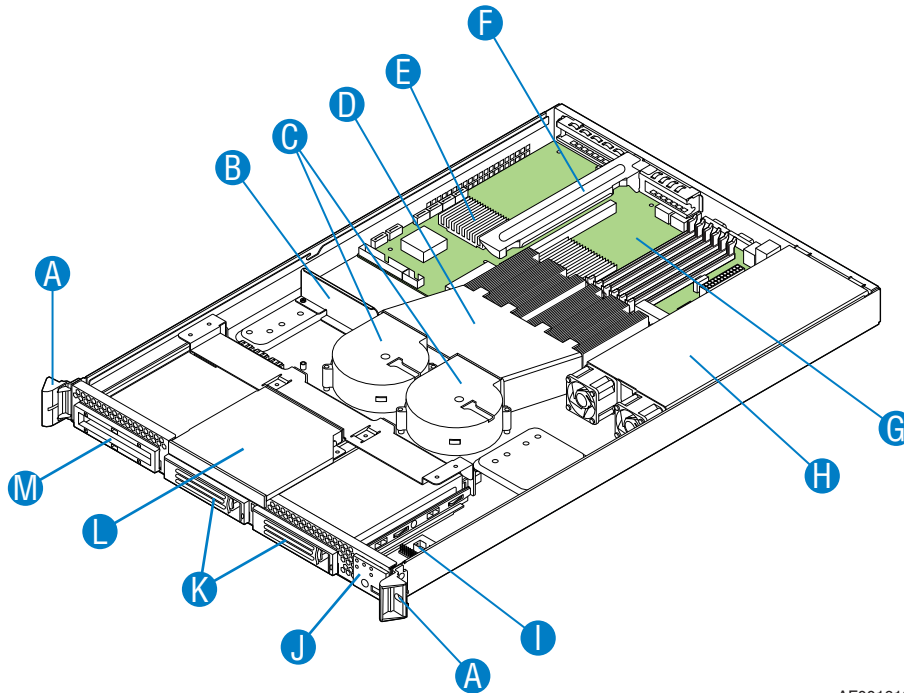
See the *Intel® Server Systems SR1535CL/SR1530HCL/SR1530HCLS and SR1535CLR/SR1530HCLR/SR1530HCLSR Technical Product Specification* for more information.



AF001026

A	Rack handles	F	400 watt power supply
B	Slimline drive bay (drive not included)	G	Processor air duct
C	Power supply fans	H	Fan modules
D	Intel® Server Board S5000VCL	I	Hard drive bays (drives not included)
E	PCI add-in riser assembly		

**Figure 15. Intel® Server System SR1530CL/SR1530CLR**



AF001612

A	Rack handles	H	400 W power supply
B	Air baffle	I	Front panel board
C	Power supply fans	J	Control panel
D	Processor air duct	K	Hard drive bays (drives not included)
E	Full-height PCI riser card	L	Optical drive bay (drive not included)
F	Low-profile PCI riser card	M	Hard drive bay (drive not included)
G	Intel® Server Board S5000VCL		

**Figure 16. Intel® Server System SR1530HCL/SR1530HCLR**

## Glossary

Term	Definition
ACPI	Advanced Configuration and Power Interface
AP	Application Processor
APIC	Advanced Programmable Interrupt Control
ASIC	Application Specific Integrated Circuit
ASMI	Advanced Server Management Interface
BIOS	Basic Input/Output System
BIST	Built-In Self Test
BMC	Baseboard Management Controller
Bridge	Circuitry connecting one computer bus to another, allowing an agent on one to access the other
BSP	Bootstrap Processor
byte	8-bit quantity.
CBC	Chassis Bridge Controller (A microcontroller connected to one or more other CBCs, together they bridge the IPMB buses of multiple chassis.
CEK	Common Enabling Kit
CHAP	Challenge Handshake Authentication Protocol
CMOS	In terms of this specification, this describes the PC-AT compatible region of battery-backed 128 bytes of memory, which normally resides on the server board.
DPC	Direct Platform Control
EEPROM	Electrically Erasable Programmable Read-Only Memory
EHCI	Enhanced Host Controller Interface
EMP	Emergency Management Port
EPS	External Product Specification
ESB2	Enterprise South Bridge 2
FBD	Fully Buffered DIMM
FMB	Flexible Mother Board
FRB	Fault Resilient Booting
FRU	Field Replaceable Unit
FSB	Front Side Bus
GB	1024MB
GPIO	General Purpose I/O
GTL	Gunning Transceiver Logic
HSC	Hot-Swap Controller
Hz	Hertz (1 cycle/second)
I2C	Inter-Integrated Circuit Bus
IA	Intel® Architecture
IBF	Input Buffer
ICH	I/O Controller Hub
ICMB	Intelligent Chassis Management Bus
IERR	Internal Error
IFB	I/O and Firmware Bridge
INTR	Interrupt
IP	Internet Protocol
IPMB	Intelligent Platform Management Bus

Term	Definition
IPMI	Intelligent Platform Management Interface
IR	Infrared
ITP	In-Target Probe
KB	1024 bytes
KCS	Keyboard Controller Style
LAN	Local Area Network
LCD	Liquid Crystal Display
LED	Light Emitting Diode
LPC	Low Pin Count
LUN	Logical Unit Number
MAC	Media Access Control
MB	1024KB
MCH	Memory Controller Hub
MD2	Message Digest 2 – Hashing Algorithm
MD5	Message Digest 5 – Hashing Algorithm – Higher Security
ms	milliseconds
MTTR	Memory Type Range Register
Mux	Multiplexor
NIC	Network Interface Controller
NMI	Nonmaskable Interrupt
OBF	Output Buffer
OEM	Original Equipment Manufacturer
Ohm	Unit of electrical resistance
PEF	Platform Event Filtering
PEP	Platform Event Paging
PIA	Platform Information Area (This feature configures the firmware for the platform hardware)
PLD	Programmable Logic Device
PMI	Platform Management Interrupt
POST	Power-On Self Test
PSMI	Power Supply Management Interface
PWM	Pulse-Width Modulation
RAM	Random Access Memory
RASUM	Reliability, Availability, Serviceability, Usability, and Manageability
RISC	Reduced Instruction Set Computing
ROM	Read Only Memory
RTC	Real-Time Clock (Component of ICH peripheral chip on the server board)
SDR	Sensor Data Record
SECC	Single Edge Connector Cartridge
SEEPROM	Serial Electrically Erasable Programmable Read-Only Memory
SEL	System Event Log
SIO	Server Input/Output
SMI	Server Management Interrupt (SMI is the highest priority nonmaskable interrupt)
SMM	Server Management Mode
SNMP	Simple Network Management Protocol
TBD	To Be Determined



Term	Definition
TIM	Thermal Interface Material
UART	Universal Asynchronous Receiver/Transmitter
UDP	User Datagram Protocol
UHCI	Universal Host Controller Interface
UTC	Universal time coordinare
VID	Voltage Identification
VRD	Voltage Regulator Down
Word	16-bit quantity
ZIF	Zero Insertion Force

## ***Reference Documents***

*Intel® 5000 Series Chipsets Server Board Family Datasheet.*