



Intel® NUC 11 Pro Kit NUC11TNHi30P  
Intel® NUC 11 Pro Kit NUC11TNHi50W  
Intel® NUC 11 Pro Kit NUC11TNHi70Q

[User Guide](#)

---

*January 2021*



You may not use or facilitate the use of this document in connection with any infringement or other legal analysis concerning Intel products described herein. You agree to grant Intel a non-exclusive, royalty-free license to any patent claim thereafter drafted which includes subject matter disclosed herein.

No license (express or implied, by estoppel or otherwise) to any intellectual property rights is granted by this document.

All information provided here is subject to change without notice. Contact your Intel representative to obtain the latest Intel product specifications and roadmaps.

The products described may contain design defects or errors known as errata which may cause the product to deviate from published specifications. Current characterized errata are available on request.

Copies of documents which have an order number and are referenced in this document may be obtained by calling 1-800-548-4725 or by visiting: <http://www.intel.com/design/literature.htm>.

Intel technologies' features and benefits depend on system configuration and may require enabled hardware, software or service activation. Performance varies depending on system configuration. No computer system can be absolutely secure.

Intel and the Intel logo are trademarks of Intel Corporation or its subsidiaries in the U.S. and/or other countries.

\*Other names and brands may be claimed as the property of others.

Copyright © 2021, Intel Corporation. All rights reserved.

## Contents

---

<b>1.0</b>	<b>Introduction</b> .....	<b>5</b>
1.1	Before You Begin .....	5
1.2	Installation Precautions.....	5
1.3	Observe Safety and Regulatory Requirements.....	6
<b>2.0</b>	<b>Open the Chassis</b> .....	<b>7</b>
<b>3.0</b>	<b>Upgrade System Memory</b> .....	<b>8</b>
3.1	Upgrade to Different Memory .....	8
3.2	Install Additional Memory .....	9
<b>4.0</b>	<b>Change the M.2 SSD</b> .....	<b>10</b>
<b>5.0</b>	<b>Install a 2.5" SSD or Hard Drive</b> .....	<b>12</b>
<b>6.0</b>	<b>Close the Chassis</b> .....	<b>14</b>
<b>7.0</b>	<b>Use the VESA Bracket (Optional)</b> .....	<b>15</b>
<b>8.0</b>	<b>Connect Power</b> .....	<b>17</b>
<b>9.0</b>	<b>Install an Operating System</b> .....	<b>18</b>
<b>10.0</b>	<b>Install the Latest Device Drivers and Software</b> .....	<b>19</b>

## Revision History

---

Date	Revision	Description
January 2021	1.0	Initial release.

## 1.0 Introduction

---

This User Guide provides step-by-step installation instructions for these products:

- Intel® NUC 11 Pro Kit NUC11TNHi30P
- Intel® NUC 11 Pro Kit NUC11TNHi50W
- Intel® NUC 11 Pro Kit NUC11TNHi70Q

### 1.1 Before You Begin



#### CAUTIONS

*The steps in this guide assume you're familiar with computer terminology and with the safety practices and regulatory compliance required for using and modifying computer equipment.*

*Disconnect the computer from its power source and from any network before performing any of the steps described in this guide.*

*Failure to disconnect power, telecommunications links, or networks before you open the computer or perform any procedures can result in personal injury or equipment damage. Some circuitry on the board can continue to operate even though the front panel power button is off.*

Follow these guidelines before you begin:

- Always follow the steps in each procedure in the correct order.
- Create a log to record information about your computer, such as model, serial numbers, installed options, and configuration information.
- Electrostatic discharge (ESD) can damage components. Perform the procedures described in this chapter only at an ESD workstation using an antistatic wrist strap and a conductive foam pad. If such a station isn't available, you can provide some ESD protection by wearing an antistatic wrist strap and attaching it to a metal part of the computer chassis.

### 1.2 Installation Precautions

When you install and test the Intel NUC, observe all warnings and cautions in the installation instructions.

To avoid injury, be careful of:

- Sharp pins on connectors
- Sharp pins on circuit boards
- Rough edges and sharp corners on the chassis
- Hot components (such as SSDs, processors, voltage regulators, and heat sinks)
- Damage to wires that could cause a short circuit

Observe all warnings and cautions that instruct you to refer computer servicing to qualified technical personnel.

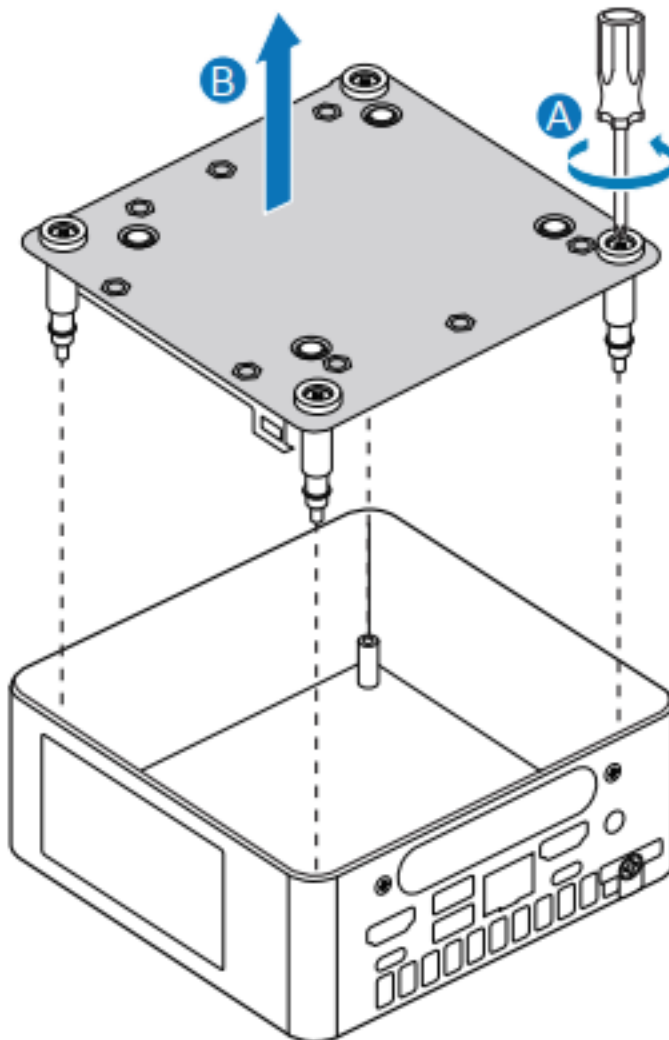
### **1.3 Observe Safety and Regulatory Requirements**

If you don't follow these instructions, you increase your safety risk and the possibility of noncompliance with regional laws and regulations.

## 2.0 *Open the Chassis*

---

Unscrew the four corner screws on the bottom of the chassis and lift the cover.





## 3.0 Upgrade System Memory

Intel® NUC 11 Pro Kit NUC11TNHi30P, Intel® NUC 11 Pro Kit NUC11TNHi50W and Intel® NUC 11 Pro Kit NUC11TNHi70Q have two 260-pin DDR4 SO-DIMM memory slots.

### Pre-installed memory

Intel® NUC 11 Pro Kit NUC11TNHi30P	Two 4GB memory modules
Intel® NUC 11 Pro Kit NUC11TNHi50W	Two 4GB memory modules
Intel® NUC 11 Pro Kit NUC11TNHi70Q	Two 8GB memory modules

To upgrade memory, be sure to select memory modules that meet these requirements:

- 1.2V low voltage memory
- 2133/2400/3200 MHz SO-DIMMs
- Non-ECC

Find compatible system memory modules at the Intel® Product Compatibility Tool:

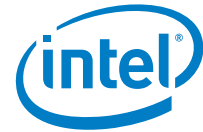
- [Intel® NUC 11 Pro Kit NUC11TNHi30P](#)
- [Intel® NUC 11 Pro Kit NUC11TNHi50W](#)
- [Intel® NUC 11 Pro Kit NUC11TNHi70Q](#)

<b>NOTE</b>	If you plan to install only one memory module, install it in the lower memory socket.
-------------	---

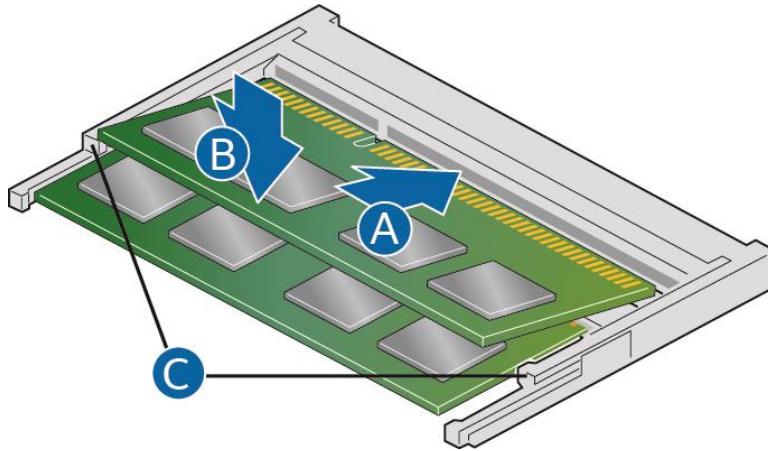
## 3.1 Upgrade to Different Memory

1. Observe the precautions in "Before You Begin" in Section 1.1.
2. Turn off all peripheral devices connected to the computer.
3. Turn off the computer and disconnect the power cord.
4. Remove the computer's bottom chassis cover.
5. Remove the pre-installed memory module
  - a. Gently spread the retaining clips at each end of the memory socket, which causes the module to pop out of the socket (C).
  - b. Holding the module by the edges, lift it away from the socket, and store it in an anti-static package.
6. Install the new memory module
  - a. Align the small space at the bottom edge of the memory module with the key in the socket.
  - b. Insert the bottom edge of the module at a 45 degree angle into





- the socket (A).
- c. When the module is inserted, push down on the outer edges of the module until the retaining clips snap into place (B). Make sure the clips are firmly in place (C).



## 3.2 Install Additional Memory

1. Observe the precautions in "Before You Begin" in Section 1.1.
2. Turn off all peripheral devices connected to the computer.
3. Turn off the computer and disconnect the power cord.
4. Remove the computer's bottom chassis cover.
5. Install the additional module:
  - a. Align the small space at the bottom edge of the memory module with the key on the socket.
  - b. Insert the bottom edge of the module at a 45 degree angle into the socket (A).
  - c. When the module is inserted, push down on the outer edges of the module until the retaining clips snap into place (B). Make sure the clips are firmly in place (C).
6. Reinstall and reconnect any parts you removed or disconnected to reach the memory sockets.
7. Replace the computer's cover and reconnect the power cord.

## 4.0 Change the M.2 SSD

Intel® NUC 11 Pro Kit NUC11TNHi30P, Intel® NUC 11 Pro Kit NUC11TNHi50W and Intel® NUC 11 Pro Kit NUC11TNHi70Q support 80mm and 42mm SSDs.

### Pre-installed M.2

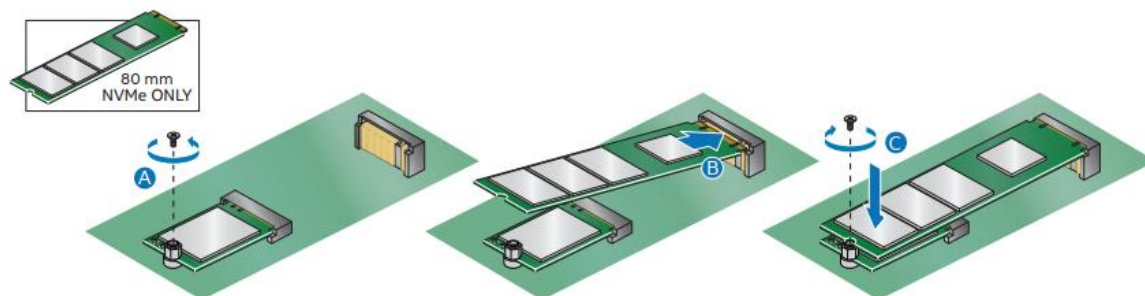
Intel® NUC 11 Pro Kit NUC11TNHi30P	256GB NVMe SSD
Intel® NUC 11 Pro Kit NUC11TNHi50W	500GB NVMe SSD
Intel® NUC 11 Pro Kit NUC11TNHi70Q	500GB NVMe SSD

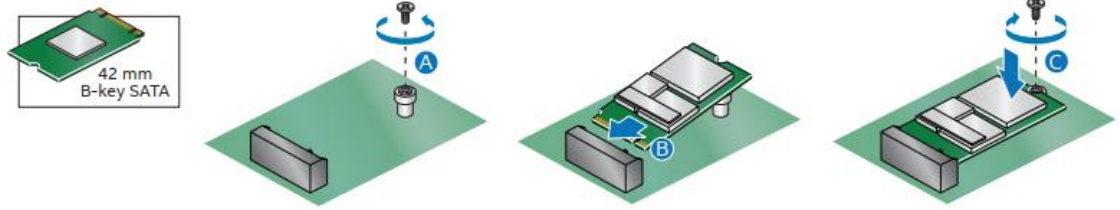
Find compatible M.2 SSDs in the Intel Product Compatibility Tool:

- [Intel® NUC 11 Pro Kit NUC11TNHi30P](#)
- [Intel® NUC 11 Pro Kit NUC11TNHi50W](#)
- [Intel® NUC 11 Pro Kit NUC11TNHi70Q](#)

To install a different M.2 SSD:

1. Remove the small silver screw from the 80mm or 42mm metal standoff on the board (A).
2. Remove the pre-installed SSD from the connector.
3. Align the space at the bottom of the new M.2 SSD to the key on the connector.
4. Insert the bottom edge of the M.2 SSD into the connector (B).
5. Secure the card to the standoff with the small silver screw (C).





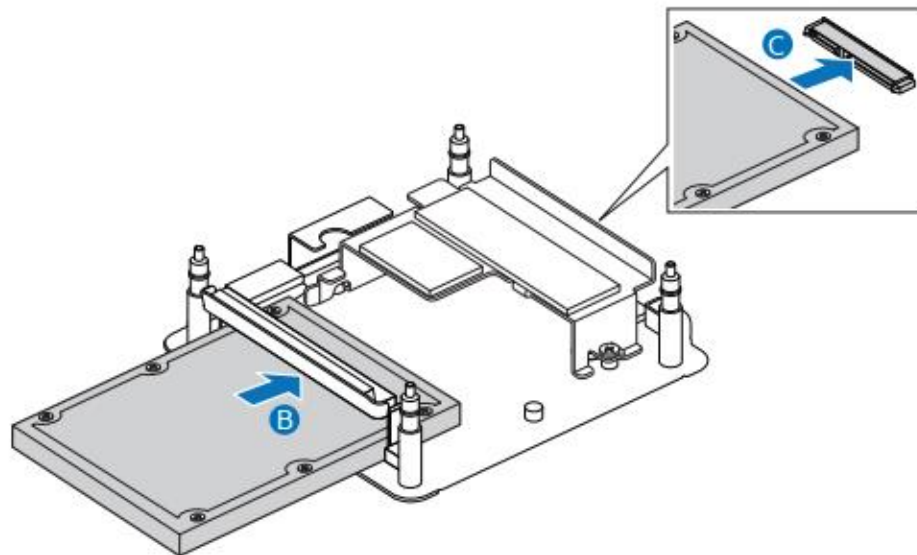
## 5.0 Install a 2.5" SSD or Hard Drive

Intel® NUC 11 Pro Kit NUC11TNHi30P, Intel® NUC 11 Pro Kit NUC11TNHi50W and Intel® NUC 11 Pro Kit NUC11TNHi70Q support an additional 2.5" Solid State Drive (SSD) or Hard Disk Drive (HDD).

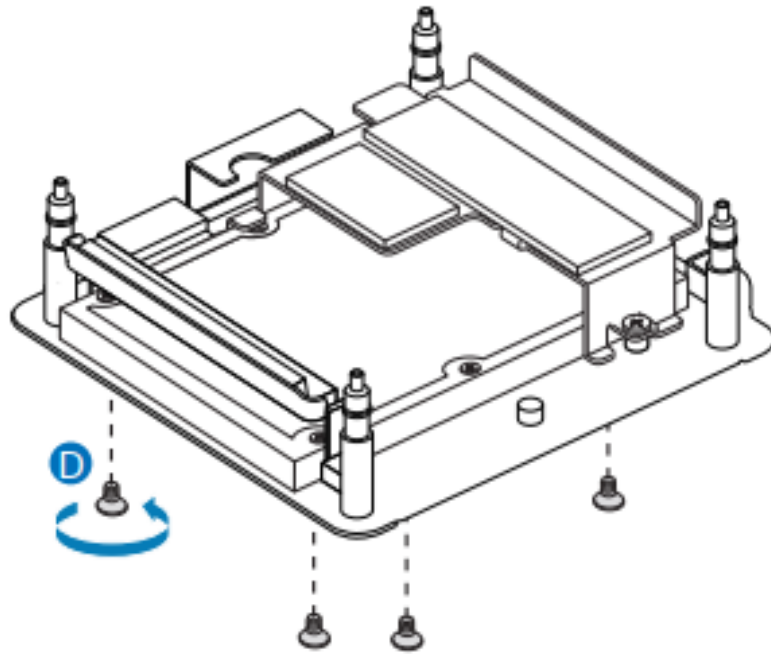
Find compatible 2.5" drives in the Intel Product Compatibility Tool:

- [Intel® NUC 11 Pro Kit NUC11TNHi30P](#)
- [Intel® NUC 11 Pro Kit NUC11TNHi50W](#)
- [Intel® NUC 11 Pro Kit NUC11TNHi70Q](#)

1. Unscrew the four screws holding the current drive in the bay.
2. Remove the pre-installed drive from the drive bay.
3. Slide the new 2.5" drive into the drive bay, ensuring the SATA connectors are fully seated into the connectors of the SATA daughter card (A).



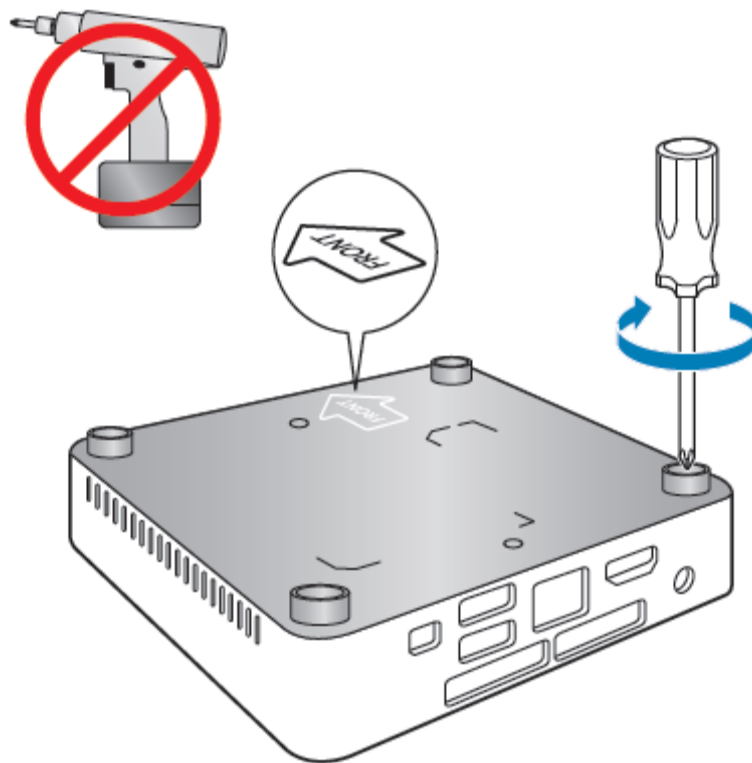
4. Secure the drive into the drive bay with the four screws that were used in step 1. Set the drive bay bracket down inside the chassis (C).



## 6.0 Close the Chassis

---

After all components have been installed, close the Intel NUC chassis. Intel recommends this be done by hand with a screwdriver to avoid over-tightening and possibly damaging the screws.

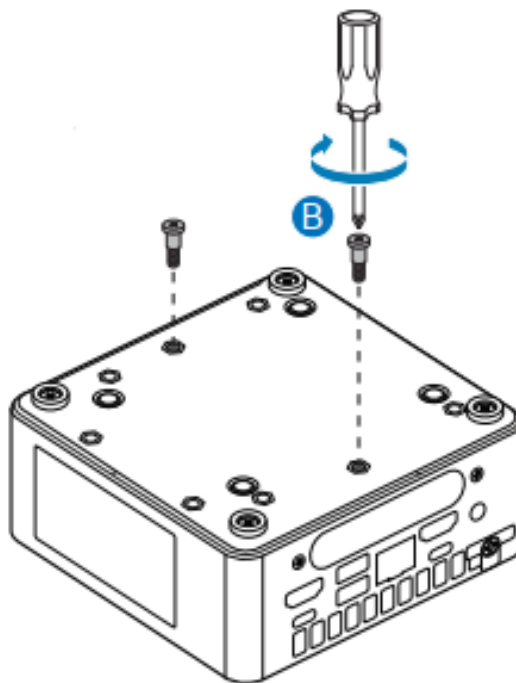


## 7.0 Use the VESA Bracket (Optional)

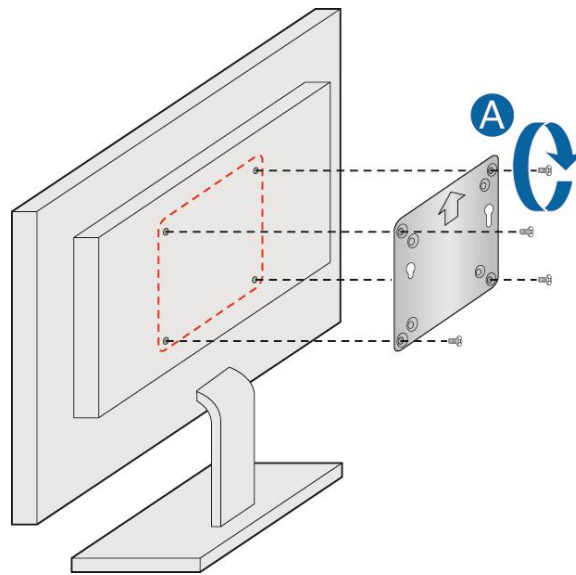
---

Follow these instructions to attach and use the VESA mount bracket:

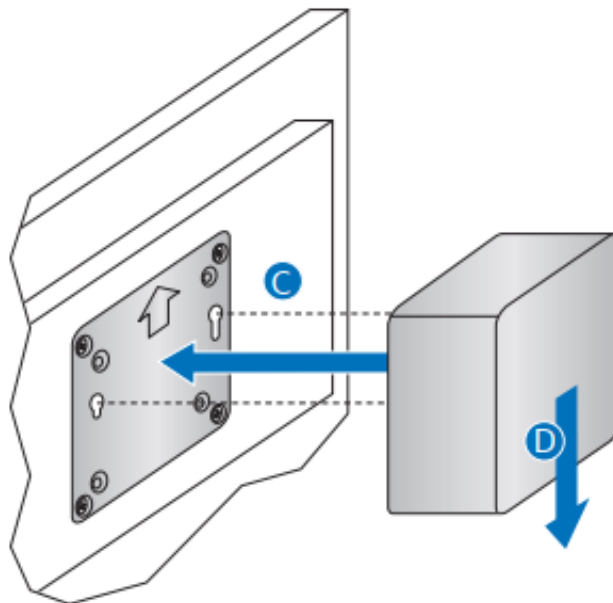
1. Using the four small black screws that were included in the box, attach the VESA bracket to the back of the monitor or TV.



2. Attach the two slightly larger black screws to the bottom chassis cover of the Intel NUC.



3. Slide the Intel NUC onto the VESA mount bracket.

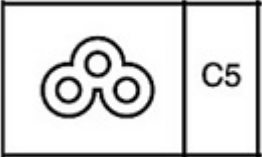


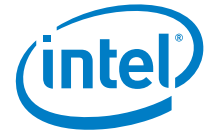




## 8.0 Connect Power

Each Intel NUC model includes either a region-specific AC power cord or no AC power cord (only the power adapter).

Product codes	Power cord type
BNUC11TNHI30P00 BNUC11TNHI50W00 BNUC11TNHI70Q00	No power cord included. An AC power cord needs to be purchased separately. Power cords are available at many Internet sites for use in multiple countries. The connector on the power adapter is a C5 type connector. 
BNUC11TNHI30P01 BNUC11TNHI50W01 BNUC11TNHI70Q01	US power cord included.
BNUC11TNHI30P02 BNUC11TNHI50W02 BNUC11TNHI70Q02	EU power cord included.



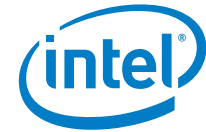
## 9.0 *Install an Operating System*

---

See [Supported Operating Systems](#) for a list of Intel-validated Windows\* operating systems.

The [Intel Product Compatibility Tool](#) lists versions of Linux\* that have been reported as compatible by Intel NUC owners. If you need assistance with Linux on your Intel NUC, check the distribution's website and forums for peer assistance.

Refer to [Operating System Installation](#) for system requirements and installation steps.



## 10.0 *Install the Latest Device Drivers and Software*

---

Here are the options for keeping device drivers current:

- Allow the [Intel® Driver & Support Assistant \(Intel® DSA\)](#) to detect out-of-date drivers
- Manually download drivers, BIOS, and software from Download Center:
  - [Intel® NUC 11 Pro Kit NUC11TNHi30P](#)
  - [Intel® NUC 11 Pro Kit NUC11TNHi50W](#)
  - [Intel® NUC 11 Pro Kit NUC11TNHi70Q](#)