

EDISON BREAKOUT BOARD		
Title		
Title page		
Size	Document Number	Rev
B	H49905	2
Date:	Tuesday, August 26, 2014	Sheet 1 of 8

Intel® Edison Design Document

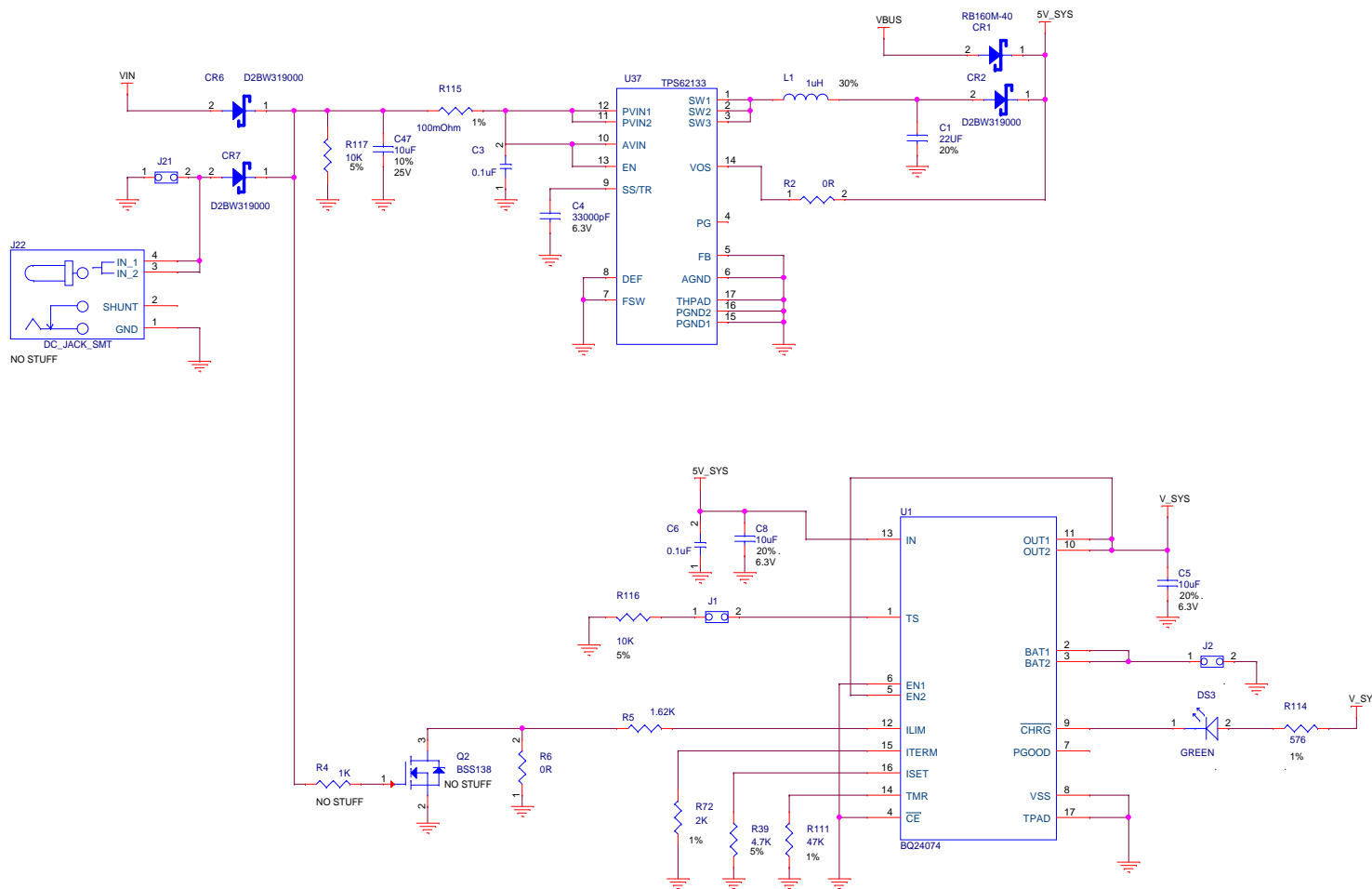
This Intel® Edison design document is licensed by Intel under the terms of the Creative Commons Attribution Share-Alike License (ver. 3), subject to the following terms and conditions.

The Intel® Edison design document IS PROVIDED "AS IS" AND "WITH ALL FAULTS." Intel DISCLAIMS ALL OTHER WARRANTIES, EXPRESS OR IMPLIED REGARDING THE EDISON DESIGN OR THIS EDISON DESIGN DOCUMENT INCLUDING, BUT NOT LIMITED TO, ANY IMPLIED WARRANTIES OF MERCHANTABILITY OR FITNESS FOR A PARTICULAR PURPOSE.

Intel® may make changes to the specifications, schematics and product descriptions at any time, without notice. The Customer must not rely on the absence or characteristics of any features or instructions marked "reserved" or "undefined." Intel® reserves these for future definition and shall have no responsibility whatsoever for conflicts or incompatibilities arising from future changes to them. ENJOY!

- 1) TITLE PAGE
- 2) TABLE OF CONTENTS
- 3) POWER SUPPLIES
- 4) UART TO USB DEBUG PORT
- 5) HEADERS
- 6) USB A AND B PORTS
- 7) BUTTON AND I/O CONNECTIONS
- 8) TEST POINTS

EDISON BREAKOUT BOARD			
Title		TABLE OF CONTENTS	
Size A	Document Number H49905	Rev 2	
Date: Tuesday, August 26, 2014		Sheet	2 of 8



$$I_{set} = 890 / R_{iset} = 190\text{ma}$$

$$3.15\text{V} < V_{SYS} < 4.4\text{V}$$

$$I_{term} = 0.03 * R_{term} / R_{iset} = 14\text{ma}$$

$$T_{mr} = 8 * R_{tmr} / 1\text{k} = 376\text{min} = 6.2 \text{ hrs if floating } 5 \text{ hrs}$$

$$I_{lim} = 1550 / R_{ilim}$$

EN2	EN1	Maximum input current into IN pin
0	0	100 mA. USB100 mode
0	1	500 mA. USB500 mode
1	0	Set by an external resistor from ILIM to VSS
1	1	Standby (USB suspend mode)

EDISON BREAKOUT BOARD

Title

POWER SUPPLIES

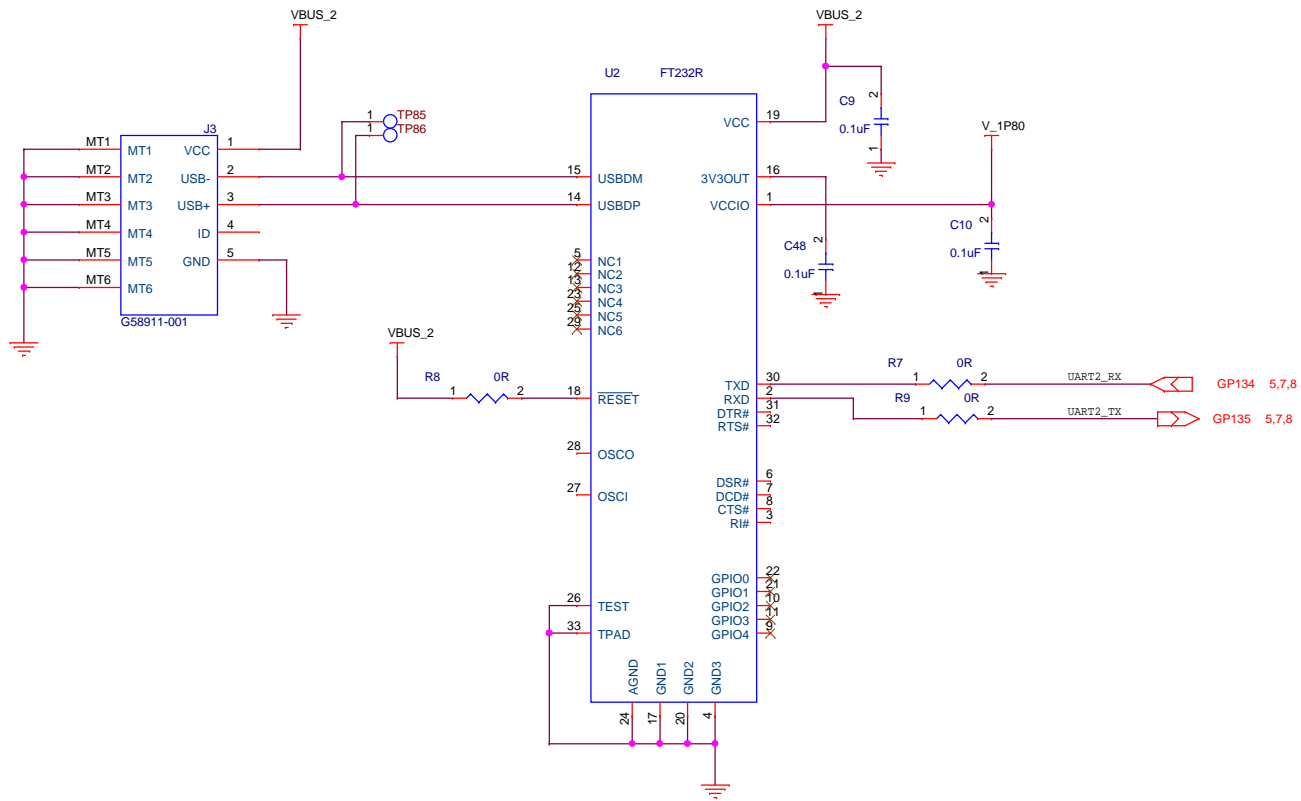
Size
A

Document Number
H49905

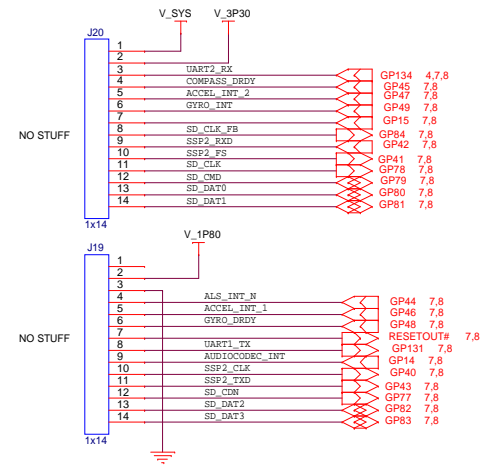
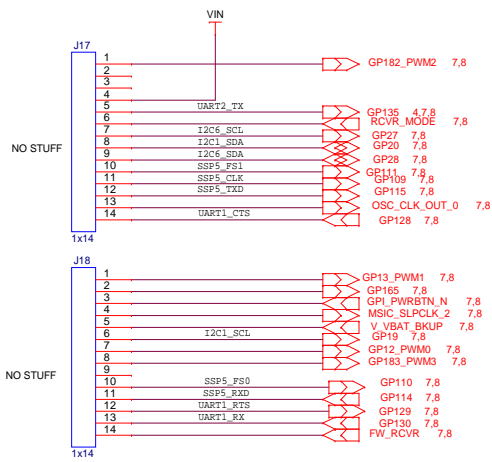
Rev
2

Date: Tuesday, August 26, 2014

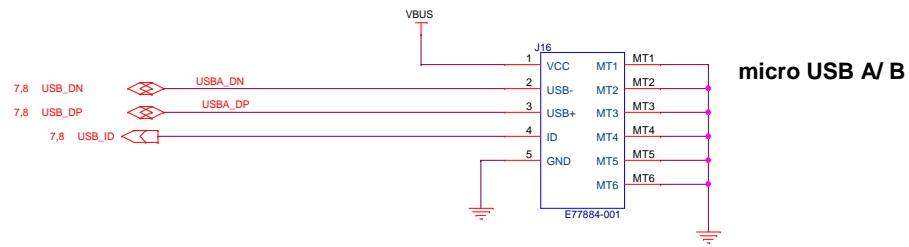
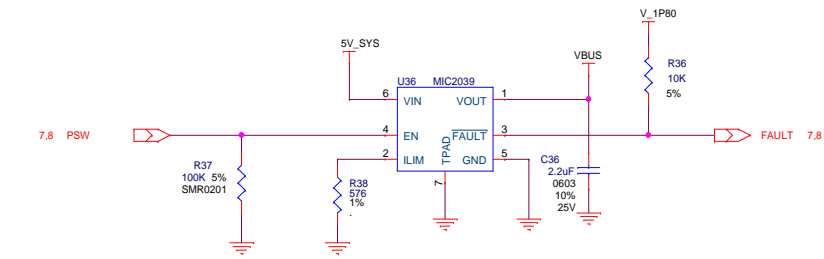
Sheet 3 of 8



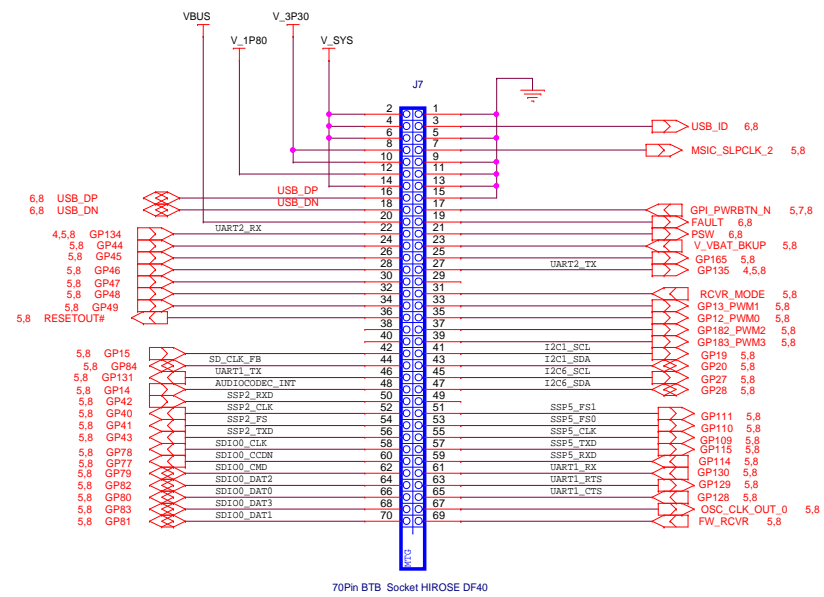
EDISON BREAKOUT BOARD		
Title		
UART TO USB		
Size	Document Number	Rev
B	H49905	2
Date:	Tuesday, August 26, 2014	Sheet 4 of 8



EDISON BREAKOUT BOARD		
Title		
HEADERS		
Size	Document Number	Rev
A	H49905	2
Date:	Tuesday, August 26, 2014	Sheet 5 of 8

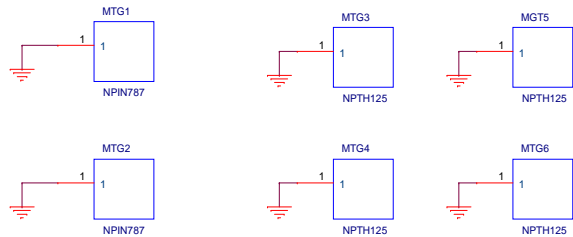
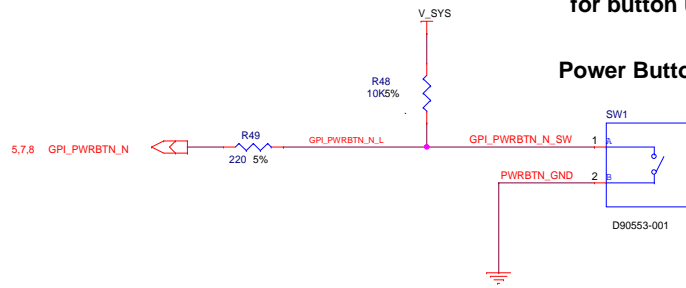


EDISON BREAKOUT BOARD		
Title USB - OTG		
Size A	Document Number H49905	Rev 2
Date:	Tuesday, August 26, 2014	Sheet 6 of 8

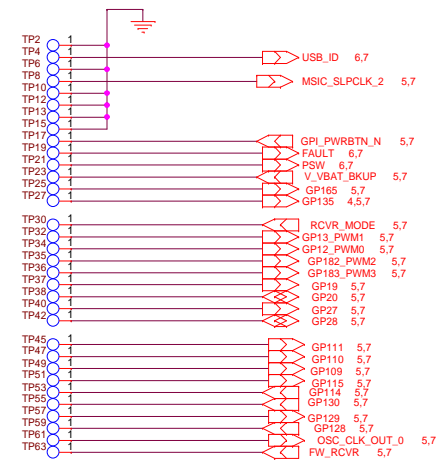
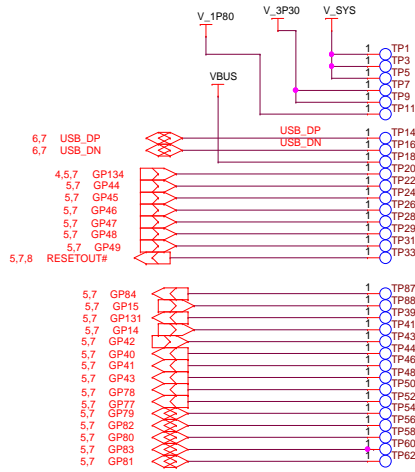
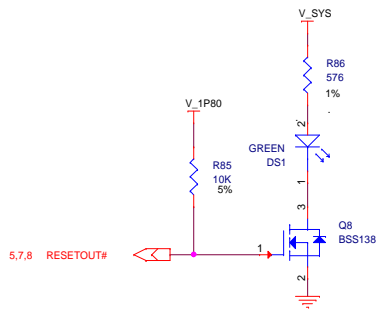


Refer to Document Intel(r) Edison breakout board users guide for button usage

Power Button



EDISON BREAKOUT BOARD		
Title		
BUTTON AND I/O CONNECTIONS		
Size	Document Number	Rev
A	H49905	2
Date:	Tuesday, August 26, 2014	Sheet 7 of 8



EDISON BREAKOUT BOARD

Title		
TEST POINTS		
Size	Document Number	Rev
A	H49905	2
Date:	Tuesday, August 26, 2014	Sheet 8 of 8