

PBA

PB

EDISON FOR ARDUINO® BOARD		
Title		
Title page		
Size B	Document Number H40485	Rev 5
Date:	Tuesday, August 26, 2014	Sheet 1 of 11

Intel® Edison Design Document

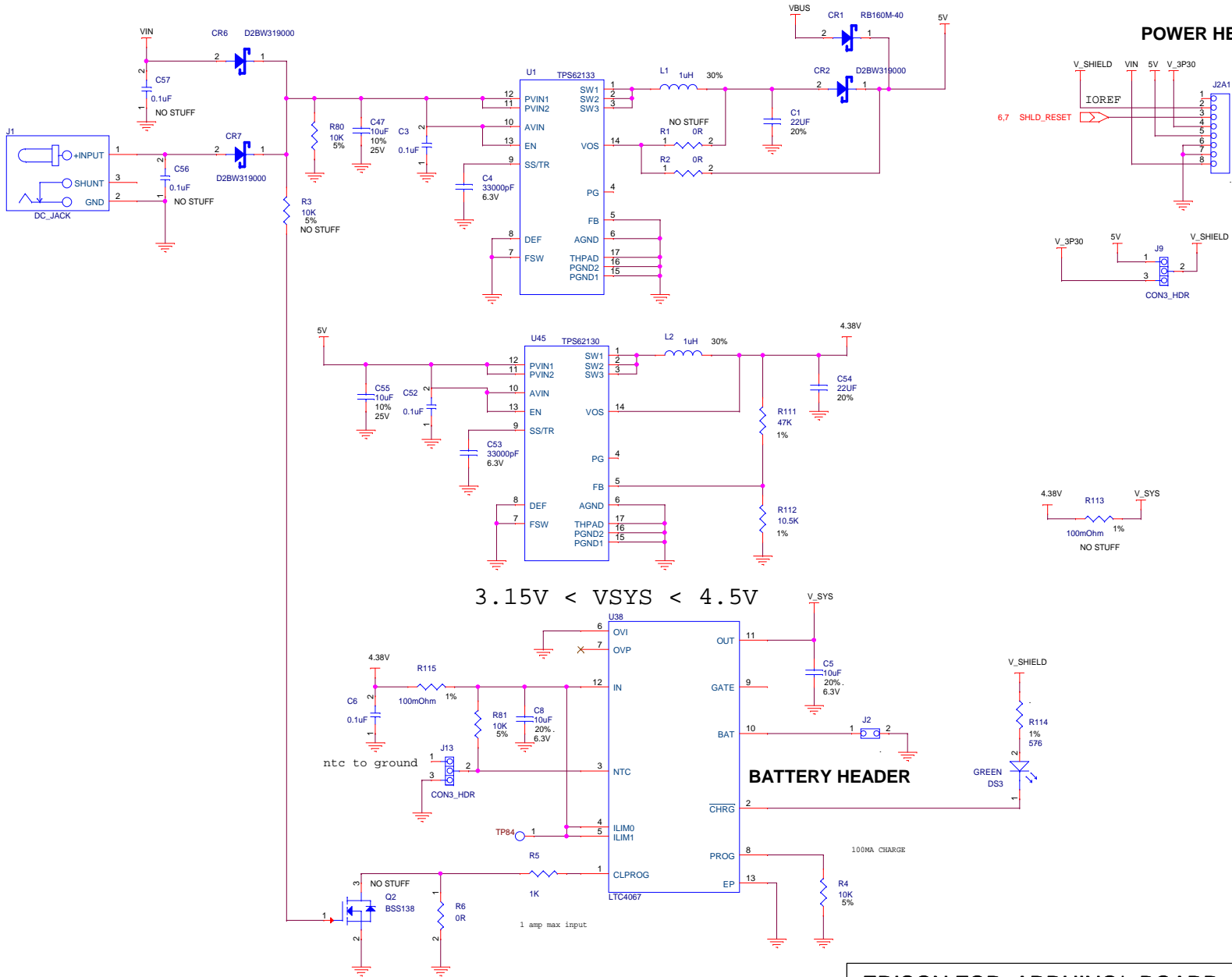
This Intel® Edison design document is licensed by Intel under the terms of the Creative Commons Attribution Share-Alike License (ver. 3), subject to the following terms and conditions.

The Intel® Edison design document IS PROVIDED "AS IS" AND "WITH ALL FAULTS." Intel DISCLAIMS ALL OTHER WARRANTIES, EXPRESS OR IMPLIED REGARDING THE EDISON DESIGN OR THIS EDISON DESIGN DOCUMENT INCLUDING, BUT NOT LIMITED TO, ANY IMPLIED WARRANTIES OF MERCHANTABILITY OR FITNESS FOR A PARTICULAR PURPOSE.

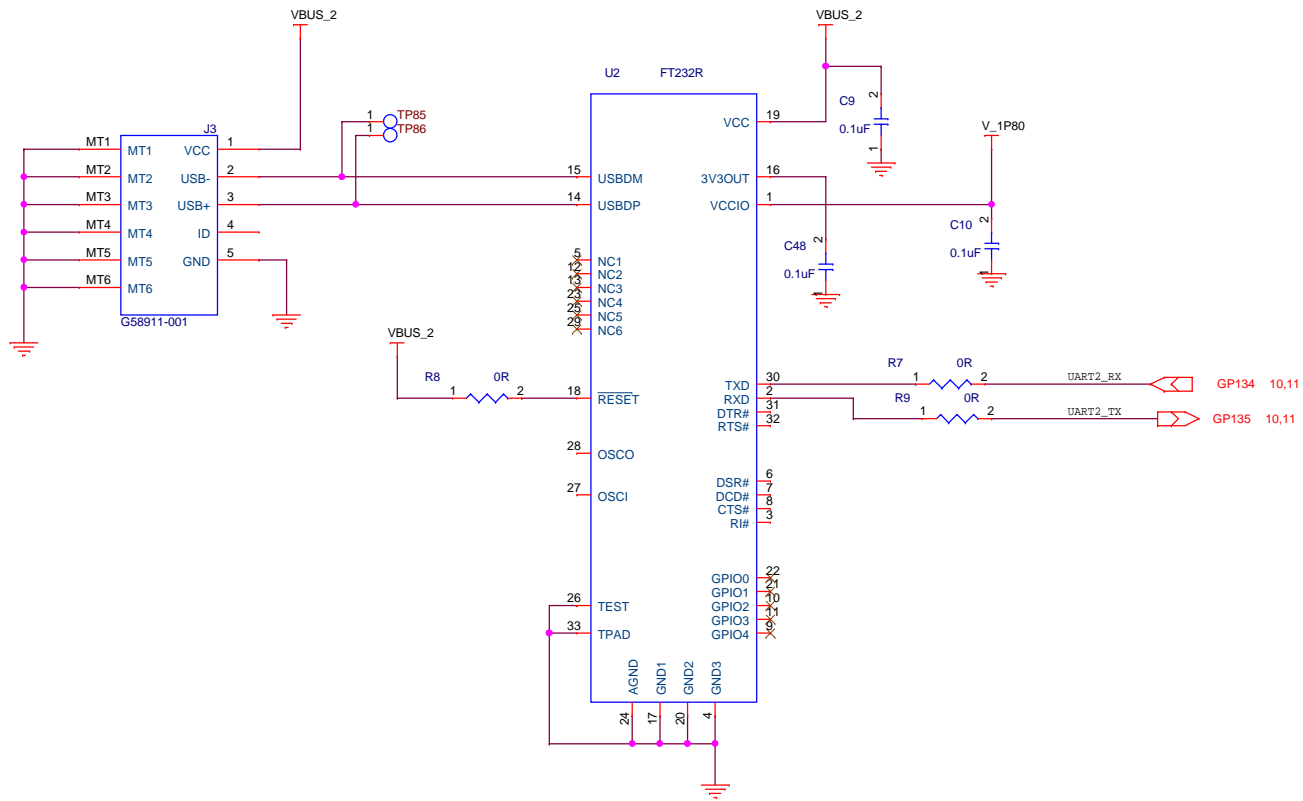
Intel® may make changes to the specifications, schematics and product descriptions at any time, without notice. The Customer must not rely on the absence or characteristics of any features or instructions marked "reserved" or "undefined." Intel® reserves these for future definition and shall have no responsibility whatsoever for conflicts or incompatibilities arising from future changes to them. ENJOY!

- 1) TITLE PAGE
- 2) TABLE OF CONTENTS
- 3) POWER SUPPLIES
- 4) UART TO USB DEBUG PORT
- 5) SPI ADC AND SWIZZLER
- 6) ANALOG TRANSLATION
- 7) DIGITAL TRANSLATION
- 8) SD CARD
- 9) USB A AND B PORTS
- 10) BUTTON AND I/O CONNECTIONS
- 11) TEST POINTS

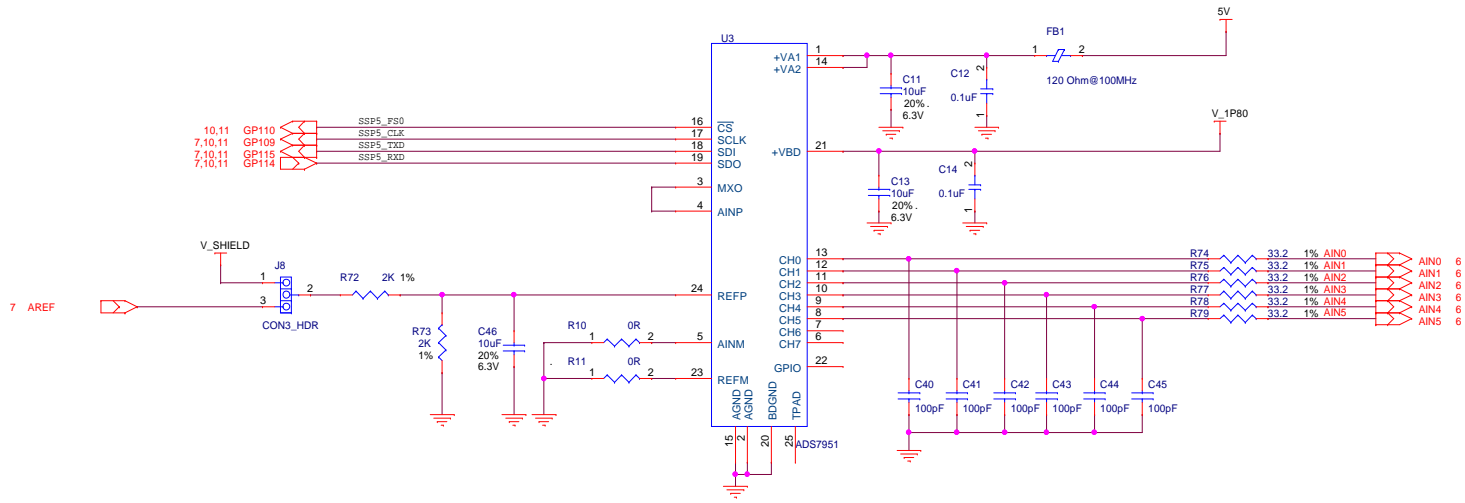
EDISON FOR ARDUINO* BOARD		
Title		
Table of Contents		
Size	Document Number	Rev
A	H40485	5
Date:	Tuesday, August 26, 2014	Sheet 2 of 11



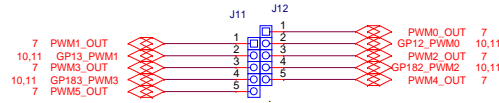
EDISON FOR ARDUINO* BOARD		
Title POWER SUPPLIES		
Size A	Document Number H40485	Rev 5
Date:	Tuesday, August 26, 2014	Sheet 3 of 11



EDISON FOR ARDUINO* BOARD		
Title		
UART TO USB		
Size	Document Number	Rev
B	H40485	5
Date:	Tuesday, August 26, 2014	Sheet 4 of 11

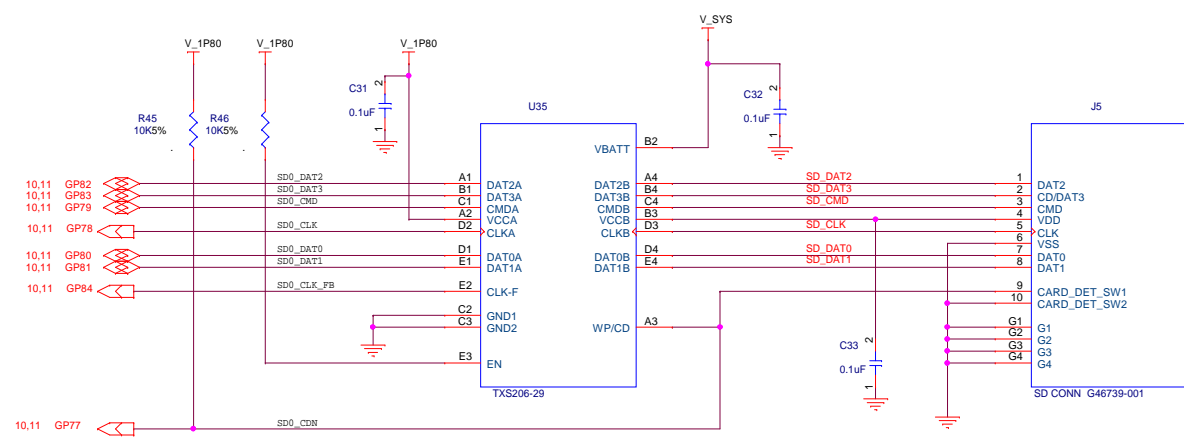


PWM SWIZZLER

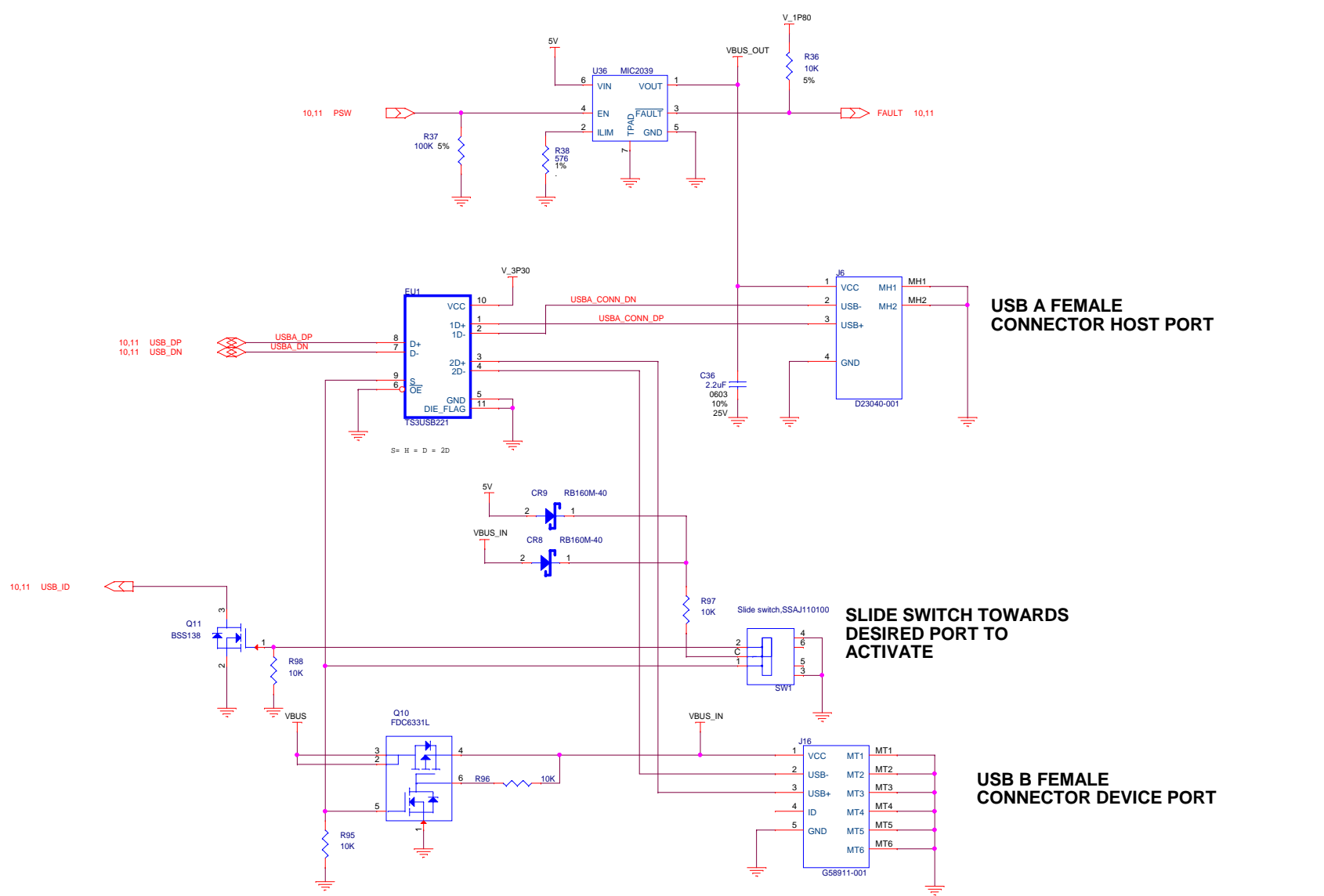


EDISON FOR ARDUINO* BOARD

Title		
SPI ADC		
Size	Document Number	Rev
A	H40485	5
Date:	Tuesday, August 26, 2014	Sheet 5 of 11



EDISON FOR ARDUINO* BOARD		
Title		
SD CARD		
Size	Document Number	Rev
A	H40485	5
Date:	Tuesday, August 26, 2014	Sheet 8 of 11

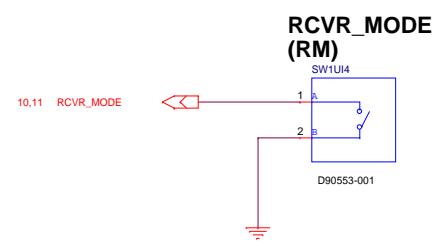
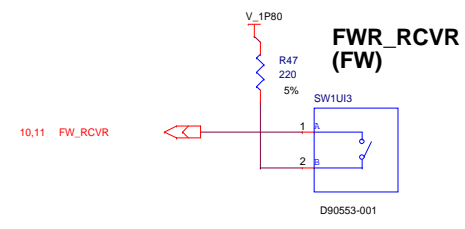
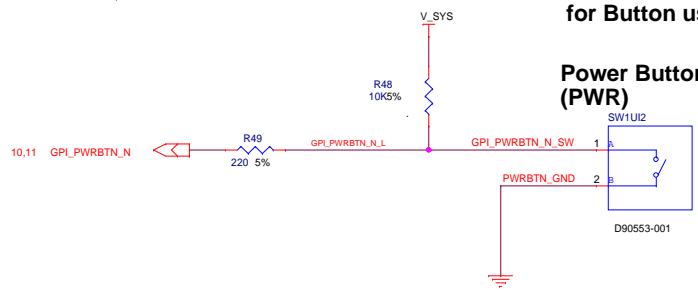
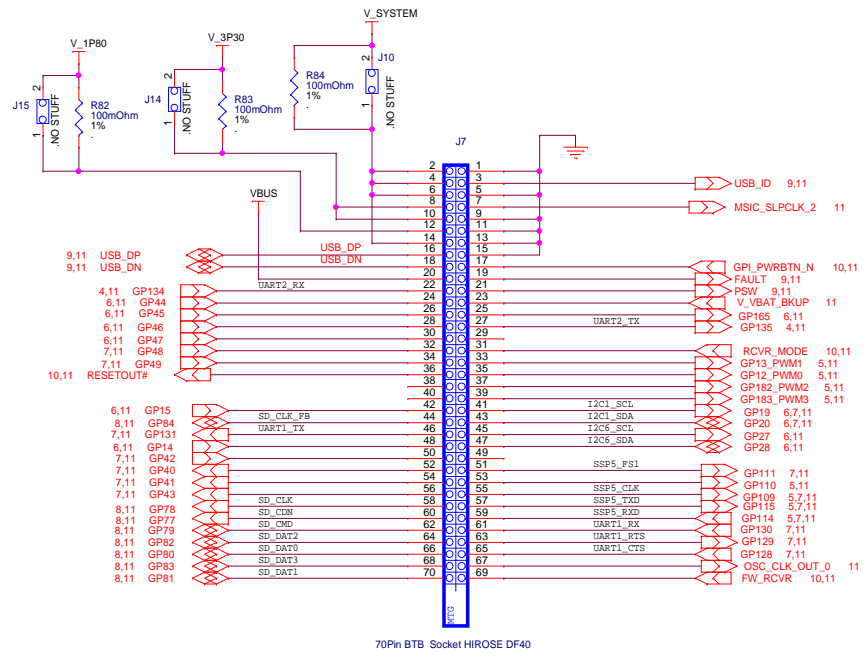
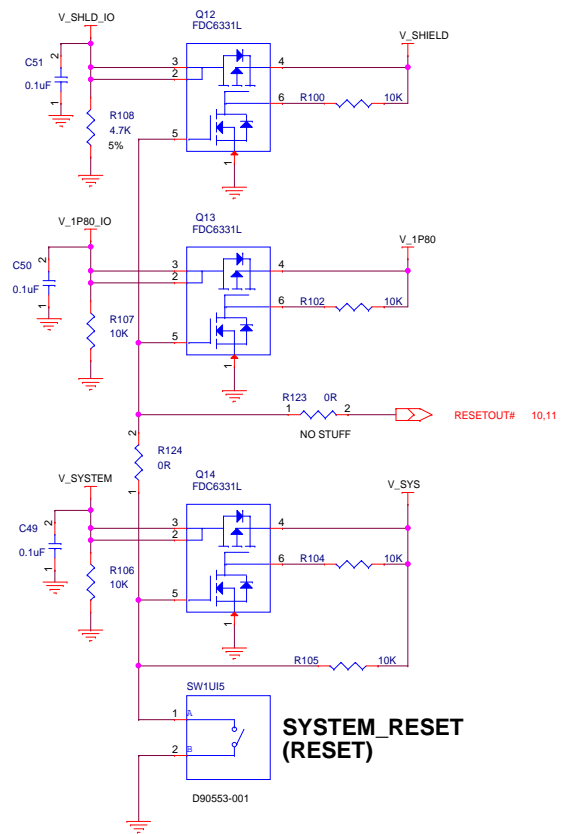


USB A FEMALE CONNECTOR HOST PORT

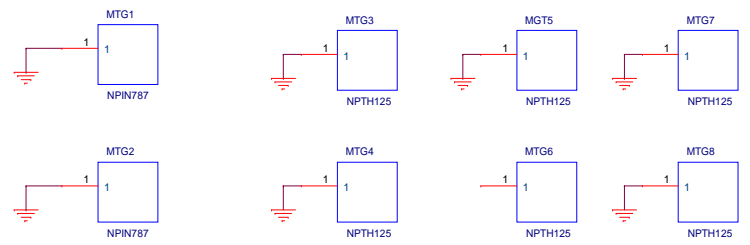
SLIDE SWITCH TOWARDS DESIRED PORT TO ACTIVATE

USB B FEMALE CONNECTOR DEVICE PORT

EDISON FOR ARDUINO* BOARD		
Title USB - OTG		
Size A	Document Number H40485	Rev 5
Date:	Tuesday, August 26, 2014	Sheet 9 of 11

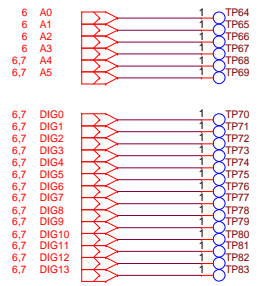
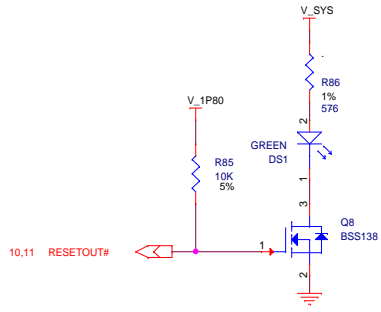
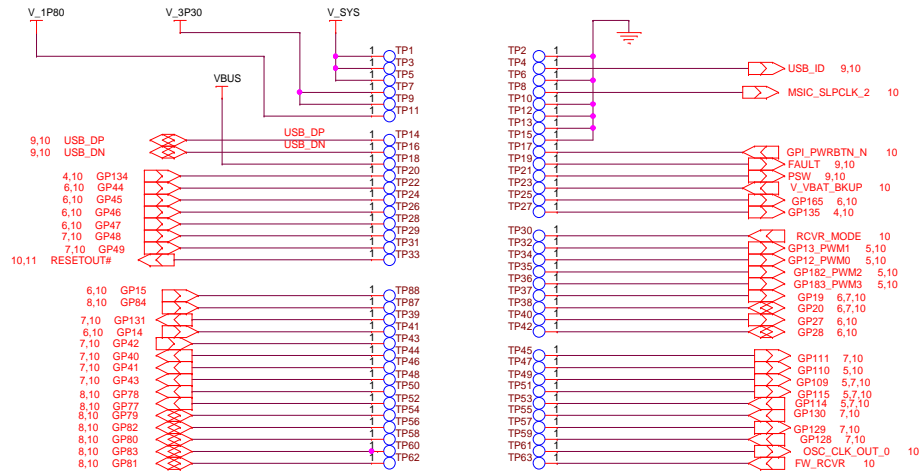


Refer to Document Intel (R)Kit for Arduino* board users guide for Button usage.



EDISON FOR ARDUINO* BOARD		
Title EDISON CONNECTOR BUTTON		
Size A	Document Number H40485	Rev 5
Date: Tuesday, August 26, 2014	Sheet 10	of 11

ROOM=UI_BUTTONS



EDISON FOR ARDUINO* BOARD		
Title		
EDISON CONNECTOR BUTTON		
Size	Document Number	Rev
A	H40485	5
Date:	Tuesday, August 26, 2014	Sheet 11 of 11