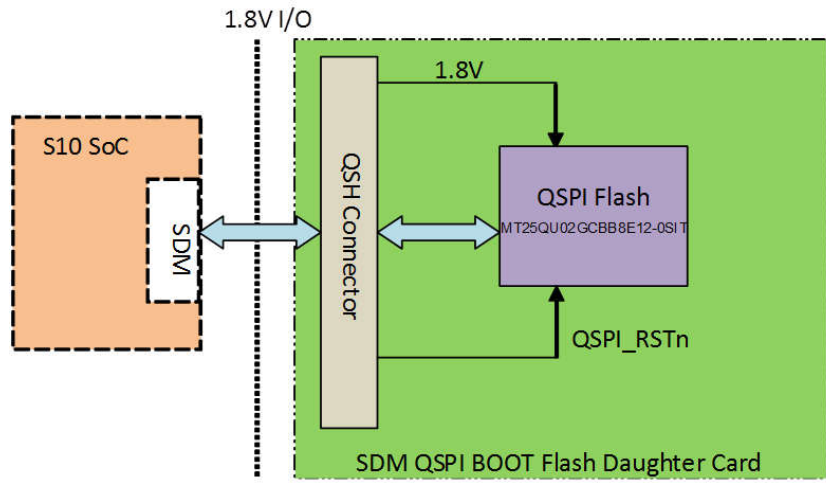


# Pre-Release Schematic DO NOT COPY

- NOTES:**
- Project Drawing Numbers:
    - Raw PCB: 100-0330636-A1
    - Gerber Files: 110-0330636-A1
    - PCB Design Files: 120-0330636-A1
    - Assembly Drawing: 130-0330636-A1
    - Fab Drawing: 140-0330636-A1
    - Schematic Drawing: 150-0330636-A1
    - PCB Film: 160-0330636-A1
    - Bill of Materials: 170-0330636-A1
    - Schematic Design Files: 180-0330636-A1
    - Functional Specification: 210-0330636-A1
    - PCB Layout Guidelines: 220-0330636-A1
    - Assembly Rework: 320-0330636-A1

2. This board was designed for Stratix 10 SoC Development Kit.

REV	DATE	PAGE	DESCRIPTION
A			initial schematic release



PAGE	DESCRIPTION
1	Page Description, revision history
2	QSPI Flash



Intel Corporation, 301, Bibo Rd #888, Shanghai, China, 201203

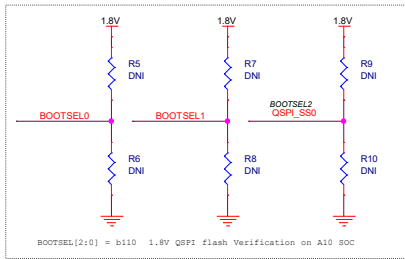
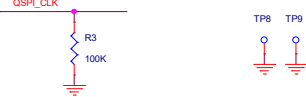
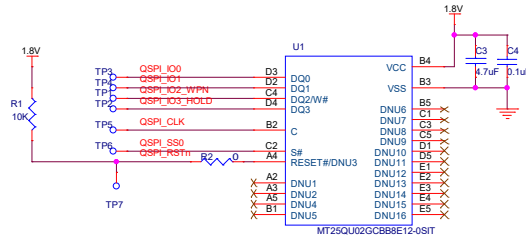
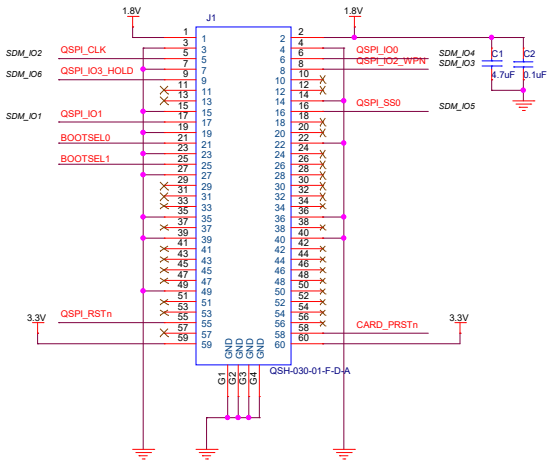
**Title: SDM QSPI Boot Flash Daughter Card**

Copyright (c) 2016, Intel Corporation. All Rights Reserved

Size B	Document Number	Rev
	150-0330636-A1 (6XX-44489R)	0.1

Date: Thursday, March 23, 2017 Sheet 1 of 2

# QSPI Flash



BOOTSEL[2:0] = b110 1.8V QSPI flash Verification on A10 SOC



Intel Corporation, 301, Bibo Rd #888, Shanghai, China, 201203			
<b>Title</b> <b>SDM QSPI Boot Flash Daughter Card</b>			
Copyright (c) 2016, Intel Corporation. All Rights Reserved			
Size	Document Number	Rev	
B	150-0330636-A1	(6XX-44489R)	0.1
Date:	Thursday, March 23, 2017	Sheet	2 of 2