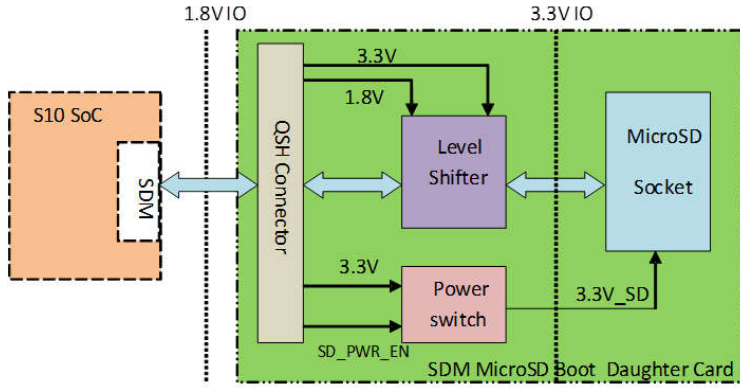


- NOTES:**
- Project Drawing Numbers:
 - Raw PCB: 100-0330638-A1
 - Gerber Files: 110-0330638-A1
 - PCB Design Files: 120-0330638-A1
 - Assembly Drawing: 130-0330638-A1
 - Fab Drawing: 140-0330638-A1
 - Schematic Drawing: 150-0330638-A1
 - PCB Firm: 160-0330638-A1
 - Bill of Materials: 170-0330638-A1
 - Schematic Design Files: 180-0330638-A1
 - Functional Specification: 210-0330638-A1
 - PCB Layout Guidelines: 220-0330638-A1
 - Assembly Rework: 320-0330638-A1

Pre-Release Schematic DO NOT COPY

2. This board was designed for Stratix 10 SoC Development Kit.

REV	DATE	PAGE	DESCRIPTION
A			initial schematic release



PAGE	DESCRIPTION
1	Page Description, revision history
2	MicroSD Card



Intel Corporation, 301, Bibo Rd #888, Shanghai, China, 201203			
Title: SDM MicroSD Boot Flash Daughter Card			
Copyright (c) 2016, Intel Corporation. All Rights Reserved			
Size	Document Number	Rev	
B	150-0330638-A1 (6XX-44491R)	0.1	
Date:	Friday, April 21, 2017	Sheet	1 of 2

