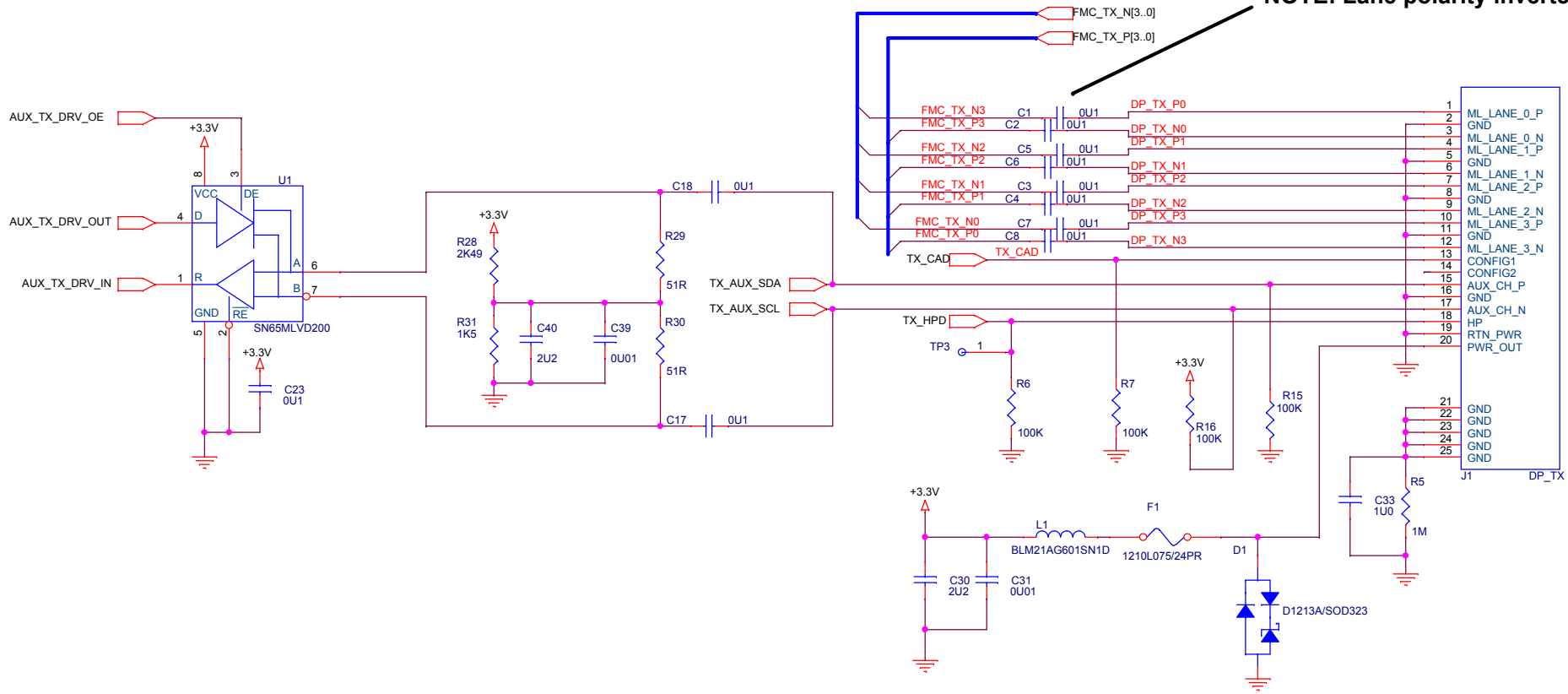


All printed copies are uncontrolled. (C) Copyright Bitec 2015

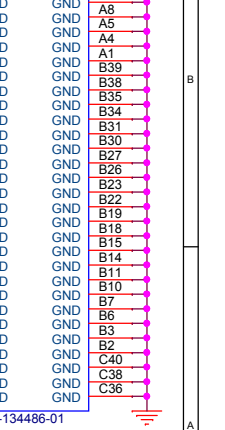
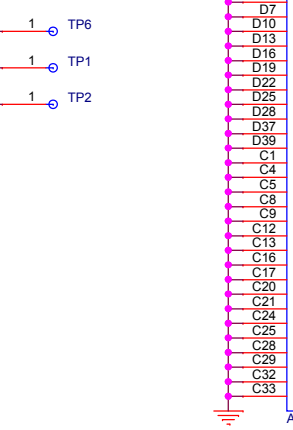
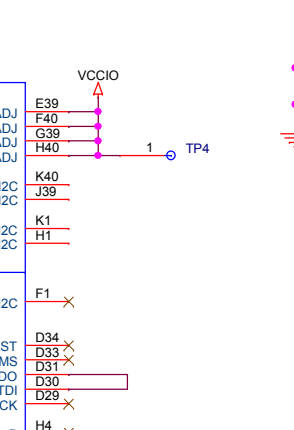
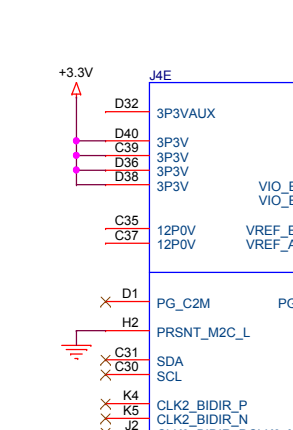
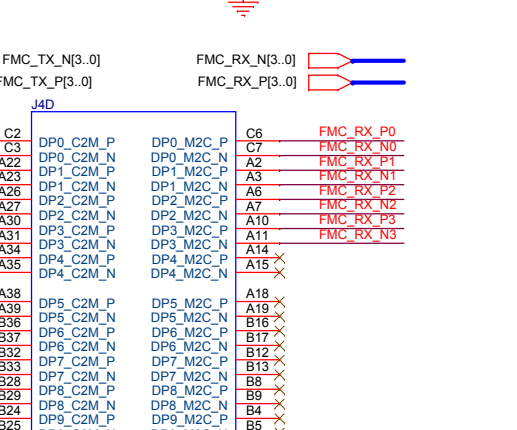
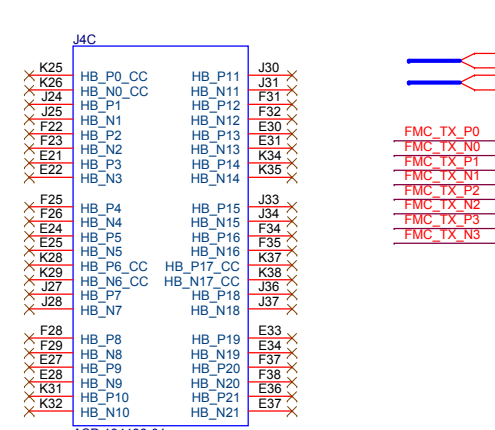
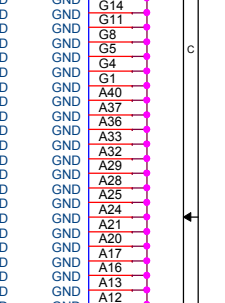
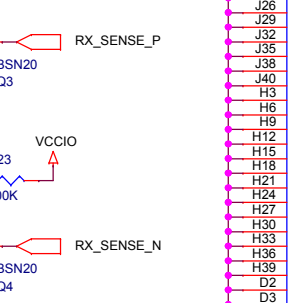
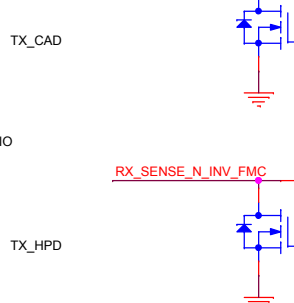
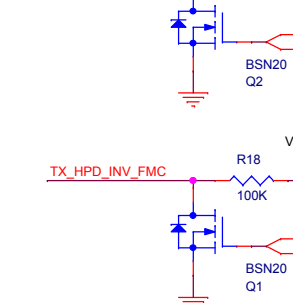
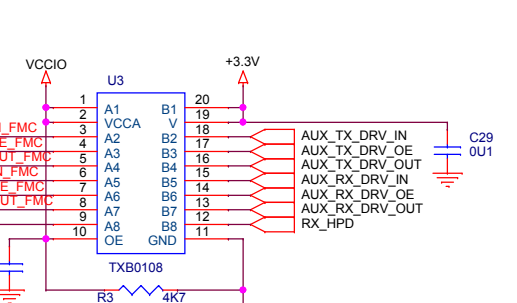
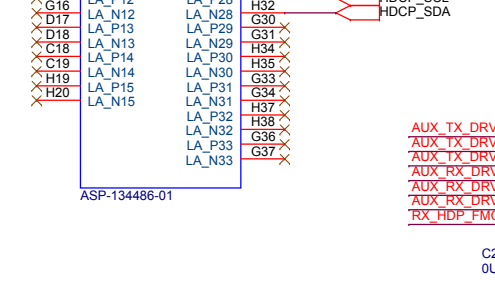
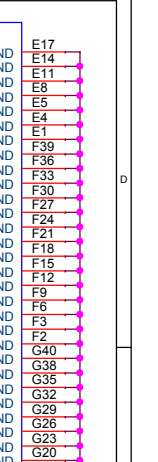
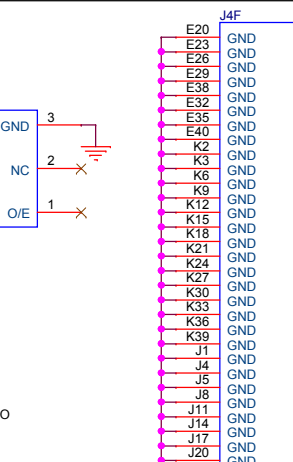
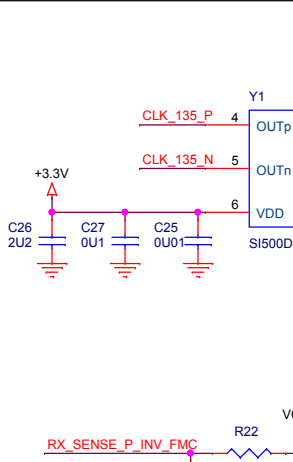
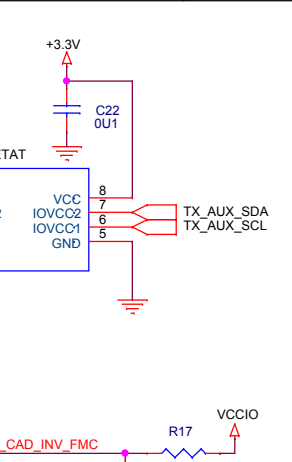
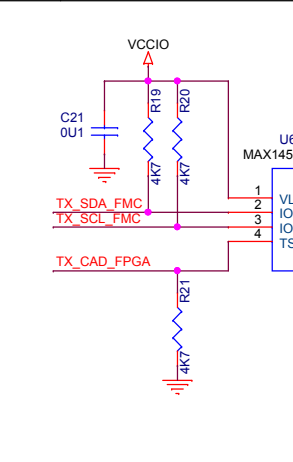
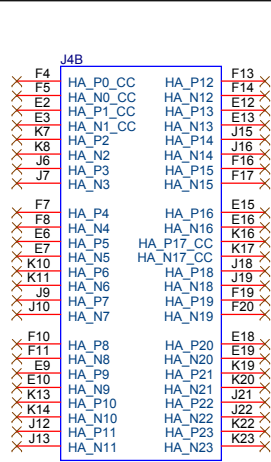
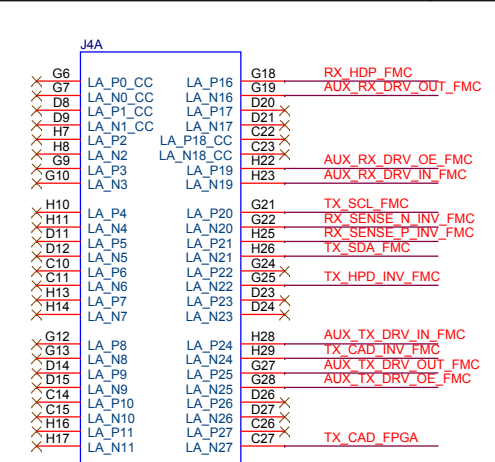
Title		
FMC DISPLAYPORT		
Size	Document Number	Rev
B	<Doc>	5
Date:	Saturday, September 26, 2015	Sheet 1 of 3

NOTE: Lane ordering reversed
NOTE: Lane polarity inverted



All printed copies are uncontrolled. (C) Copyright Bitec 2015

Title		
FMC DISPLAYPORT		
Size	Document Number	Rev
B	<Doc>	5
Date:	Saturday, September 26, 2015	Sheet 2 of 3



All printed copies are uncontrolled.		(C) Copyright Bitec 2015
Title: FMC DISPLAYPORT		
Size: B	Document Number: <Doc>	Rev: 5
Date: Saturday, September 26, 2015	Sheet: 3	of: 3