



PD6722 — Implementing DMA Functionality

Application Note

May 2001



Information in this document is provided in connection with Intel® products. No license, express or implied, by estoppel or otherwise, to any intellectual property rights is granted by this document. Except as provided in Intel's Terms and Conditions of Sale for such products, Intel assumes no liability whatsoever, and Intel disclaims any express or implied warranty, relating to sale and/or use of Intel products including liability or warranties relating to fitness for a particular purpose, merchantability, or infringement of any patent, copyright or other intellectual property right. Intel products are not intended for use in medical, life saving, or life sustaining applications.

Intel may make changes to specifications and product descriptions at any time, without notice.

Designers must not rely on the absence or characteristics of any features or instructions marked "reserved" or "undefined." Intel reserves these for future definition and shall have no responsibility whatsoever for conflicts or incompatibilities arising from future changes to them.

The PD6722 — Implementing DMA Functionality with the PD6722 may contain design defects or errors known as errata which may cause the product to deviate from published specifications. Current characterized errata are available on request.

Contact your local Intel sales office or your distributor to obtain the latest specifications and before placing your product order.

Copies of documents which have an ordering number and are referenced in this document, or other Intel literature may be obtained by calling 1-800-548-4725 or by visiting Intel's website at <http://www.intel.com>.

Copyright © Intel Corporation, 2001

*Third-party brands and names are the property of their respective owners.

Contents

1.0	Introduction	5
2.0	Implementing DMA Functionality	6
2.1	DMA with the CL-PD6722	6
2.2	Basic DMA Solution.....	6
2.3	Support for More DMA Channels	7
	2.3.1 Why the QS3253 is Recommended	8
	2.3.2 Logic Equations for the PAL20L8.....	8
2.4	Conclusion.....	9

Figures

1	Use of Standard Pin Connections for DMA to PCMCIA Socket.....	6
2	Basic DMA Connection to ISA Bus	7
3	Three-Channel DMA Connection to ISA Bus	8
4	Multi-Channel DMA Connection to ISA Bus.....	9

1.0 Introduction

The PD6722 is a single-chip PCMCIA interface controller capable of controlling two PCMCIA or compact Flash sockets, respectively. The PD6722 is designed for use in embedded applications and notebook systems where reduced form factor and low power consumption are critical design objectives.

Current typical application examples include:

- Routers
- Access network servers
- PBXs
- Vending machines
- Portable handheld systems
- Data acquisition systems
- Settop boxes
- Integrated access devices
- DSLAMs
- Terminal servers
- Point of Sale terminals
- Navigation systems
- Measurement equipment

With the PD6722, a complete dual-socket PCMCIA solution with power-control circuitry can occupy less than 2 square inches (13 square centimeters) of board space.

The PD6722 controller is completely compatible with the standards of PCMCIA (Personal Card Memory International Association) Release 2.0 Standard as well as JEIDA (Japan Electronic Industry Development Association) Version 4.1 Standard. The PD67XX controllers also offer special power-saving features such as Automatic Low-power Dynamic Mode and Suspend Mode. The PD6722 controller is a true mixed-voltage device that can operate at +5 volts, +3.3 volts, or a combination of these at various interfaces. The controller has full internal buffering and require no additional circuitry to interface to the ISA (or ISA-like) Bus or to PCMCIA sockets.

2.0 Implementing DMA Functionality

This document describes the hardware modifications required to implement DMA on the PCMCIA bus while using the PD6722. External logic and the associated connections are shown. PAL[®] equations are also described. Any one of the DMA channels applicable to an ISA-based system can be supported, and there is the flexibility to allow software to select the specific DMA channel.

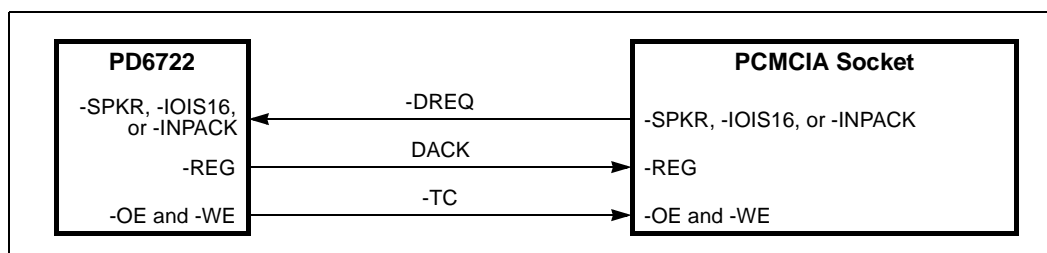
2.1 DMA with the PD6722

DMA function is enabled when bit 6 of the **Misc Control 2** register is set to a '1' and bits 7:6 of the **Extension Control 1** (formerly named **DMA Control**) register (extension index 03h) are set to select the -DREQ input. See Chapter 11 of the *PD6710/PD672X Data Sheet* for more information about DMA.

The PD6722 connects to a PCMCIA socket on the PCMCIA side and to the ISA bus on the system side.

On the PCMCIA side, any one of three pins (-SPKR, -IOIS16, or -INPACK) can be used for the DMA request (-DREQ) input, the -REG pin is used as the DMA acknowledge (DACK) output, and the -OE and -WE pins are used as the terminal count (-TC) output. [Figure 1](#) shows how the PD6722 uses these standard pin connections to support DMA to the PCMCIA socket.

Figure 1. Use of Standard Pin Connections for DMA to PCMCIA Socket



On the ISA bus side, the IRQ10 pin becomes the DREQ output, the IRQ9 pin becomes the -DACK input, and the -VPP_VALID pin becomes the TC input. Exactly how these connections are made depends on the flexibility desired for selecting the DMA channel and whether IRQ9, IRQ10, and -VPP_VALID must be available for their original functions when the PD6722 is not in DMA mode.

2.2 Basic DMA Solution

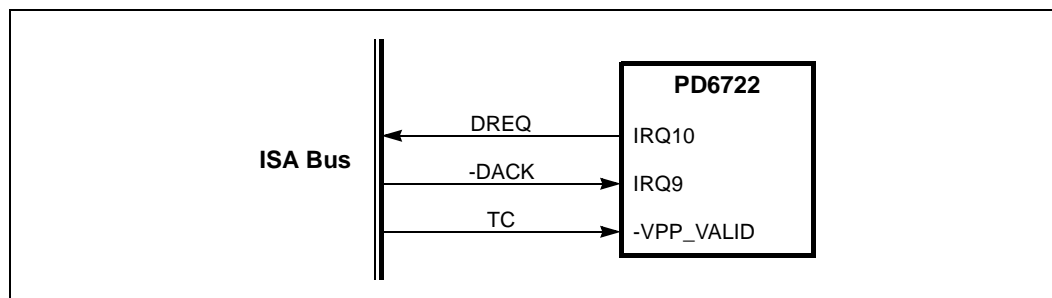
The ISA system architecture provides 8-bit DMA support on channels 0, 1, 2, and 3. Sixteen-bit DMA support is available on channels 5, 6, and 7. When choosing which DMA channel to support, the system designer must consider the specific requirements of the PCMCIA card(s) most likely to be used in the target system. In the most basic implementation, the system designer can connect the PD6722 in a way to support only one of the DMA channels.

Floppy disk drives generally use DMA channel 2. For example, DMA channel 2 can be used to specifically support a PCMCIA-card-based external floppy drive of a subnotebook computer that does not have a built-in floppy drive. Note that if a computer has an internal floppy drive and is to be set up to use a PCMCIA-card-based external floppy drive, channel 2 to the internal floppy drive must be freed (by disabling the internal floppy drive) for use by the external floppy drive.

ISA sound cards generally use DMA channel 1 for 8-bit and channel 5 for 16-bit operation. Sound Blaster™, for example, uses channel 1. Channel 1 is recommended to ensure the widest range of software support.

In these implementations, IRQ9, IRQ10, and -VPP_VALID are not available for use in their non-DMA function. Although there may be some older token ring cards that use only IRQ10 in their Interrupt Service Routine, the trend in the PCMCIA industry is for ‘plug and play’ solutions. This means that most of the PCMCIA cards are highly configurable and do not have rigid requirements for IRQ10 or IRQ9. This allows a hard-wired basic solution for DMA, as shown in Figure 2.

Figure 2. Basic DMA Connection to ISA Bus



Only one DMA channel is supported with this solution, and IRQ9, IRQ10, and -VPP_VALID are not available for their original functions but will work as -DACK, DREQ, and TC instead. Still, this is a simple solution requiring no external logic, and it should be adequate for many implementations.

Note: When using the PD6722, only one socket can support DMA at a time.

2.3 Support for More DMA Channels

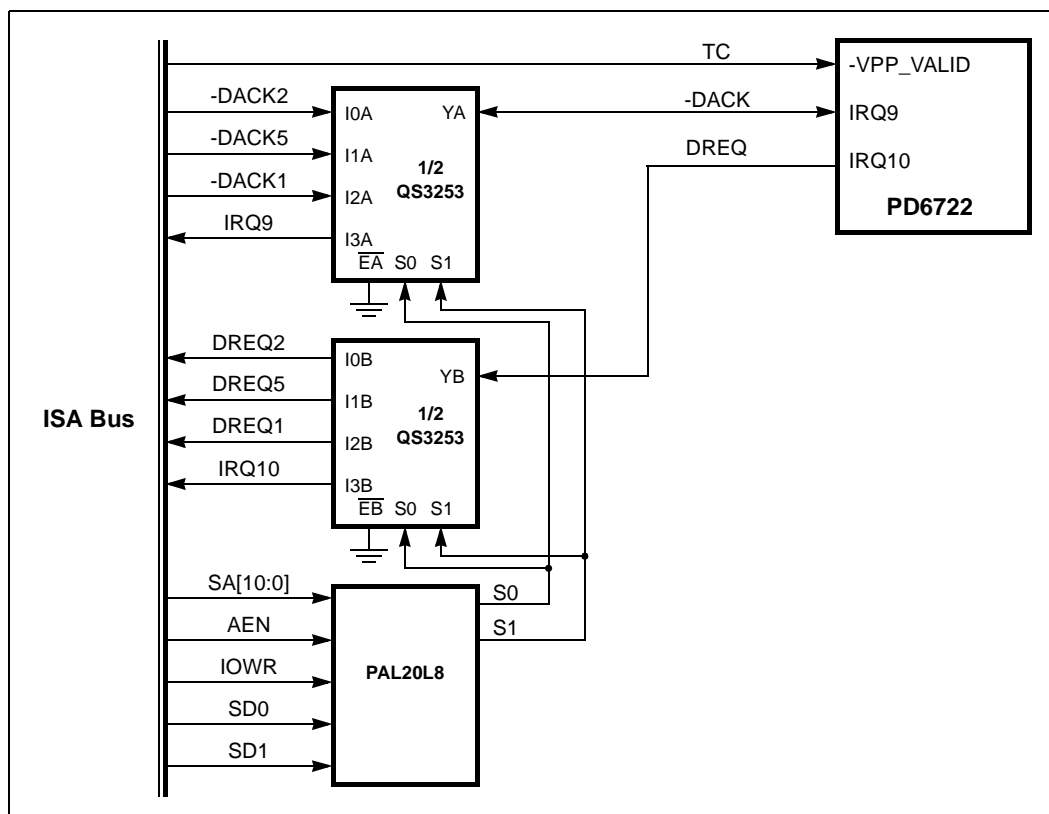
Figure 3 shows an example of software-selected support for DMA channels 1, 2, and 5. This solution allows software to turn on or off the DMA function. It also allows IRQ9, IRQ10, and -VPP_VALID to be used for their original functions when the PD6722 is not in DMA mode.

The PAL20L8 in Figure 3 is used to decode a particular address that is determined by the system designer. If a PAL device is used, be sure that only I/O pins are used for the S0, S1, and DMA_PORT signals to ensure feedback internal to the PAL device. Software has to write a non-zero value to the selected port address by using bits D0 and D1 of the ISA data bus. When a non-zero value is written, DMA channel 1, 2, or 7 will be routed to the ISA bus by the QS3253 device. When software does not use DMA function, it can write a zero to this address, and IRQ10 and IRQ9 will be routed to the ISA bus.

Figure 4 shows an example of support for all DMA channels in the ISA environment.

The address decode function may be less complicated in some situations, and a smaller PAL may be adequate.

Figure 3. Three-Channel DMA Connection to ISA Bus



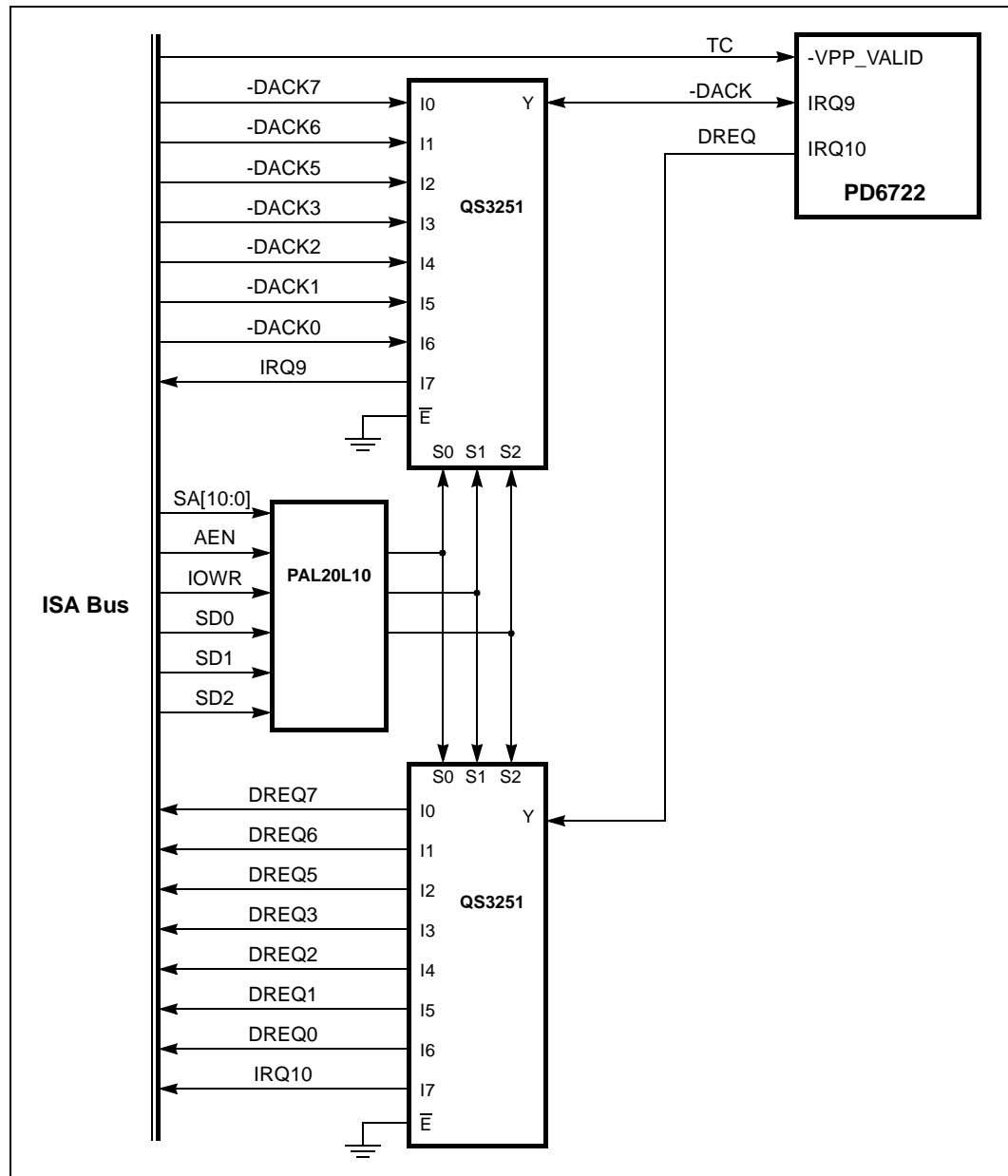
2.3.1 Why the QS3253 is Recommended

The IRQ signals on the PD6722 device can be at any of three levels: high, low, or high-impedance. The DREQ and -DACK signals can be either high or low. This requires high-speed switches that can assume any of the three levels (depending on the level of the input) and then present the corresponding level at the output. Also, these switches allow the DMA channel signals to be shared by other ISA devices.

2.3.2 Logic Equations for the PAL20L8

The attached CUPL™ file shows the PAL equations for the G20V8 device that was used during verification of the implementation shown in Figure 3. DMA_PORT is located at address 400h. Any appropriate PAL device or other logic circuit can be used, depending on the requirements. OrCAD® schematics are also attached for the three-channel implementation in Figure 3.

Figure 4. Multi-Channel DMA Connection to ISA Bus

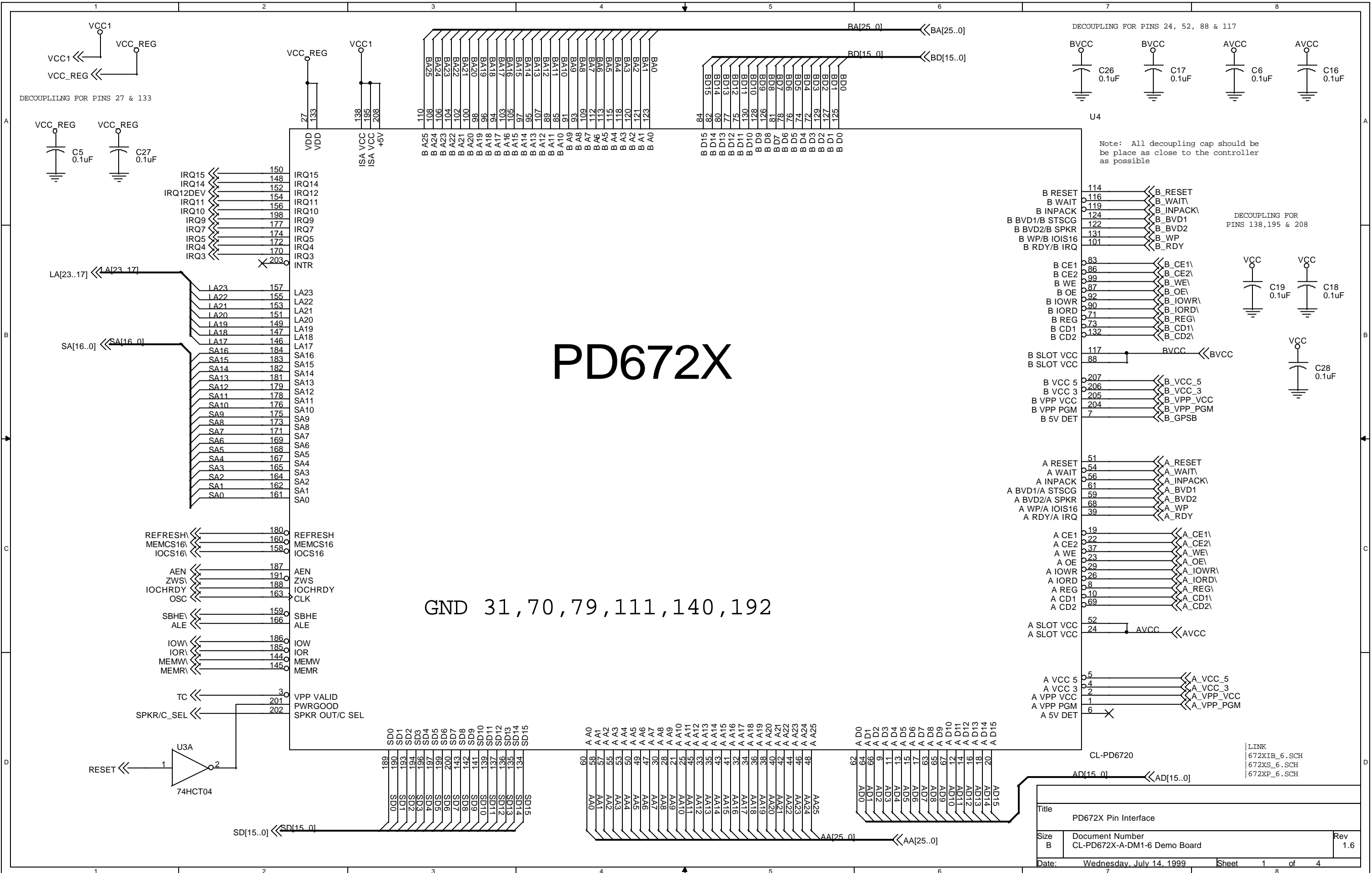


2.4 Conclusion

The PD6722 can directly connect to a specific DMA channel with no external logic. With external logic, the PD6722 can allow software to select one of the DMA channels. The system designer has the flexibility to directly connect one DMA channel, or, by using external logic, allow software to select one of the DMA channels, as required by the PCMCIA card(s) to be supported.

PD672X

GND 31, 70, 79, 111, 140, 192



DECOUPLING FOR PINS 24, 52, 88 & 117

BVCC 0.1uF C26
 BVCC 0.1uF C17
 AVCC 0.1uF C6
 AVCC 0.1uF C16

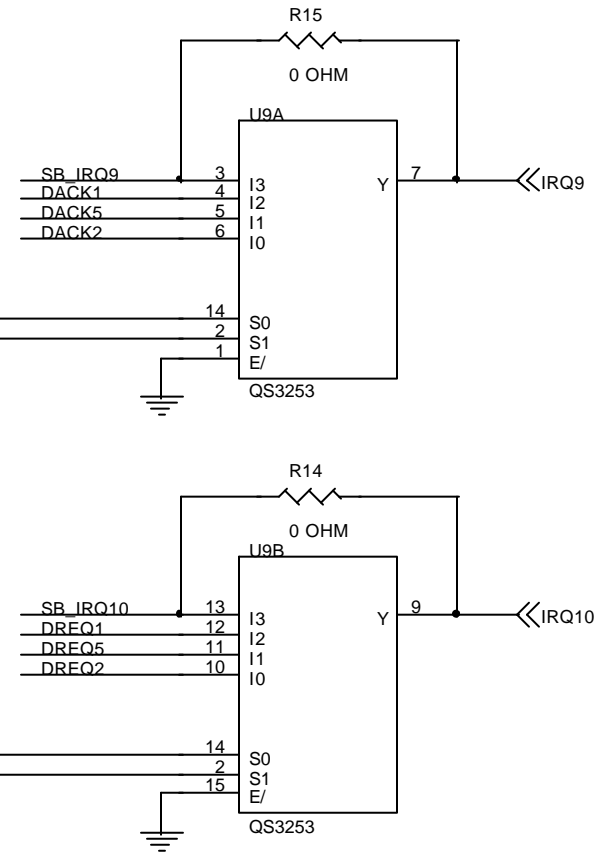
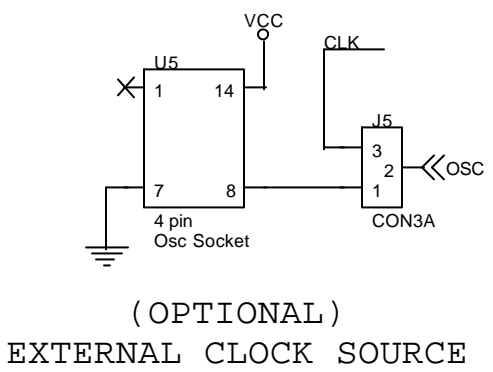
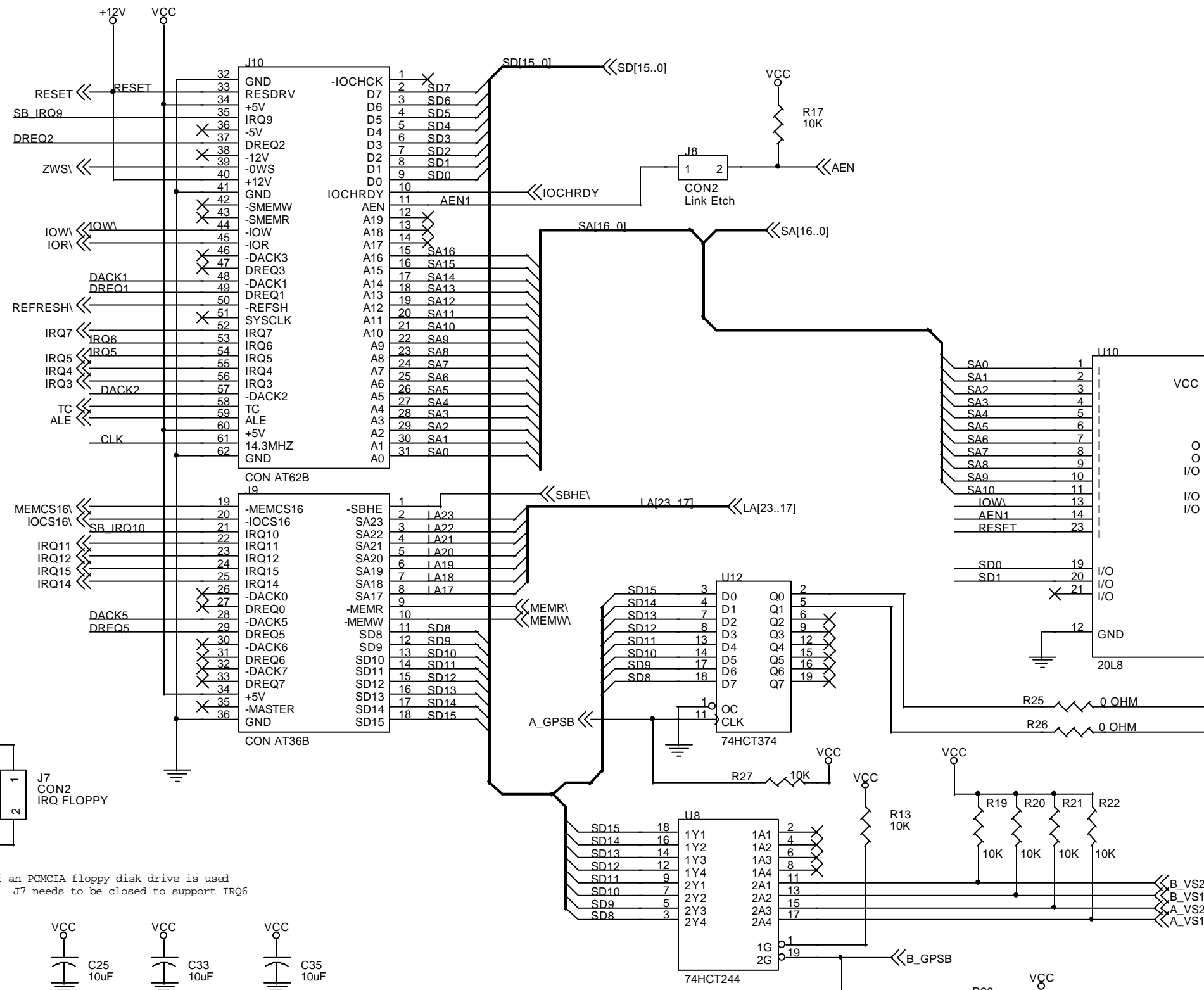
Note: All decoupling cap should be placed as close to the controller as possible

DECOUPLING FOR PINS 138, 195 & 208

VCC 0.1uF C19
 VCC 0.1uF C18
 VCC 0.1uF C28

Title			PD672X Pin Interface		
Size	Document Number				Rev
B	CL-PD672X-A-DM1-6 Demo Board				1.6
Date:	Wednesday, July 14, 1999		Sheet	1 of 4	

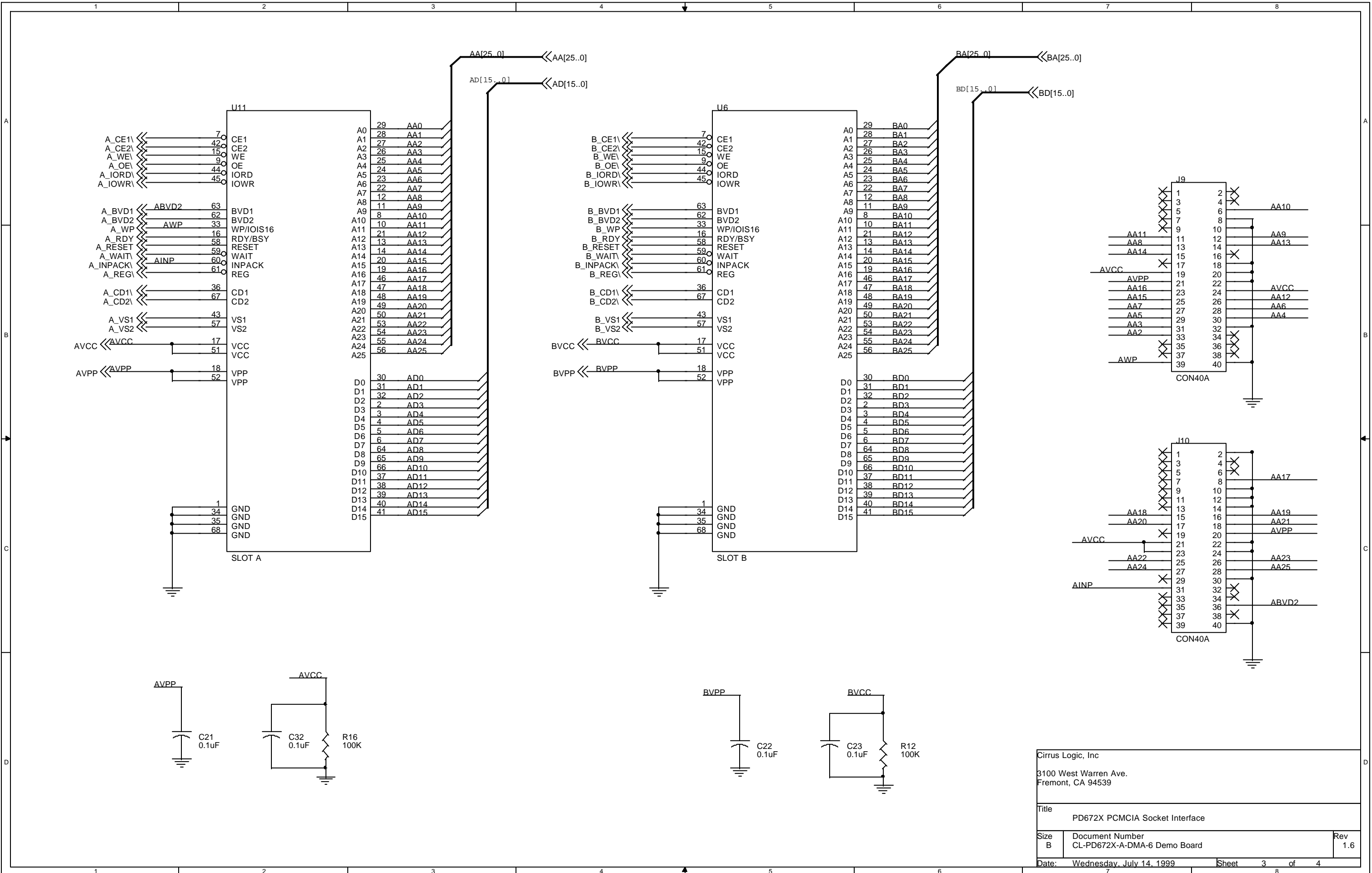
LINK
 672XIB_6.SCH
 672XS_6.SCH
 672XP_6.SCH



Note: If an PCMCIA floppy disk drive is used J7 needs to be closed to support IRQ6

Note: Either install U9 & U10 or install R15 & R14

Cirrus Logic, Inc.		
3100 West Warren Ave. Fremont, CA 94539		
Title ISA BUS INTERFACE		
Size B	Document Number CL-PD672X-A-DM1-6 DEMO BOARD	Rev 1.6
Date:	Wednesday, July 14, 1999	Sheet 2 of 4

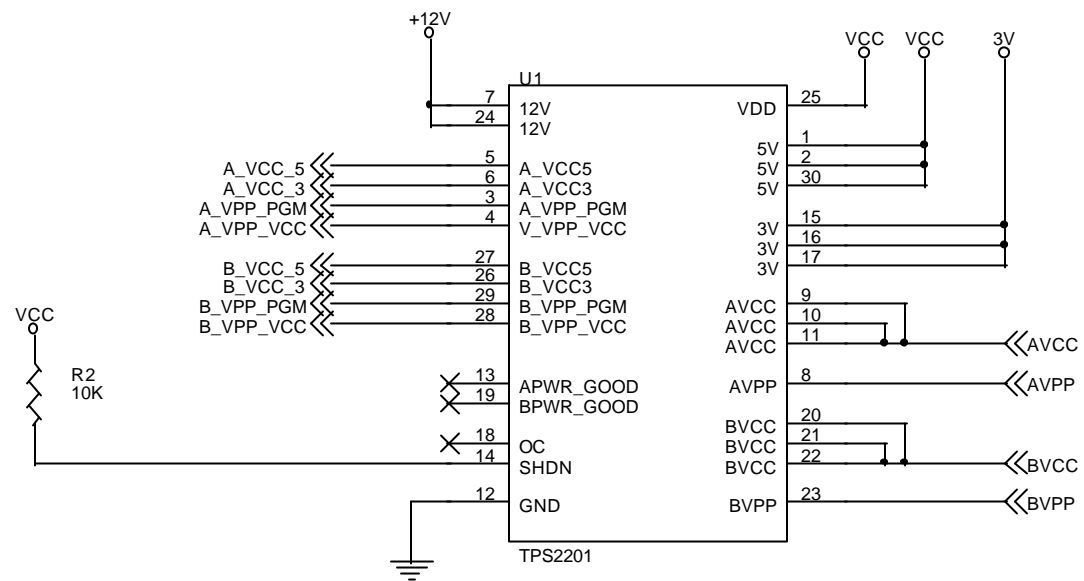


Cirrus Logic, Inc
 3100 West Warren Ave.
 Fremont, CA 94539

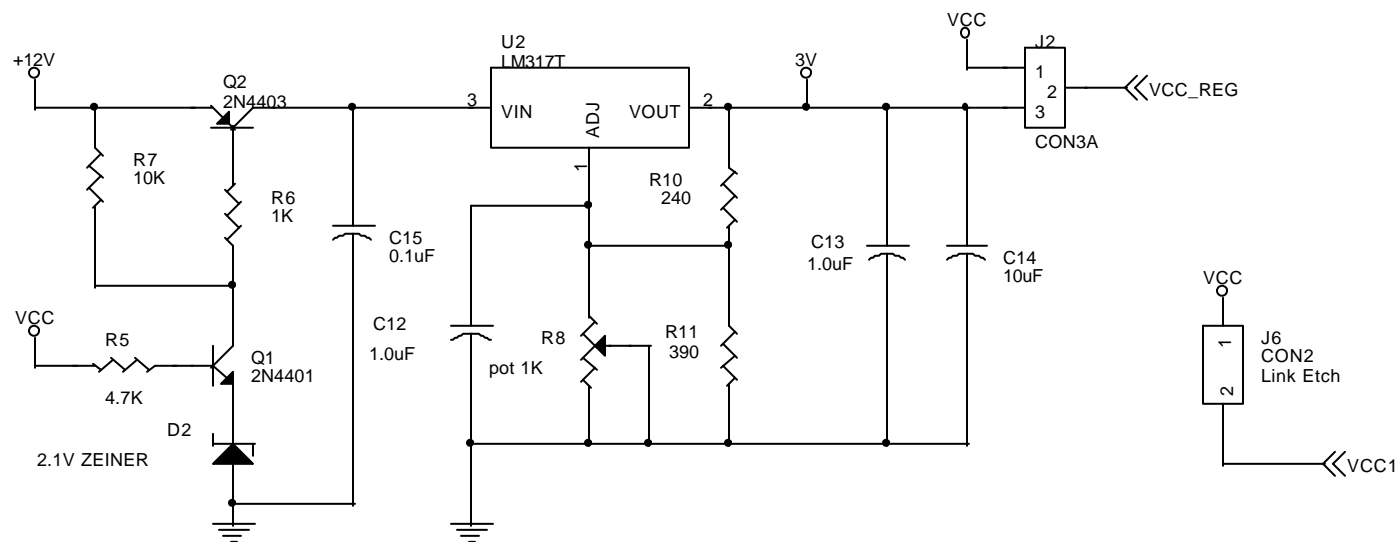
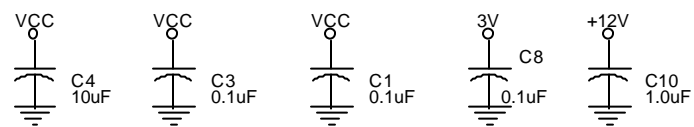
Title
 PD672X PCMCIA Socket Interface

Size B	Document Number CL-PD672X-A-DMA-6 Demo Board	Rev 1.6
--------	---	------------

Date: Wednesday, July 14, 1999 Sheet 3 of 4

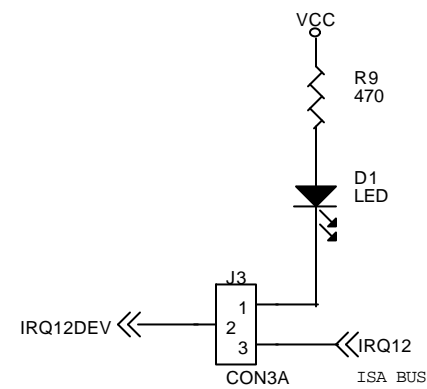


PCMCIA SOCKET POWER CONTROL VCC & VPP

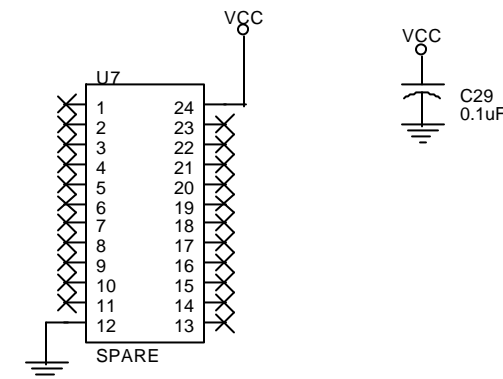


NOTE: INSTALL EITHER R1 OR R501
DO NOT INSTALL BOTH RESISTORS

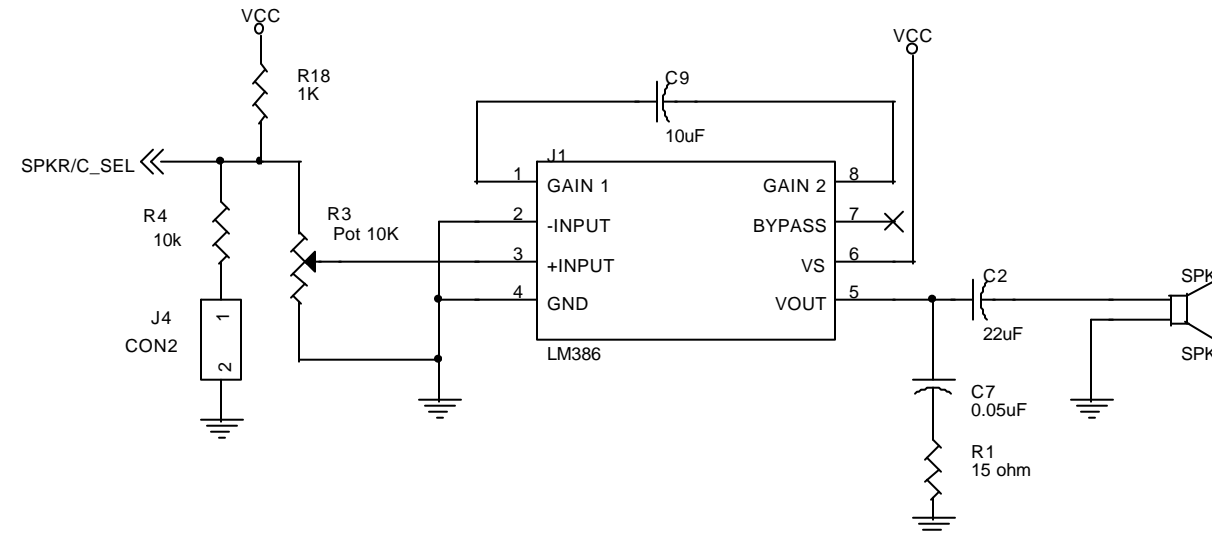
3.3V Volt Regulator



(OPTIONAL)
LED CIRCUIT
ATA MODE ONLY



SPARE 20 PIN



(OPTIONAL)
SPEAKER CIRCUIT

Cirrus Logic, Inc		
3100 West Warren Ave.		
Fremont, CA 94539		
Title POWER CONTROL LOGIC		
Size B	Document Number CL-PD672X-A-DM1-6 DEMO BOARD	Rev 1.6
Date:	Wednesday, July 14, 1999	Sheet 4 of 4

